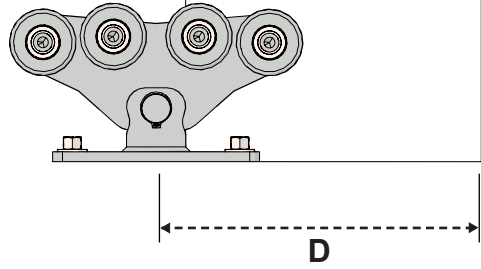


1

SPEED SE; S; SK



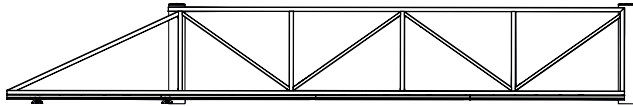
2



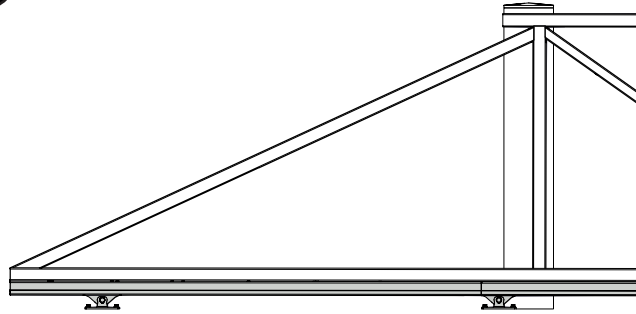
3



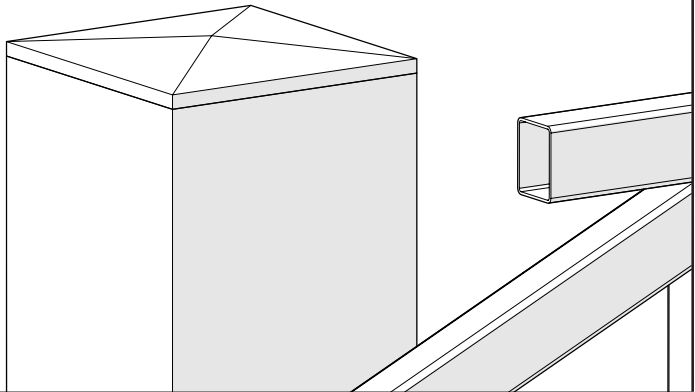
4



5

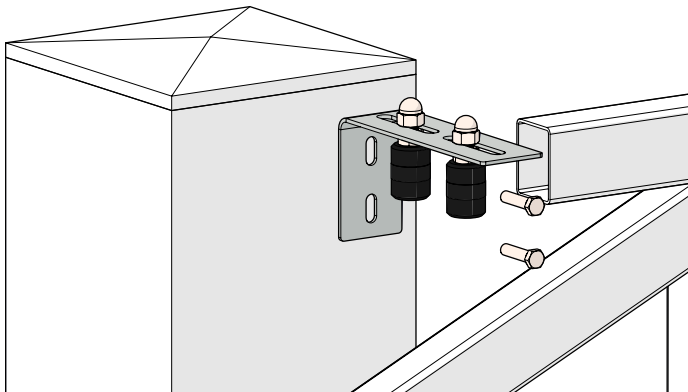


6

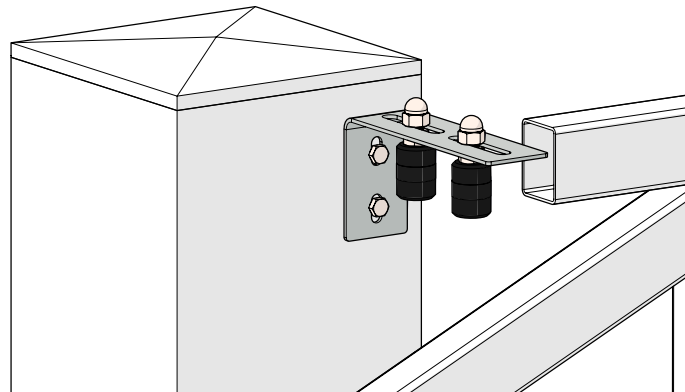


7

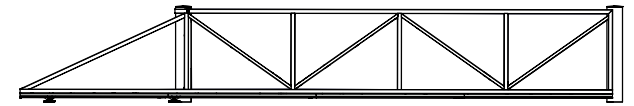
FRS 2

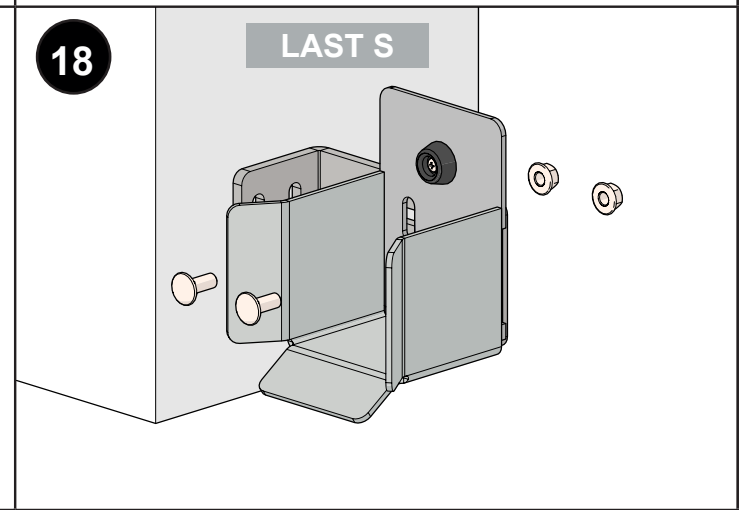
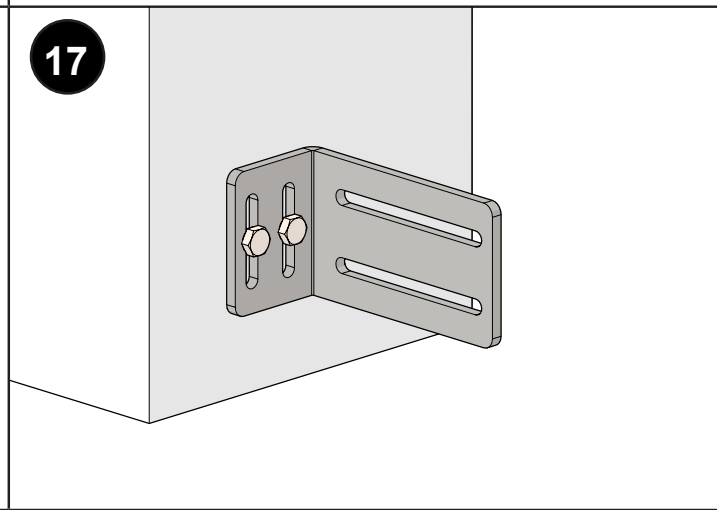
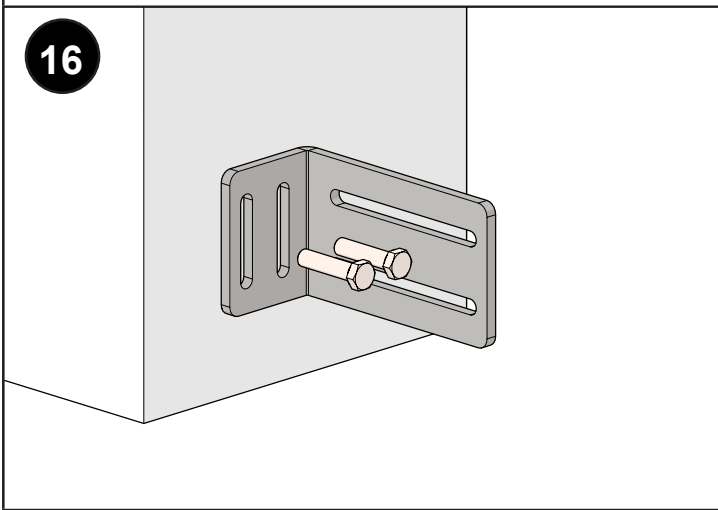
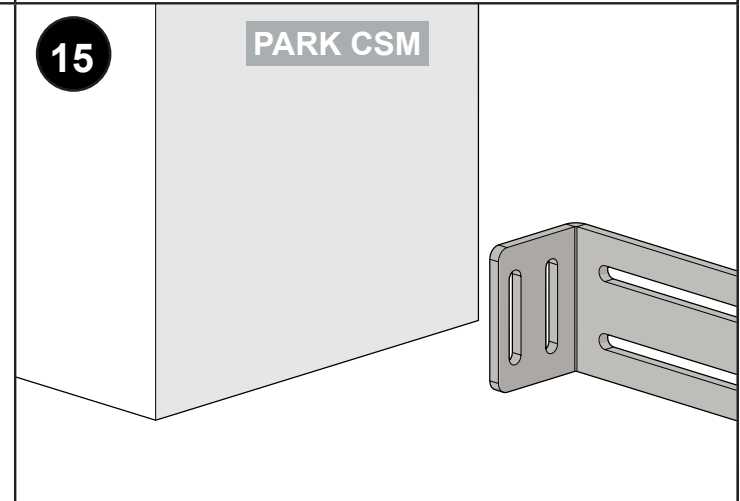
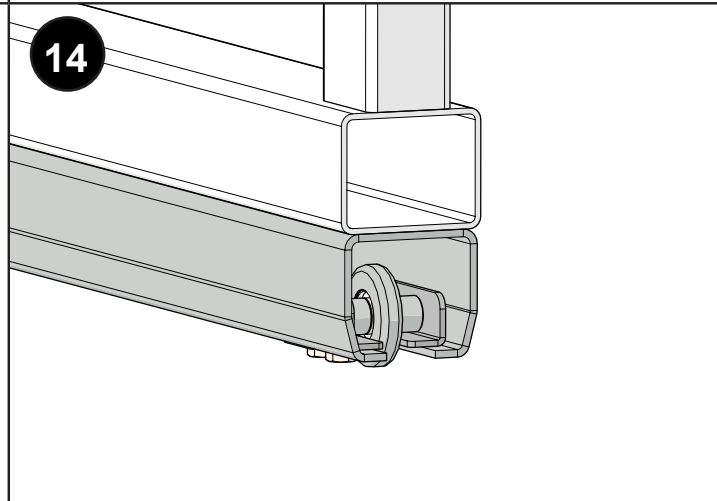
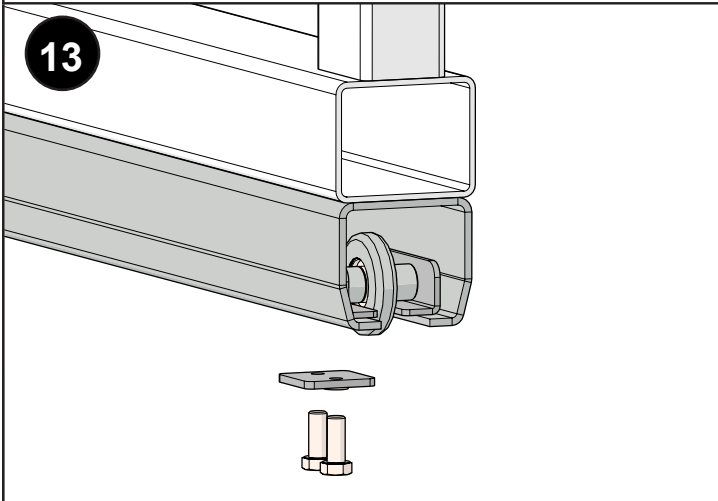
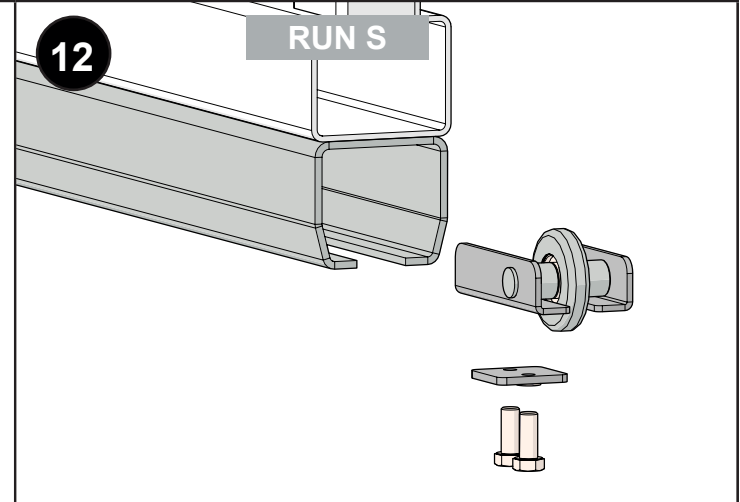
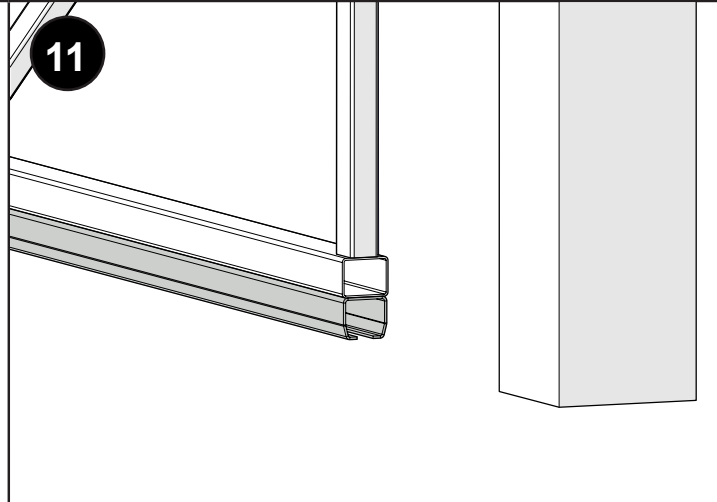
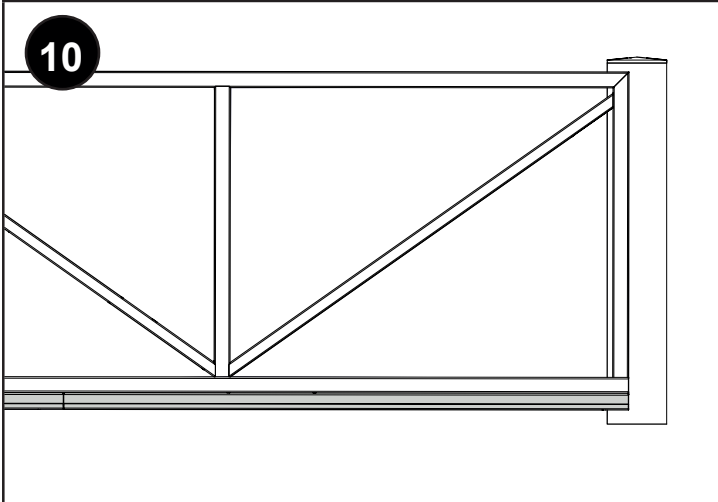


8

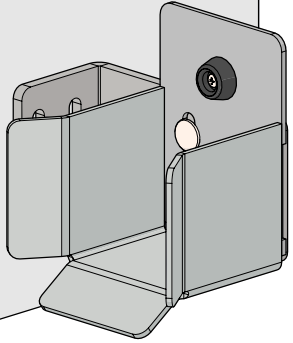


9

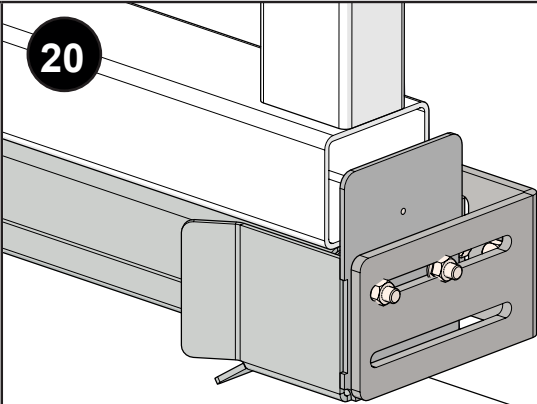




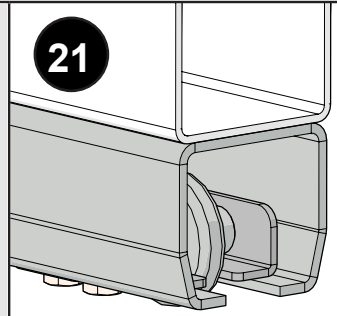
19



20

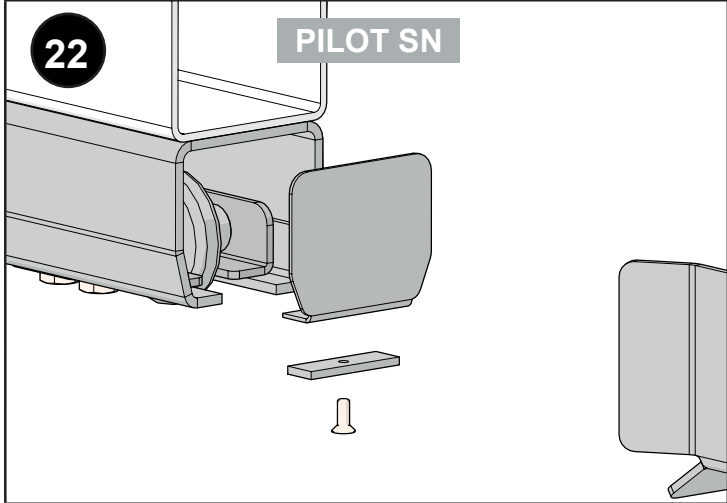


21

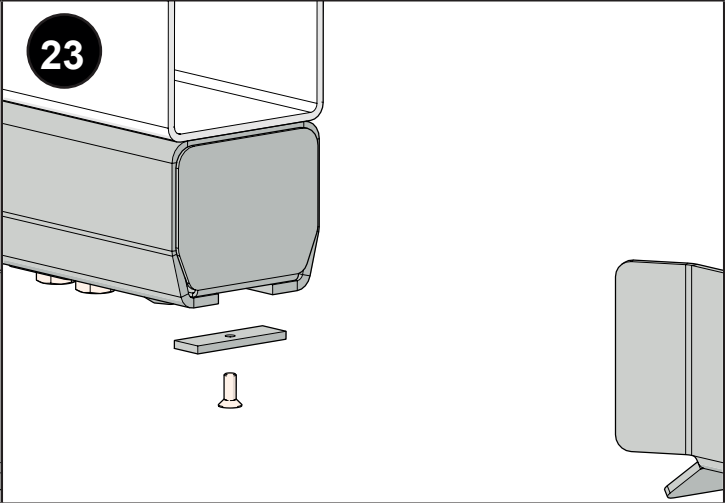


22

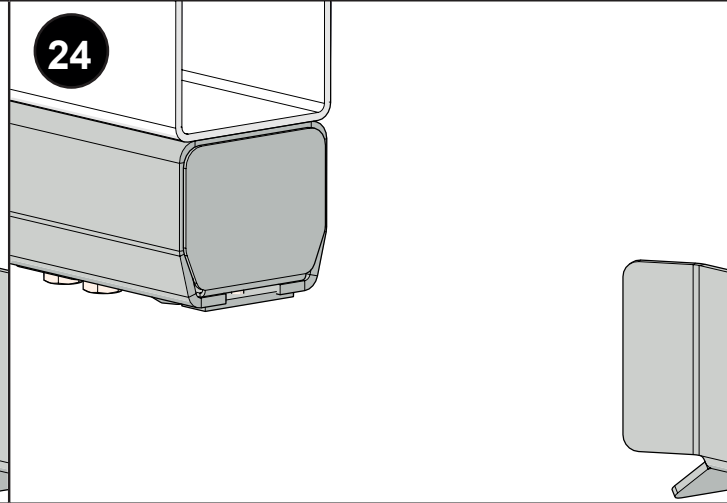
PILOT SN



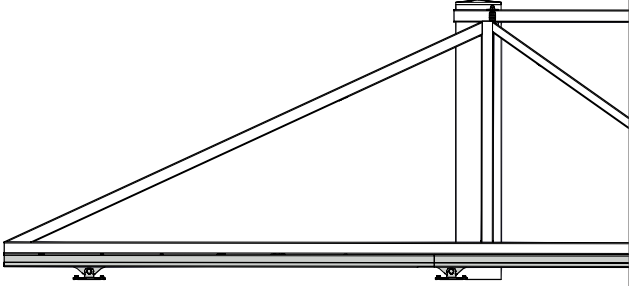
23



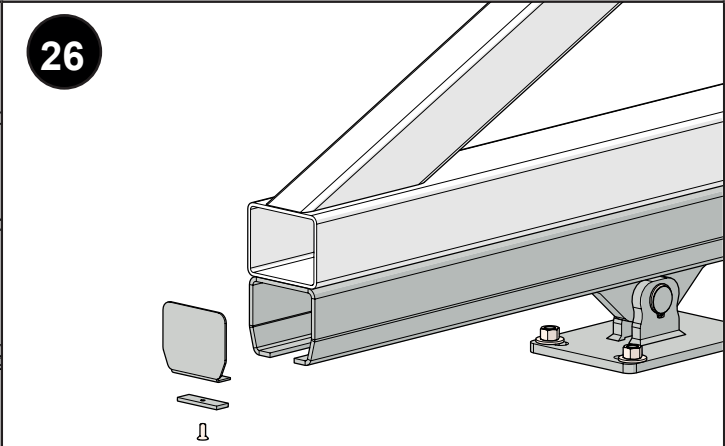
24



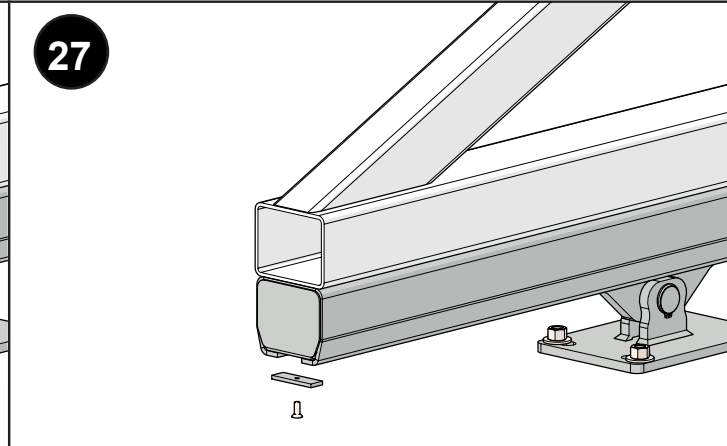
25



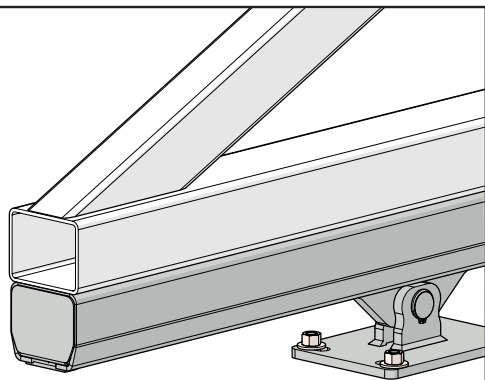
26



27



28



29

