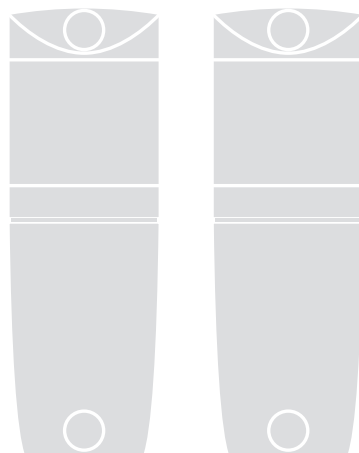


# FT210B



Optical Device



**Installation instructions and warnings**

**Istruzioni ed avvertenze per l'installatore**

**Instructions et avertissements pour l'installateur**

**Anweisungen und Hinweise für den Installateur**

**Instrucciones y advertencias para el instalador**

**Aanwijzingen en aanbevelingen voor de installateur**

**Instrukcje i ostrzeżenia dla instalatora**



## 1) Warnings

This manual contains important information regarding safety during installation, therefore before starting installation, it is important that you read all the information contained herein. Store this manual in a safe place for future use. Due to the dangers which may arise during both the installation and use of the F210B, installation must be carried out in full respect of the laws, provisions and rules currently in force in order to ensure maximum safety.

**According to the most recent European legislation, the automation of a door or gate is governed by the provisions listed in Directive 98/37/CE (Machine Directive) and, more specifically, by provisions: EN 13241-1 (harmonized standard); EN 12445; EN 12453 and EN 12635, which enable to declare the conformity of the product to the machine directive.**

Further information, risk analysis guidelines and how to draw up the Technical Documentation are available at: [www.niceforyou.com](http://www.niceforyou.com)". This manual has been especially written for use by qualified fitters, none of the information provided in this manual can be considered as being of interest to end users!

- The use of F210B which is not explicitly provided for in these instructions is not permitted. Improper use may cause damage and personal injury.
- Do not modify any components unless such action is specified in these instructions. Operations of this kind are likely to lead to malfunctions. NICE disclaims any liability for damage resulting from modified products.
- FT210B must only function through TX-RX direct interpolation. Use through reflection is prohibited.
- Use suitable conductors for the electrical connections as specified in the "installation" chapter.

- Make sure that the electrical power supply and the other use parameters correspond to the values indicated in "technical characteristics" table.
- The manufacture of safety devices for automatic doors and gates is subjected to the following standards:
  - EN 12453 - Industrial, commercial and garage doors and gates. Safety in use of power operated doors - Requirements
  - EN 12978 - Industrial, commercial and garage doors and gates. Safety devices for power operated doors and gates - Requirements and test methods

The installation and connection of the FT210B as a safety device must be performed in compliance to the said standards, if the necessary provisions are not taken, this will be automatically considered as negligence and deliberate abuse!

Particular warnings concerning the suitable use of this product in relation to the 89/336/EEC "Electromagnetic Compatibility" Directive and subsequent modifications 92/31/EEC and 93/68/EEC:

This product has been subjected to tests regarding the electromagnetic compatibility in the most critical of use conditions, in the configurations foreseen in this instructions manual and in combination with articles present in the Nice S.p.a. product catalogue. The electromagnetic compatibility may not be guaranteed if used in configurations or with other products that have not been foreseen; the use of the product is prohibited in these situations until the correspondence to the requirements foreseen by the directive have been verified by those performing the installation.

## 2) Product description and applications

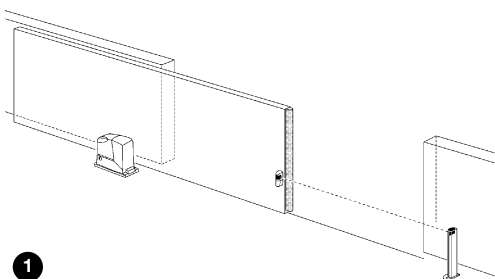
FT210B is a device with "BlueBUS" technology that resolves the problems of electrical connections of sensitive edges on the moving leaf. The device comprises a battery powered infrared beam transmitter (TX) that is positioned on the mobile leaf on which is connected the sensitive edge. In addition to this is a receiver (RX) which is positioned on the fixed section and connected using just 2 wires to all control units and devices with "BlueBUS" technology.

FT210B can be used in 2 different ways:

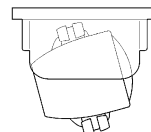
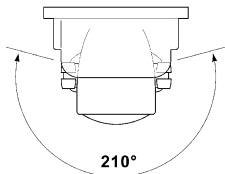
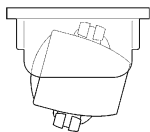
- as part of a pressure sensitive safety device (PSPE) through the control of the sensitive edge status
- as a D type presence sensor (photocell) through the control of the breaking of the infrared beam

In the first case, the 8.2kohm constant resistance type sensitive edge is continually controlled by the transmitter and the activation or deactivation is transmitted to the receiver. The RX receiver translates the information and communicates it to the control unit via the "BlueBUS" network. The transmission between TX-RX and the "BlueBUS" communication between the RX and the control unit is codified by means of high security techniques, such that the entire TX/RX/Control unit system complies to the failsafe category 3 according to the EN 954-1 standard and can therefore be used in EN 12978 standard PSPE systems.

In the second case, if the TX and RX are positioned so that the optical communication takes place through the gap (see figure 1), the device can also be used as a presence sensor (type D according to the EN 12453 standard). In fact, the object that interrupts the beam trips the alarm of the presence sensor, which is sent via BlueBUS in a distinct and separate manner depending on the manner in which the sensitive edge has been activated.



Because the FT210B photocells have a horizontal scope of 210° and a vertical scope of 30°, they can also be applied on uneven surfaces where the correct alignment between TX and RX is not possible (see fig 2).



2

**The FT210B photocell assembled following the instructions and including the TCB65 sensitive edge and control unit with BlueBUS technology, has been certified by the manufacturer as totally or partially conforming to the following standards:**

- EN 954-1 - Machine safety - Parts of the control system related to safety - General design principles
- EN 1760-2 - Machine safety - Pressure sensitive protection devices - General design and test principles for pres-

sure sensitive edges and bars.

- EN 12978 - Industrial, commercial and garage doors and gates. Safety devices for motorised doors and gates - Test methods and Requirements

**⚠ The FT210B does not comprise a complete safety device but is only part of it!**

### 3) Installation

**⚠ The system must be disconnected from the mains power supply during installation. If buffer batteries are present, these must also be disconnected.**

#### 3.1) Preliminary checks

- Check carefully that the use parameters conform to the data indicated in the “technical characteristics” chapter. If in doubt, do not use the product and contact the Nice technical assistance department.

Due to the peculiarity and uniqueness of the product, certain aspects concerning the operating principles must be evaluated before proceeding with the installation in order to ensure maximum safety and functionality.

- The transmitter continuously controls the status of the sensitive edge and transmits the information to the receiver. In order to reduce the consumption of the battery and maintain the required safety level, this operation is performed with 2 different “speeds”: SLOW when the gate is at a standstill; FAST when the gate is moving. The transmitter detects the status of the gate through a special sensor that detects the vibration of the moving gate. As soon as the gate begins to move the transmitter switches to the FAST mode and remains so until the gate is motionless for 10 or 90 seconds (see jumpers JP2 and JP3 in table 1). In order to guarantee the required safety level, the receiver must recognise the gate status, above all to check whether the transmitter SLOW and FAST speed is correct. This control mechanism is performed through the BlueBUS. The control unit sends the gate in movement signals throughout the entire movement, and the receiver controls the correct procedure of the transmitter.
- FT210B has been designed not to interfere with and not to be interfered with by other photocells, meaning that the FT210B can be used along with other photocells, but it is necessary to pay attention that:

1. if photocells with BlueBUS technology are used, the number of photocells to be combined to the FT210B device is

not a problem, as long as they are installed as indicated in Fig. 4, 5 and 6.

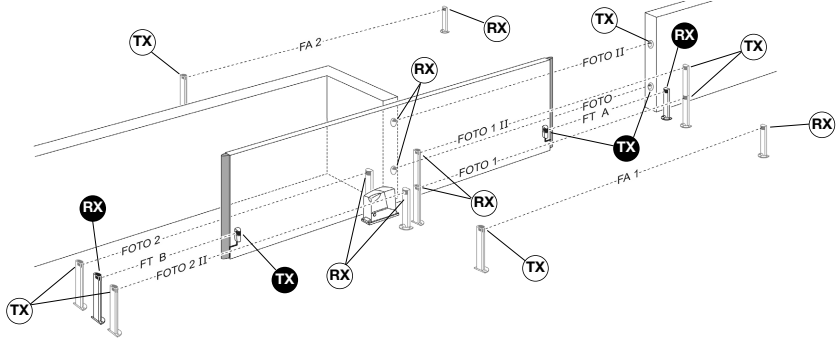
2. if standard NICE photocells are used, functioning with at least one other pair of photocells is guaranteed
3. if photocells are used that are not produced by NICE, functioning may not be guaranteed.

In any case, to check that there are no effects caused by other devices, carefully perform the testing procedure indicated in chapter 4 and check the related signals in table 4.

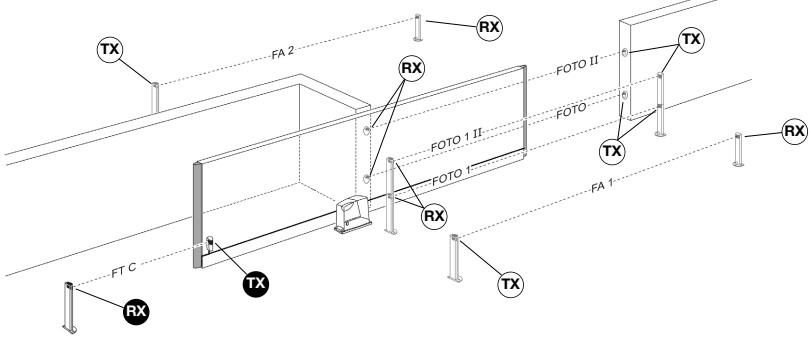
- Two FT210B devices cannot be positioned to cover the same area. If a receiver were to detect the signals of two transmitters, it would switch to the “safety” mode preventing the movement of the gate. See the specific signal in table 4.
- Two FT210B devices can be positioned to cover the front (FT A) and back (FT B) of the same gate, as illustrated in figure 3.
- Two sensitive edges can be fitted, front and back (FT C), to a gate with a single FT210B device, which are connected together in cascade as described in chapter 3.1.1.1. In this case the FT210B device can be used both as a presence detector, by positioning the transmitter and receiver as illustrated in figure 4, or as a simple detector of the sensitive edge status, by positioning the transmitter and receiver as illustrated in figure 5.
- In the case of gates set opposite one another and synchronised in the master-slave mode (with Robus or Run), two FT210B devices (FT B and FT C) can be positioned as illustrated in figure 6. A single sensitive edge can be fitted on each gate or 2 sensitive edges (front and back) that are connected together in cascade as described in chapter 3.1.1.

In all the cases indicated in figures 3, 4, 5 and 6, a JPX jumper must be placed on the receiver (see table 3) in order to obtain the function (FT A; FT B or FT C) as illustrated in the related figures.

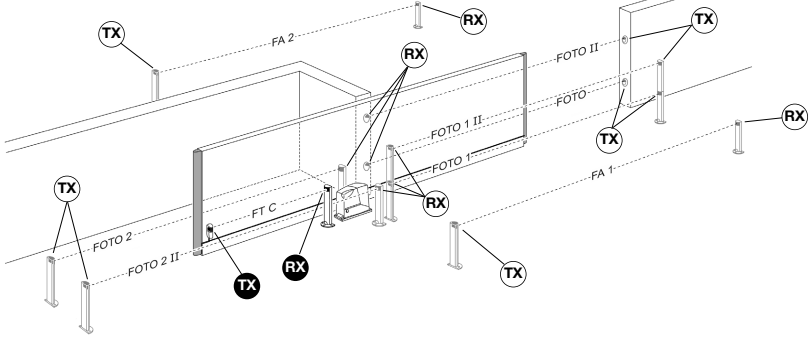
3



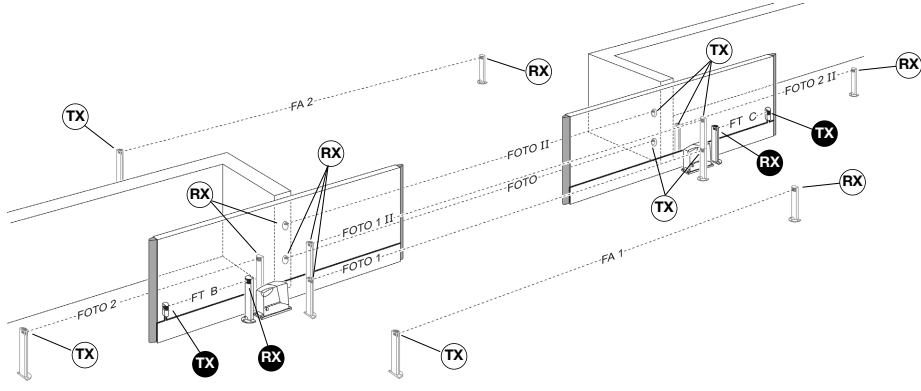
4



5

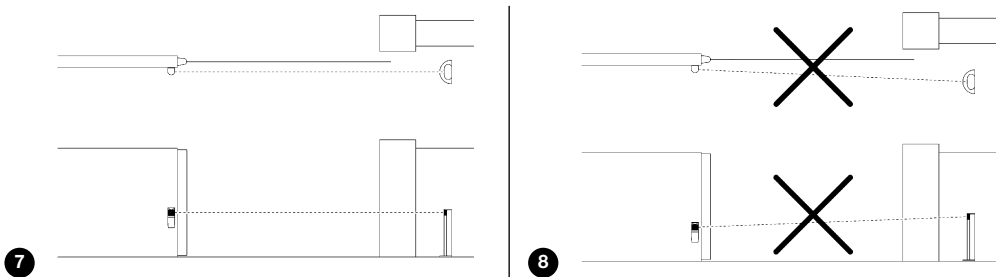


6

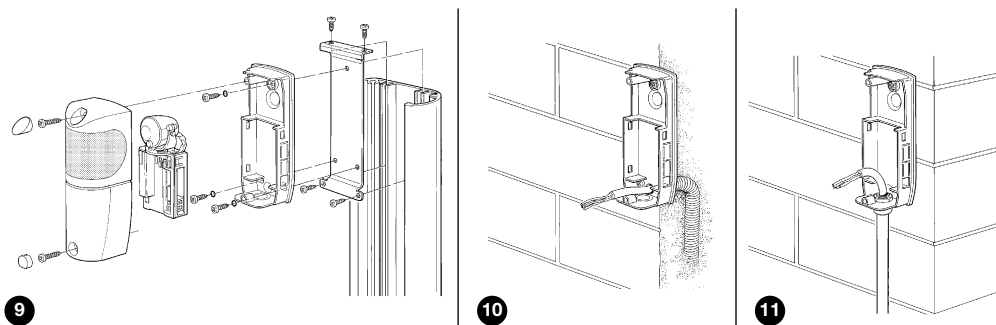


- The FT210B TX transmitter emits a beam with an angle of approximately  $\pm 4^\circ$ , therefore a perfect alignment between TX and RX is necessary that remains intact throughout the entire movement of the gate.

Figure 7 illustrates an example of correct assembly; figure 8 illustrates two examples of incorrect assembly.



- If necessary, the receiver can be fitted on a special MOCF post with related FA2 accessories (see figure 9), or fixed to the wall. If the receiver is fixed to the wall the cables can arrive from the base (see figure 10) or below, in which case it is necessary to use "PG9" type cable clip (see figure 11).



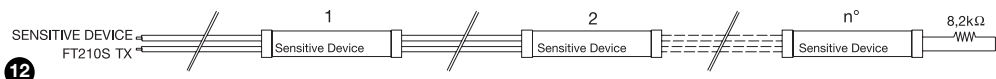
**Table 1: cables list**

Connection	Cable type	Max. length	Description
TX: sensitive edge input	2x0,5mm <sup>2</sup>	20m	Sensitive edge status reading input
RX: "BlueBUS"	2x0,5mm <sup>2</sup>	30m	Connection of the receiver to the "BlueBUS" network of the control unit

### 3.1.1) Connection of 2 or more sensitive edges

The FT210B has only one sensitive edge input, but 2 or more sensitive edges that perform the same function can be cascade connected one after the other as in figure 12 applying a single 8.2K $\Omega$  termination resistance.

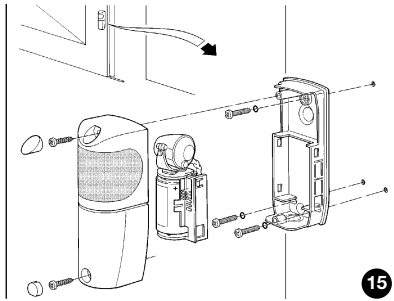
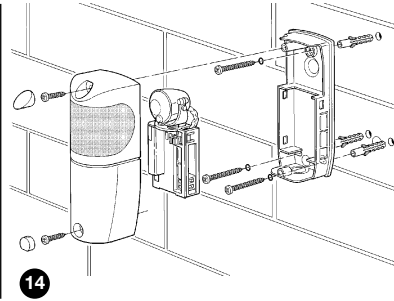
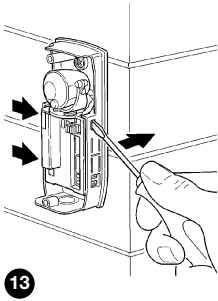
**Warning:** the constant resistance devices must be cascade connected and never in series or parallel to one another!



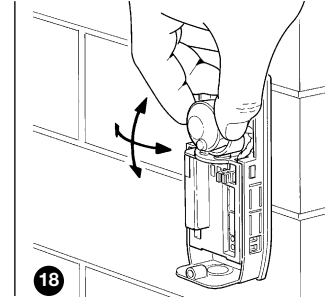
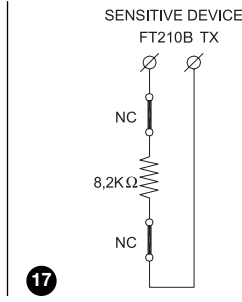
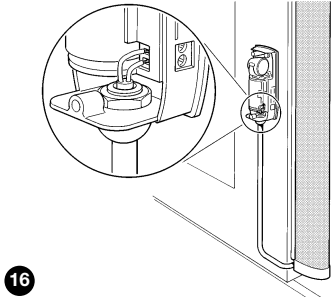
### 3.2) Fixing of the devices

Perform the installation and fixing of the devices following the operations below:

1. To separate the electronic board from the base, use a screwdriver to lever the three clips as indicated in fig. 13.
2. Fix the receiver as shown in fig. 14.
3. Assemble the transmitter on the mobile leaf as shown in figure 15.



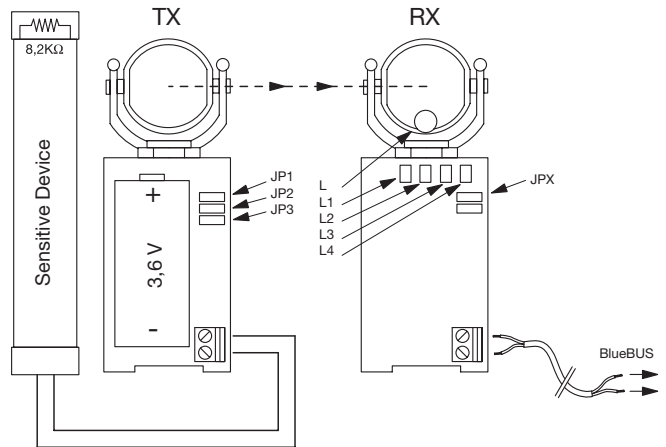
4. Connect the 8.2KΩ constant resistance type sensitive edge on the transmitter as shown in figure 16. The resistance on the TX terminals is removed and used as a termination on the sensitive edge or does not need to be used if the sensitive edge already has a terminating resistance.



If the sensitive edge has an output with 2 separate NC contacts, it can be connected as shown in figure 17 placing the 8.2KΩ resistance in series between the two contacts. Make sure that the sensitive edge complies with the failsafe category 3 according to the EN 954-1 standard.

**Warning:** do not use sensitive edges that have only one NC type contact because they do not have the necessary failsafe category required by the said standard.

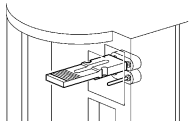
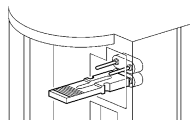
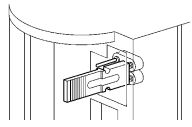
5. Carry out the "BlueBUS" electrical connections on the receiver following that which is indicated in the control unit instructions manual.
6. Direct the lenses as in fig. 18 in order to obtain the correct alignment between the TX and RX. The correct alignment will be verified in chapter 4 "Testing".
7. Program the jumpers on both the TX and RX (see paragraph 19) for the desired function following that indicated in tables 2 and 3.



**Table 2: TX transmitter jumpers**

Jumper	Position	Description
JP1	Connected	Transmitter power suitable for gates up to 15 meters
	Disconnected	Transmitter power suitable for gates up to 7 meters
JP2	Connected	Change over to SLOW transmission after 10 seconds from the end of the manoeuvre (see JP3). (Advised in order to prolong the life of the battery)
	Disconnected	Change over to SLOW transmission after 90 seconds from the end of the manoeuvre (see JP3). (Advised when "refresh pause time", "close immediately after photo" etc type functions are used)
JP3	Connected	Change over to SLOW transmission at the end of the manoeuvre (Advised in order to prolong the life of the battery)
	Disconnected	Never changes over to SLOW transmission but remains in the FAST mode (Advised for gates without vibrations)

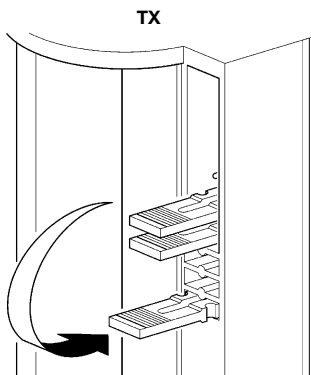
**Table 3: RX receiver jumpers**

Photocell	Functions performed	Jumpers
<b>FT A</b> 1 <sup>st</sup> gap	<ul style="list-style-type: none"> <li>The cutting in of the sensitive edge causes a brief inversion and halt of the movement both in the opening and closing manoeuvre</li> <li>The interruption of the infrared beam during the closing manoeuvre causes the movement to invert; no effect occurs during the opening manoeuvre</li> </ul>	
<b>FT B</b> secondary gap	<ul style="list-style-type: none"> <li>The cutting in of the sensitive edge causes a brief inversion and halt of the movement both in the opening and closing manoeuvre</li> <li>The interruption of the infrared beam during the opening manoeuvre causes the movement to invert; no effect occurs during the closing manoeuvre</li> </ul> <p><b>Warning: SEE NOTE 1</b></p>	
<b>FT C</b> secondary gap	<ul style="list-style-type: none"> <li>The cutting in of the sensitive edge causes a brief inversion and halt of the movement both in the opening and closing manoeuvre</li> <li>If the infrared beam is broken, both during opening and during closing, a slight inversion is caused and the movement is stopped.</li> </ul> <p><b>Warning: SEE NOTE 2</b></p>	

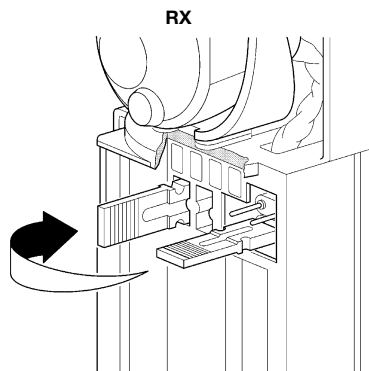
**NOTA 1:** The FT B can also be used on double gates in master-slave mode (see figure 6). In this case the FT B acts in the same way as the FT C: the activation of the sensitive edge or breaking of the infrared beam, both during opening and during closing, causes a slight inversion and the movement to stop.

**NOTA 2:** The FT C can also be used on single gates (see figures 4 and 5) where two sensitive edges are used on the front and back.

8. Place the jumpers that have not been used in the specific location for future use (see figures 20 and 21).



20



21

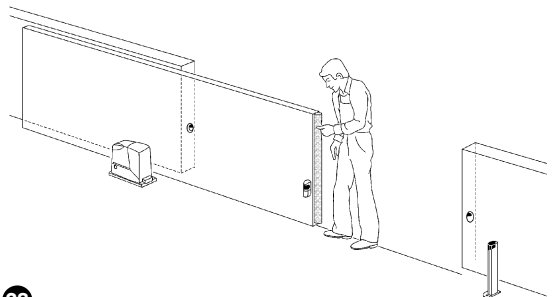
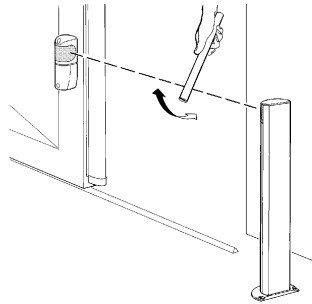


## 4) Testing

Each individual component of the automation system requires a specific testing phase. Perform the following sequence of operations for the testing of the FT210B. If there are two FT210B devices (see figures 3 and 4), the sequence is repeated for each device.

**Warning:** some points require that the gate is in movement for the control; as the automation MAY not be adequately SAFE, the maximum attention must be given during these controls.

1. Make sure that all that is foreseen in the present manual, in particular chapters 1 "Warnings" and 3 "Installation" is fully abided by.
2. Release and fully open the gate leaf so that the TX is at the maximum possible distance from the RX.
3. Make sure that there are no obstacles between the TX and the RX.
4. If already connected, disconnect the receiver from the "BlueBUS" and remove the battery from the transmitter.
5. Disconnect the sensitive device from the TX terminals and measure the resistance of the device with an ohmmeter, checking that the value is between 7700Ω and 8700Ω (nominal 8200Ω).
6. Push the sensitive edge to activate it and measure once again the resistance. Check that the resistance is lower than 1000Ω or higher than 16500Ω.
7. Reconnect the sensitive device to the TX terminals
8. Reconnect the receiver to the "BlueBUS" and perform the recognition of the devices connected to the "BlueBUS" from the control unit.
9. Check that the L1 (Ir Level) L2 (Phototest Ko) and L3 (Sensitive Device Ko) LEDs are on. Check that the L4 LED (Sensitive Device Ok) is off (see figure 23).
10. Remove the JP3 jumper on the TX so that it always transmits in the FAST mode.
11. If the distance between the TX and the RX exceeds 7m check that the JP1 jumper on the TX is connected (this meaning programmed for distances up to 15m).
12. Insert the FTA1 or FTA2 battery into the TX (see figure 29 or 30).
13. Check that the L1 (Ir level) LED on the RX receiver flashes; the L2 (Phototest Ko) LED and the L4 (Sensitive device Ok) LEDs are on and that the L3 (Sensitive device Ko) LED is off.
14. If necessary, improve the alignment by directing the TX and RX lenses as shown in figure 18. By performing the L1 (Ir level) L1D signal the speed of the flashing is less and the alignment is greater. The adjustment is at its best when the L1 LED flashes slowly at a maximum of 3 flashes a second.
15. Repeat the test by placing the upper protective shells both on the TX as well as on the RX. Remember that the RX shell has an attenuator filter that simulates the adverse weather conditions that may occur during use.
16. Move the gate leaf along the entire movement and check, through the flashes of the L1 LED, that the alignment remains above the optimum.
17. To check the optical presence sensor (type D) of the FT210B, and to make sure that there is no interference with other devices, pass a 50 mm diameter cylinder across the optical axis, first near the TX, then near the RX and finally between the two (see figure 22) and make sure that in all cases the device is triggered, switching from the active status to the alarm status (LED L1 ON) and vice versa;
18. To check the PSPE pressure sensitive device of the FT210B, push and release the sensitive edge as shown in figure 23 and check that the L4 LED turns off and that the L3 LED turns on and vice versa.
19. If this is the preferred program, connect the JP3 jumper on the TX so that the transmission changes over to SLOW a few seconds after the movement has finished.
20. If the operation in the previous point has been performed; check that the transmitter changes over to SLOW after the foreseen time has past (see JP2 in table 2). The transmission in the SLOW mode can be recognised through four short flashes of the L1 LED followed by a pause.



21. Mechanically connect the leaf to the motor and perform a manoeuvre of the gate. In the meantime, check that the L2 LED turns off at the beginning of the manoeuvre, indicating that the vibration sensor test of the moving gate has been performed correctly.

22. Perform various gate manoeuvres and check that the opening and closing are correctly performed without the inversion of the movement.

23. Perform further manoeuvres and activate the optical presence detector, as illustrated in point 17, during the closing manoeuvre (if "FT A" function) or the opening manoeuvre (if "FT B" function) or both (if "FT C" function) and ensure that a short inversion occurs and the movement stops.

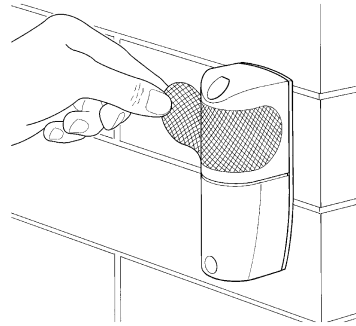
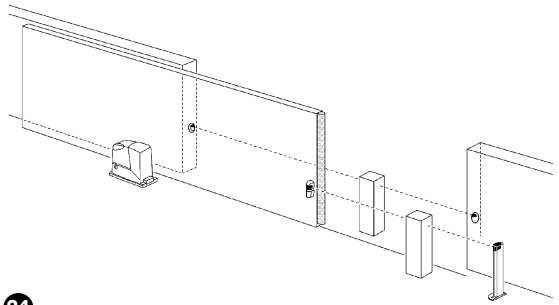
24. Perform additional manoeuvres and during the closure activate the sensitive edge as indicated in point 18 and check that the foreseen action is performed such as the inversion of the movement.

25. The control of the FT210B optical presence sensor (type D) according to the EN 12445 standard, is performed with the 700x300x200mm test parallelepiped with 3 opaque black faces and 3 polished white or mirrored faces as indicated in figure 24 and according to chapter 7 of the EN 12445:2000 standard (or enclosure A of prEN12445:2005).

26. The control of the PSPE pressure sensitive device of the FT210B according to the EN 12445 standard, is performed by measuring the force at the points foreseen in chapter 5 of the EN 12445 standard, if the hazardous situations, which have been caused by the movement of the leaf have been safeguarded through the limitation of the impact force (type C).

27. After having checked all the previous points, remove the attenuator filter from the glass of the RX receiver as illustrated in figure 25.

28. Make sure that all casings of the various devices are closed when testing is complete.



## 5) Additional information

Personalisation and how to look for and deal with faults on the FT210B will be dealt with in this chapter.

### 5.1) Example of the FT210B used as a presence detector only

The FT210B can be used as a simple type D presence sensor (photocell) without having to connect to the sensitive edge. In this case it is necessary to:

1. Perform the assembly as indicated in paragraph "Installation" without connecting the sensitive edge and leaving the 8200Ω resistance connected to the TX input.
2. Insert the "JP3" jumper of the transmitter so that the transmissions are always in the FAST mode.
3. Address the receiver jumpers based on the area of the gate where the FT210B is to be placed (figure 3) and following table 3

**Note:** The FAST transmission mode reduces the battery life of the transmitter. In this case the estimated life of a C type battery (FTA1 kit) is as follows:

- approximately 24 months for gates up to 7m (JP1 jumper of the TX disconnected)
- approximately 18 months for gates up to 15m (JP1 jumper of the TX connected)

**5.2) Example of the FT210B used as a presence detector only**

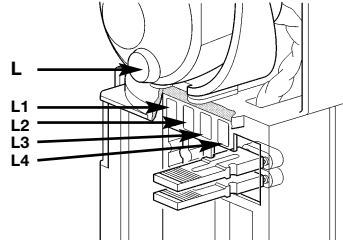
In the event that the FT210B is used as a sensitive edge status detector only, therefore without the presence detector function, the photo device should be installed as illustrated in figures 5 and 6.

In this case it is necessary to:

1. Perform the assembly as illustrated in the "Installation" paragraph.
2. Set the jumpers on the TX as required, see Table 2.
3. Set the JPX jumper on the RX (see Table 3) in order to obtain the "FT B" or "FT C" functions illustrated in the figure.

**5.3) Signals**

The FT210B receiver has various LED signals (see figure 26) that give luminous signals based on the operational status.



26

Table 4: Signal		
LED L (red)	Cause	Action
2 short flashes Pause 2 short flashes	TX flat battery signal	Replace the transmitter battery as soon as possible with another of the same type
Led L1 (red) IR Level	Cause	Action
Regular flash	The rate of the flash indicates the quality of the reception: the slower the flash the greater the reception.	Everything Ok if the flash is slow: maximum 3 per second, otherwise the alignment of the TX and RX must be checked
On	The receiver does not receive any infrared signals from the TX	Remove the obstacle or improve the TX and RX alignment
2 short flashes pause 2 short flashes	Incorrectly function device	The FT210B photo device has an improper function. Set the receiver jumper correctly as illustrated in table 3
3 short flashes pause 3 short flashes	The control unit does not recognise the device	Repeat the recognition procedure from the control unit. Make sure that all FT210B photo devices have different functions.
4 short flashes pause 4 short flashes	The transmitter is in the SLOW mode	Everything Ok if the gate is not moving
5 short flashes pause 5 short flashes	The receiver receives interference from unrecognisable infrared signals	An unknown transmitter is sending a signal towards the receiver, try to remove the interference; check the alignment of all devices present
7 short flashes pause 7 short flashes	The receiver receives the infrared signal from a second FT210B transmitter	Eliminate the second transmitter. Two FT210B transmitters cannot be positioned in the same area.
Led L2 (yellow) Fototest KO	Cause	Action
On	Signals an error during the test at the beginning of the manoeuvre and the transmitter is not changed over to the FAST mode	Possible poor functioning of the movement sensor
Off	The test at the beginning of the last manoeuvre was correct	Everything Ok
Led L3 (red) Sensitive Device KO	Cause	Action
On	The sensitive edge that is connected to the transmitter is active	Check the reason the edge was activated
Off	The sensitive edge connected to the transmitter is not active	Everything Ok
Led L4 (green) Sensitive Device OK	Cause	Action
On	The sensitive edge connected to the transmitter is not active	Everything Ok
Off	The sensitive edge that is connected to the transmitter is active	Check the reason the edge was activated

### 5.3) Troubleshooting

Table 5 gives possible indications on how to deal with malfunctions that may be met during installation or due to a fault.

Table 5: Fault diagnostics	
Symptoms	Advisable checks
The gate cannot be controlled; all the LEDs on the FT210B receiver are off	Check if the receiver is correctly connected to the "Blue-BUS"
The gates starts to move but stops after 1 second; LED 2 (yellow) is on	The outcome of the test at the beginning of the manoeuvre was negative and there is a possible fault in the TX movement sensor of the gate
The gate stops during the manoeuvre or the manoeuvre is inverted; the LED L1 (red) is constantly on	Check for possible obstacles or the alignment of the TX and RX through the entire movement of the gate
The gate stops during the movement or the manoeuvre is inverted; the LED L3 (red) is on and the LED L4 (green) is off.	The sensitive edge has cut-in. Remove the possible obstacle or check that the sensitive edge is working correctly
Sometimes the gate stops during the movement or the manoeuvre is inverted; the LED L1 flashes rapidly when the gate is open	Check the alignment between the TX and RX throughout the entire movement of the gate
Sometimes the gate stops during the movement or the manoeuvre is inverted; sometimes it blocks completely and cannot be controlled; the LED L (red) continues to make 2 short flashes	The TX battery is flat and communication between the TX and RX does not occur when conditions are poor. The flashing LED L (red) indicates that the battery needs changing

## 6) Maintenance

The FT210B does not require any particular maintenance, however a control should be performed at least once every six months to check the integrity of photocells FT210B (presence of dampness, rust, etc), cleaning of the external casing and testing as described in chapter 4 "Testing". FT210B photocells have been designed to function under normal conditions for at least 10 years, therefore maintenance should be performed more frequently once this period has expired.

Replace the transmitter battery if the voltage of the battery is lower than 2.7V immediately after a complete manoeuvre (when the transmission is in the FAST mode).

## 7) Disposal

As for the installation, the disposal of the product at the end of its effective life, must be performed by qualified personnel.

This product is made of various types of material, some of which can be recycled while others must be disposed of. Enquire about the recycling or disposal systems available for this product category in compliance with regulations locally in force.

**Warning:** some parts of the product may contain polluting or hazardous substances that, if incorrectly disposed of, could have a damaging effect on the environment or on the health of individuals.

As indicated by the symbol in figure 27, this product must not be disposed of in household waste. Perform "separated collection" for disposal in compliance with regulations locally in force, or return the product to the manufacturer when purchasing a replacement.

Heavy fines may be imposed by local laws for the illegal disposal of this product.

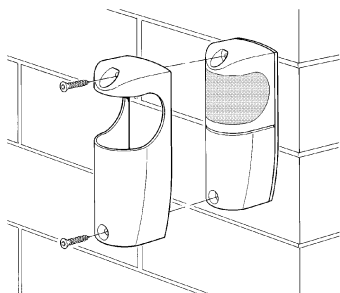
**Warning:** the product operates with batteries that could contain polluting substances and therefore should not be disposed of along with household waste. After they have been removed from the product (see paragraph "Battery replacement" in chapter "FT210B installation instructions and warnings") they should be disposed of in compliance with the legislations locally in force.



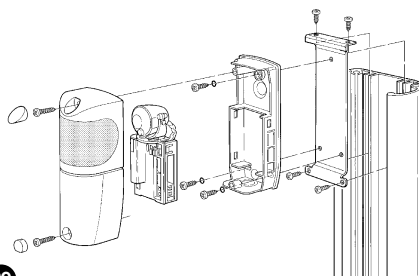
## 8) Accessories

The following accessories are available:

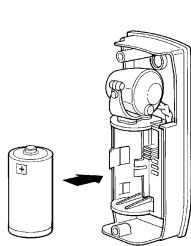
- FA1: metal vandal-proof casing, fitted as in fig. 28
- FA2: fixing brackets for "MOCF" posts, fitted as in fig. 29
- FTA1: 3.6V battery; 7Ah type C, fitted as in figure 30
- FTA2: 3.6V battery; 2Ah type AA, fitted as in figure 31



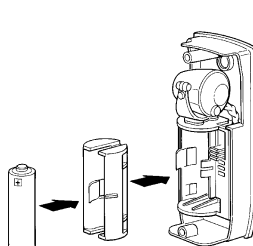
28



29



30



31

## 9) Technical characteristics

In order to improve its products, NICE S.p.a. reserves the right to modify the technical characteristics at any time without prior notice. In any case, the manufacturer guarantees their functionality and fitness for the intended purposes. Note: all technical characteristics refer to a temperature of 20°C.

FT210B technical characteristics	
Product Type	Device for the optical status transmission of a constant resistance sensitive edge positioned on the moving part, comprising a battery powered infrared transmitter (TX) that is positioned on the moving leaf, to which the sensitive edge is connected, and a receiver (RX) positioned on the fixed part.
Adopted technology	TX-RX direct optical interpolation with modulated and coded infrared beam
Receiver power supply	The device can only be connected to "BlueBus" networks from which it is powered and sends the output signals.
Receiver absorbed power	0.5 Blue bus unit
Transmitter power supply	3.6V with type C or AA lithium battery
Transmitter battery life (with JP3 on)	Estimated at approx. 15 years with the type C battery, 7Ah capacity; ("residential" use: TX-RX distance up to 7m; with 20 manoeuvres per day of 90°) Estimated at approx. 5.5 years with the type C battery, 7Ah capacity; ("industrial" use: TX-RX distance up to 15m; with 200 manoeuvres per day of 90°) Estimated at approx. 6 years with the type AA battery, 2Ah capacity; ("residential" use: TX-RX distance up to 7m; with 20 manoeuvres per day of 90°)
Device input range Sensitive (Rs)	Typical 8.2KΩ; +22%/-65% for the on status (ON) ON limits: with Rs > 2.870 and Rs < 10.010. OFF limits: with Rs < 2.590. or Rs > 11.060.
Type D presence sensor detection capacity	Opaque objects located on the optical axis between TX and RX, larger than 50 mm and moving slower than 1.6m/s
TX transmission angle	+/- 4° (value taken at 50% of the capacity)
RX reception angle	+/- 3° (value taken at 50% of the capacity)
Directional capacity	approx. 210° on the horizontal axis and 30° on the vertical axis
Useful range	7m or 15m (with JP1 inserted on TX) for maximum TX-RX misalignment ± 2° (the range may be further reduced in the presence of particularly intense atmospheric conditions: fog, rain, snow, dust, etc.)
Maximum range (under optimum conditions)	15m or 30m (with JP1 inserted on TX) for maximum TX-RX misalignment ± 2°
Presence sensor response time	< 96ms (typical 65ms) with 1 pair of MOFB photocells connected together with the FT210B
Sensitive edge response time	< 64ms (typical 50ms)
Failsafe category	3 (according to the EN 954-1 standard)
Use in acid, saline or potentially explosive atmosphere	No
Assembly	RX: vertically wall mounted or on "MOCF" posts with "FA2" bracket TX: directly on the gate with the supplied screws
Protection class casing	IP44
Operating temperature	-20 ÷55°C
Dimensions	46 x 128 h 45mm
Weight	Receiver: 135g. transmitter 165g with FTA1 or 140g with FTA2

# FT210B installation instructions and warnings



GB

These instructions can be incorporated with the "Instructions and warnings for the use of the automation" which the installer must give the owner of the automation, and must be incorporated by them.

- **Maintenance:** Like any machine, your automation needs regular periodic maintenance to ensure its long life and total safety. Arrange a periodic maintenance schedule with your installation technician. Nice recommends that maintenance checks should be carried out every six months for normal domestic use, but this interval may vary depending on the intensity of use. Only qualified personnel are authorized to carry out checks, maintenance operations and repairs.
- Do not modify the system or its programming and adjustment parameters in any way, even if you feel capable of doing it: your installation technician is responsible for the system.
- The final test, the periodic maintenance operations and any repairs must be documented by the person who has performed them; these documents must remain under the custody of the owner of the system.
- The only recommended maintenance operations that the user can perform periodically concern the cleaning of the photocell glasses and the removal of leaves and debris that may impede the automation. To prevent anyone from activating the gate, release the automation system and use a slightly damp cloth to clean.
- Disposal: At the end of its useful life, the automation must be dismantled by qualified personnel, and the materials must be recycled or disposed of in compliance with the legislation locally in force.

### Replacement of the FT210B transmitter battery

The transmitter on the mobile leaf of the gate has a special 3.6V lithium battery that, depending on the use conditions, has an estimated life of various years. A signal is given a few months before the battery is completely flat in order to give ample time for replacement.

It is time to change the battery if the **receiver** on the fixed section (on the wall as in figure A or on the post as in figure B) gives the following signal: **2 short flashes followed by a 1 second pause.**

The battery is housed in the **transmitter** on the gate leaf; for replacement:

- 1) Remove the screw caps as in figure C
- 2) Unscrew the screws that hold the cover and remove it as in figure C
- 3) Use a screwdriver to lever out the flat battery
- 4) Wait about 10 seconds before introducing the new battery
- 5) Make sure the polarity is correct; the plus is at the top
- 6) Introduce the battery as in figure D or E depending on the type used
- 7) Secure the cover with the screws and replace the caps

**Warning:** the product operates with batteries that could contain polluting substances and therefore should not be disposed of along with household waste. After they have been removed from the product (see paragraph "Battery replacement" in chapter "FT210B installation instructions and warnings") they should be disposed of in compliance with the legislations locally in force.

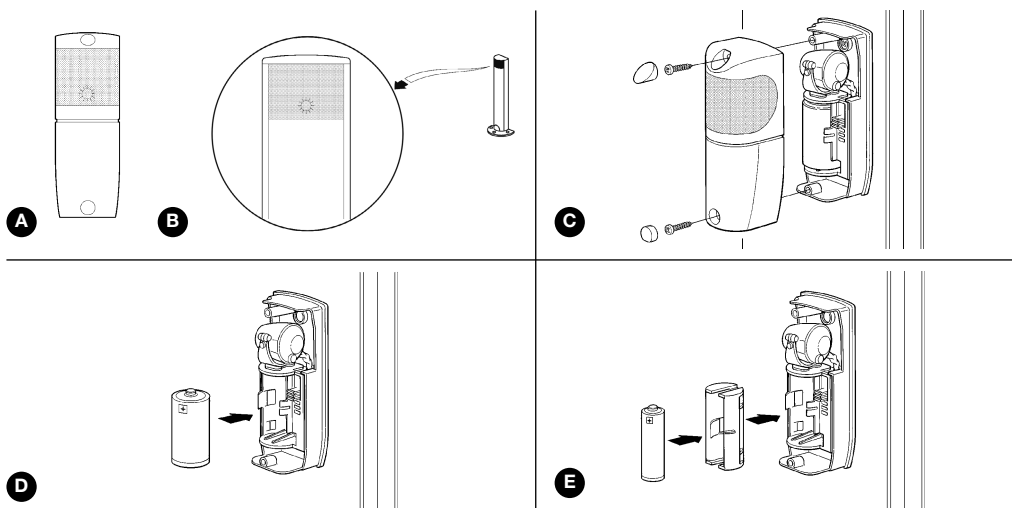


There are 2 types of battery:

- FTA1: 3.6V battery; 7Ah type C, fitted as in figure D
- FTA2: 3.6V battery; 2Ah type AA, fitted as in figure E

**Caution: batteries used in this product are not normal alkaline versions.**

**Contact Nice s.p.a. to request the spare battery kits "FTA1" or "FTA2".**







## 1) Avvertenze

Questo manuale d'istruzioni contiene importanti informazioni riguardanti la sicurezza per l'installazione, è necessario leggere tutte le istruzioni prima di procedere all'installazione. Conservare con cura questo manuale anche per utilizzi futuri. Considerando i pericoli che si possono verificare durante l'installazione e l'uso di FT210B, per la massima sicurezza è necessario che l'installazione avvenga nel pieno rispetto di leggi, norme e regolamenti.

**Secondo la più recente legislazione europea, l'automazione di una porta o cancello ricade in quanto previsto dalla Direttiva 98/37/CE (Direttiva Macchine) e nel particolare, alle norme: EN 13241-1 (norma armonizzata); EN 12445; EN 12453 ed EN 12635, che consentono di dichiarare la conformità alla direttiva macchine.**

Ulteriori informazioni, linee guida all'analisi dei rischi ed alla realizzazione del Fascicolo Tecnico, sono disponibili su: "www.niceforyou.com". Il presente manuale è destinato solamente al personale tecnico qualificato per l'installazione, nessuna altra informazione contenuta nel presente fascicolo può essere considerata d'interesse per l'utilizzatore finale!

- L'uso di FT210B diverso da quanto previsto in queste istruzioni è vietato; usi impropri possono essere causa pericoli o danni a persone e cose.
- Non eseguire modifiche su nessuna parte se non previste nelle presenti istruzioni; operazioni di questo tipo possono solo causare malfunzionamenti; NICE declina ogni responsabilità per danni derivati da prodotti modificati.
- FT210B deve funzionare esclusivamente per interpolazione diretta TX-RX; è vietato l'uso per riflessione.
- Per i collegamenti elettrici utilizzare conduttori adeguati come riportato nel capitolo "installazione".

- Accertarsi che l'alimentazione elettrica e gli altri parametri d'utilizzo corrispondano ai valori riportati nella tabella "caratteristiche tecniche".
- La realizzazione di dispositivi di sicurezza per porte e cancelli automatici è sottoposta alle seguenti normative:
  - EN 12453 Porte e cancelli industriali, commerciali e da autorimessa. Sicurezza in uso di porte motorizzate - Requisiti
  - EN 12978 - Porte e cancelli industriali, commerciali e da garage. Dispositivi di sicurezza per porte e cancelli motorizzate - Requisiti e metodi di prova.

L'installazione ed il collegamento di FT210B con lo scopo di realizzare un dispositivo di sicurezza, senza soddisfare i requisiti di queste norme corrisponde a negligenza e deliberato abuso!

Avvertenze particolari sull'idoneità all'uso di questo prodotto in relazione alla Direttiva "Compatibilità Elettromagnetica" 89/336/CEE e successiva modifiche 92/31/CEE e 93/68/CEE:

Questo prodotto è stato sottoposto alle prove relative alla compatibilità elettromagnetica nelle situazioni d'uso più critiche, nelle configurazioni previste in questo manuale di istruzioni ed in abbinamento con gli articoli presenti nel catalogo prodotti di Nice S.p.a. Potrebbe non essere garantita la compatibilità elettromagnetica se il prodotto è usato in configurazioni diverse o con altri prodotti non previsti; è vietato l'uso del prodotto in queste situazioni finché chi esegue l'installazione non abbia verificato la rispondenza ai requisiti previsti dalla direttiva.

## 2) Descrizione del prodotto e destinazione d'uso

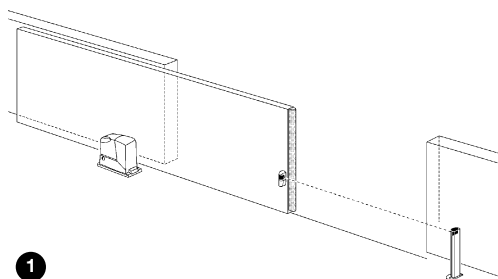
FT210B è un dispositivo con tecnologia "BlueBUS" che consente di risolvere il problema dei collegamenti elettrici di bordi sensibili posti su ante in movimento. E' composto da un trasmettitore a raggi infrarossi (TX), alimentato con batteria a lunga durata, che va posto sull'anta mobile nel quale viene collegato il bordo sensibile. A questo si aggiunge un ricevitore (RX) posto nella parte fissa ed collegato tramite solo 2 fili a tutte le centrali e dispositivi dotati di tecnologia "BlueBUS".

FT210B consente 2 possibilità di utilizzo:

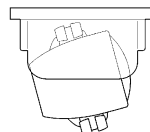
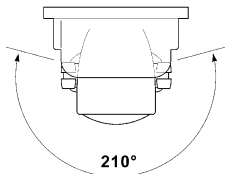
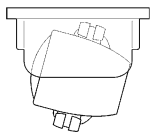
- come parte di un dispositivo di sicurezza sensibile alla pressione (PSPE), tramite la verifica dello stato del bordo sensibile
- come rilevatore di presenza di tipo D (fotocellula) tramite la verifica dell'interruzione del raggio infrarosso

Nel primo caso, il bordo sensibile, di tipo a resistenza costante 8,2kohm, viene verificato continuamente dal trasmettitore e lo stato di attivazione o meno viene inviato al ricevitore. Il ricevitore RX interpreta l'informazione ricevuta e la comunica alla centrale tramite la rete "BlueBUS". La trasmissione tra TX-RX e la comunicazione "BlueBUS" tra RX e centrale sono codificate con tecniche ad alta sicurezza tale che l'intero sistema TX/RX/Centrale risponde alla categoria 3 di sicurezza ai guasti secondo la norma EN 954-1 ed è quindi utilizzabile in sistemi PSPE conformi alla norma EN 12978.

Nel secondo caso, se TX ed RX vengono posti in modo che la comunicazione ottica avvenga attraverso il varco (vedi figura 1), il dispositivo può essere utilizzato anche come rilevatore di presenza (tipo D secondo la norma EN 12453); infatti, un oggetto che interrompe il raggio provoca il passaggio allo stato di allarme del rilevatore di presenza, che viene inviato via BlueBUS in modo distinto e separato dallo stato di attivazione del bordo.



Con la possibilità d'orientamento di 210° sull'asse orizzontale e 30° sull'asse verticale, FT210B è utilizzabile anche dove superfici di fissaggio impedirebbero un corretto allineamento tra TX e RX (vedi figura 2).



2

**Il fotodispositivo FT210B assemblato come da istruzioni e completo di apposito bordo sensibile TCB65 e centrale di comando con tecnologia "BlueBUS", è stato certificato dal produttore risultando conforme totalmente o parzialmente per le parti applicabili alle seguenti normative:**

- EN 954-1 Sicurezza del macchinario - Parti dei sistemi di comando legate alla sicurezza - Principi generali per la progettazione.

- EN 1760-2 Sicurezza del macchinario - Dispositivi di protezione sensibili alla pressione - Principi generali per la progettazione e la prova di bordi e barre sensibili alla pressione.
- EN 12978 - Porte e cancelli industriali, commerciali e da garage. Dispositivi di sicurezza per porte e cancelli motorizzate - Requisiti e metodi di prova.

**⚠ Il solo FT210B non è un dispositivo di sicurezza completo ma solo una parte di esso!**

### 3) Installazione

**⚠ Tutte le operazioni d'installazione vanno eseguite in assenza di tensione all'impianto; nel caso sia presente la batteria tampone, è necessario scolgarla.**

#### 3.1) Verifiche preliminari

- Verificare attentamente che i parametri di utilizzo siano concordi con i dati riportati nel capitolo "caratteristiche tecniche". In caso di dubbio non utilizzare il prodotto e richiedere chiarimenti al servizio di assistenza tecnica di Nice.

Vista la particolarità ed unicità del prodotto, prima di procedere con l'installazione occorre valutare alcuni aspetti relativi al principio di funzionamento in modo da ottenere la massima sicurezza e funzionalità.

- Il trasmettitore verifica continuamente lo stato del bordo sensibile ed invia l'informazione al ricevitore. Per ridurre il consumo della batteria e mantenere comunque la sicurezza richiesta, questa attività viene svolta con 2 diverse "velocità": LENTO quando il cancello è fermo; VELOCE quando il cancello è in movimento. Il trasmettitore riconosce lo stato del cancello attraverso uno speciale sensore che rileva le vibrazioni del cancello in movimento. Non appena il cancello inizia il movimento il trasmettitore passa in modalità VELOCE e vi rimane fino a quando il cancello rimane fermo per 10 o 90 secondi (vedere ponticelli JP2 e JP3 in tabella 1). Per garantire il livello di sicurezza richiesto, il ricevitore deve conoscere lo stato del cancello, soprattutto per verificare se la modalità LENTO o VELOCE del trasmettitore è corretta. Questo meccanismo di controllo avviene attraverso "BlueBUS"; durante tutta la manovra, la centrale invia la segnalazione di cancello in movimento e il ricevitore verifica la modalità corretta del trasmettitore.
- FT210B è stato studiato per non provocare disturbi ad altre fotocellule e per non essere disturbato da esse; questo significa che FT210B può essere abbinato con altre fotocellule; ma occorre porre attenzione che:
  1. se si utilizzano fotocellule con tecnologia BlueBUS, non vi sono problemi sul numero di fotocellule da abbinare al

fotodispositivo FT210B, purché installate come indicato in fig. 4, 5 e 6.

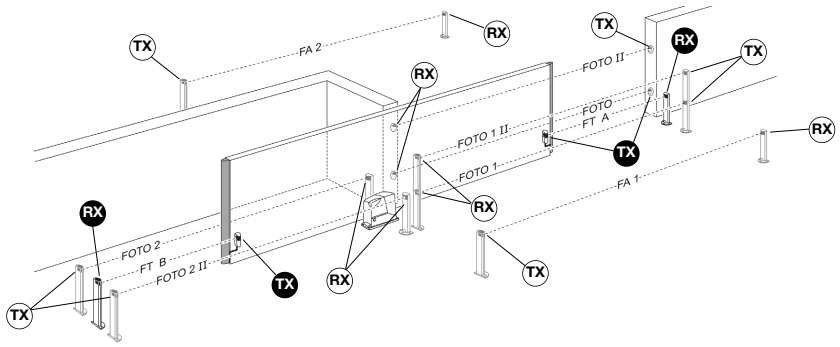
2. se si utilizzano fotocellule tradizionali prodotte da NICE, è garantito il funzionamento con almeno un'altra coppia di fotocellule
3. se si utilizzano fotocellule tradizionali non prodotte da NICE, il funzionamento potrebbe non essere garantito.

In ogni caso, per verificare che non vi siano influenze con altri dispositivi eseguire scrupolosamente la procedura di collaudo prevista nel capitolo 4 e verificare la specifica segnalazione in tabella 4.

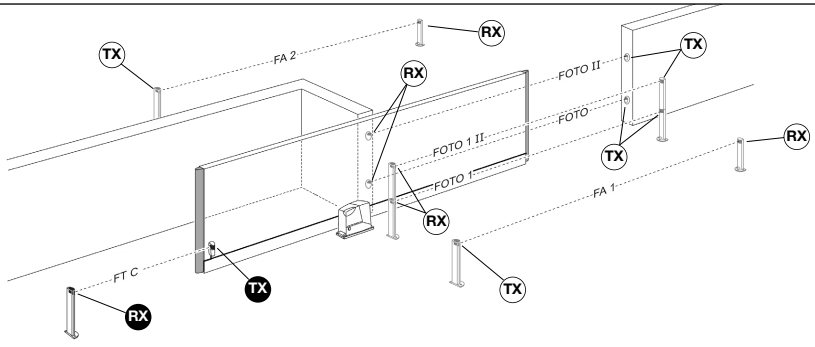
- Non possono essere posti due dispositivi FT210B per controllare la stessa area; se un ricevitore dovesse rilevare il segnale di due trasmettitori si metterebbe nello stato di "sicurezza" impedendo il movimento del cancello. Vedere la specifica segnalazione in tabella 4.
- Si possono porre due dispositivi FT210B per controllare la parte anteriore (FT A) e posteriore (FT B) di uno stesso cancello, come indicato in figura 3.
- Su un'anta con un solo FT210B possono essere montati 2 bordi sensibili, anteriore e posteriore (FT C), che andranno collegati tra loro in cascata come descritto nel capitolo 3.1.1. In questo caso è possibile utilizzare FT210B sia come rivelatore di presenza ponendo trasmettitore e ricevitore come indicato in figura 4; oppure come semplice rivelatore dello stato del bordo sensibile ponendo trasmettitore e ricevitore come indicato in figura 5.
- Nel caso di ante contrapposte e sincronizzate in modalità master-slave (con Robus o Run) è possibile porre 2 dispositivi FT210B (FT B e FT C) come indicato in figura 6. Su ogni anta può essere montato 1 bordo sensibile oppure 2 bordi sensibili (anteriore e posteriore) che andranno collegati tra loro in cascata come descritto nel capitolo 3.1.1.

In tutti i casi indicati nelle figure 3, 4, 5 e 6 occorre porre il ponticello JPX sul ricevitore (vedere tabella 3) esattamente per ottenere la funzione (FT A; FT B o FT C) come indicato nelle rispettive figure.

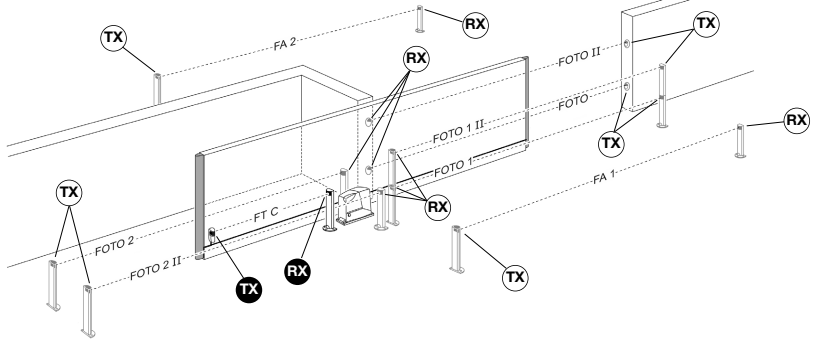
3



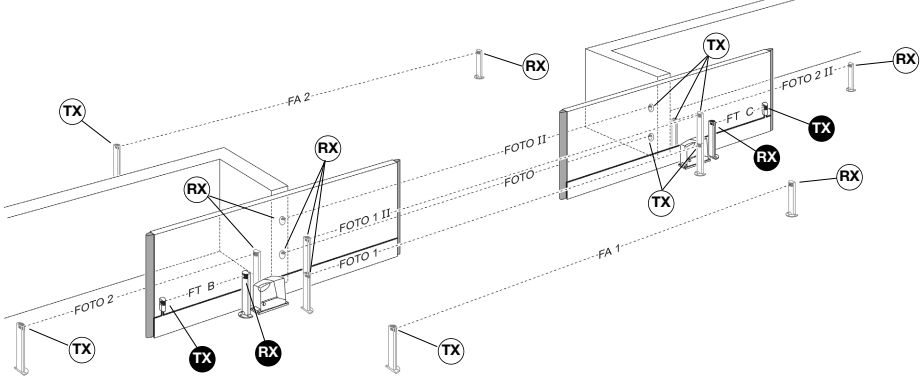
4



5

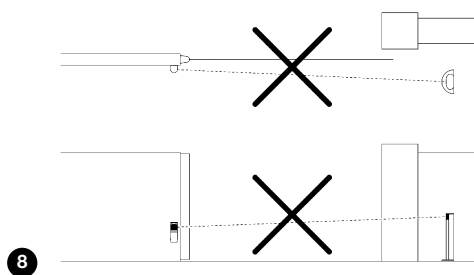
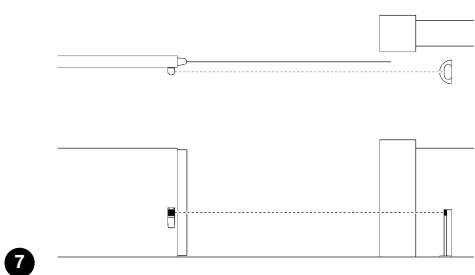


6

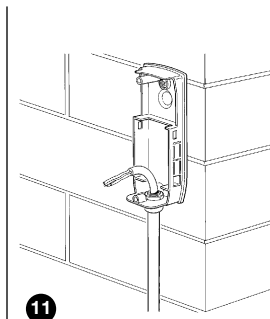
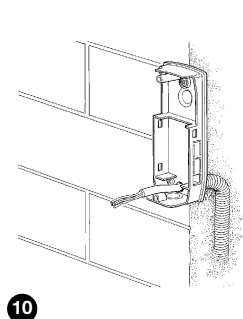
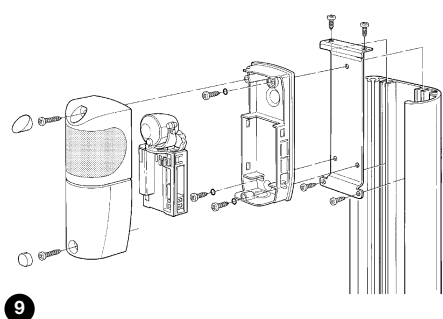


- Il trasmettitore TX della FT210B emette un raggio con un angolo di circa  $\pm 4^\circ$  è quindi necessario un perfetto allineamento tra TX ed RX che deve rimanere costante lungo tutta la corsa del cancello.

In figura 7 è riportato un montaggio corretto; in figura 8 sono riportati due esempi di montaggio errato.



- A seconda delle necessità, il ricevitore può essere installato su apposita colonnina MOCF con lo specifico accessorio FA2 (vedere figura 9) oppure fissato a muro. Se il ricevitore è fissato a muro, l'ingresso del cavo può avvenire dal fondo (vedere figura 10) oppure dal basso; in questo caso è necessario aggiungere un pressacavo di tipo "PG9" (vedere figura 11).



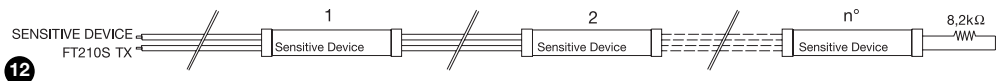
**Tabella 1: elenco cavi**

Collegamento	Tipo cavo	Lunghezza massima	Descrizione
TX: ingresso bordo sensibile	2x0,5mm <sup>2</sup>	20m	Ingresso per lettura stato del bordo sensibile
RX: "BlueBUS"	2x0,5mm <sup>2</sup>	30m	Collegamento del ricevitore alla rete "BlueBUS" delle centrali di comando

**3.1.1) Collegamento di 2 o più bordi sensibili**

Il trasmettitore di FT210B dispone di un solo ingresso per bordi sensibili, ma due o più dispositivi sensibili che svolgano la stessa funzione, possono essere collegati in cascata l'uno dopo l'altro come in figura 12 ponendo una sola resistenza da 8,2kohm. di terminazione.

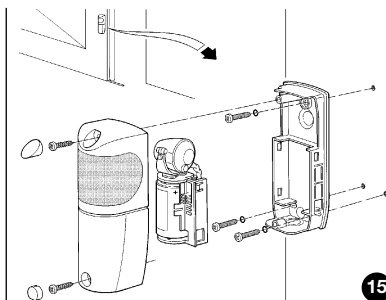
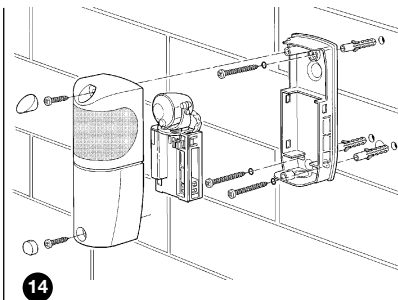
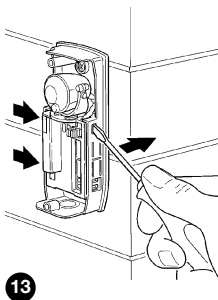
**Attenzione:** i dispositivi a resistenza costante devono essere collegati in cascata e mai in serie o in parallelo tra loro!



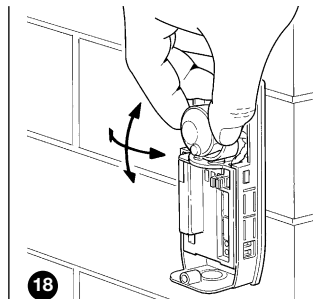
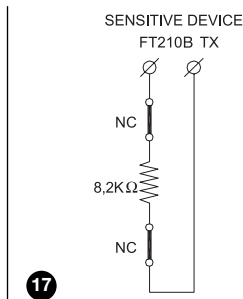
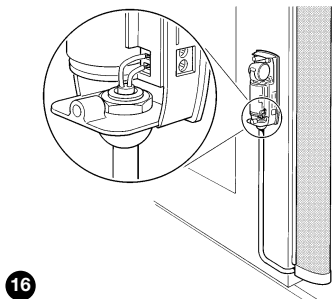
### 3.2) Fissaggio dei dispositivi

Eseguire l'installazione ed il fissaggio dei dispositivi secondo la seguente sequenza di operazioni:

1. Per facilitare le operazioni di fissaggio è possibile separare la scheda elettronica dal fondo facendo leva con un cacciavite nei tre incastri come indicato in figura 13.
2. Effettuare il fissaggio del ricevitore come indicato in figura 14.
3. Montare il trasmettitore sull'anta mobile come indicato in figura 15.



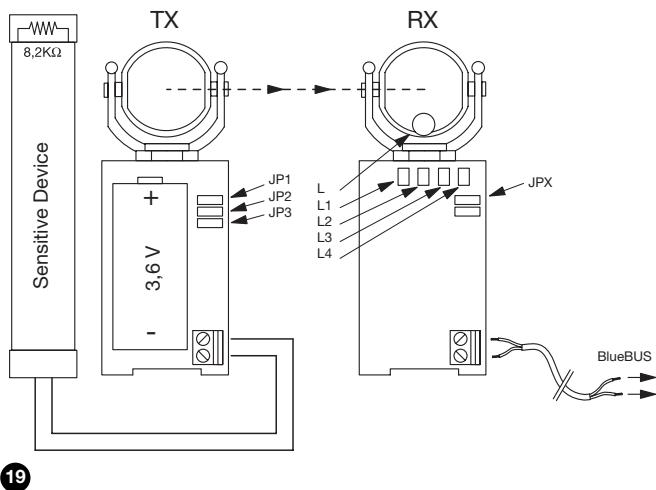
4. Sul trasmettitore eseguire il collegamento elettrico del bordo sensibile, di tipo a resistenza costante 8,2Kohm, come indicato in figura 16. La resistenza presente sui morsetti del TX va rimossa ed utilizzata come terminazione del bordo sensibile oppure può essere non usata nel caso il bordo disponga di una propria resistenza di terminazione.



Nel caso il bordo sensibile disponga di uscita con 2 contatti NC disponibili separatamente è possibile collegarlo come indicato in figura 17 ponendo la resistenza da 8,2Kohm in serie tra i due contatti. Verificare che il costruttore del bordo sensibile dichiari almeno la categoria 3 di sicurezza ai guasti secondo la norma EN 954-1.

**Attenzione:** non utilizzare bordi sensibili che hanno come uscita un singolo contatto di tipo NC, non avrebbero la categoria di resistenza ai guasti richiesta dalle normative.

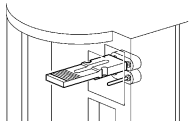
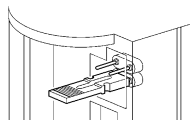
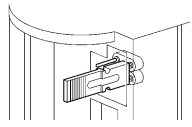
5. Sul ricevitore eseguire i collegamenti elettrici a "BlueBUS" secondo quanto riportato nel manuale di istruzioni della centrale di comando.
6. Orientare le lenti come indicato in figura 18 in modo da ottenere il migliore allineamento possibile tra TX e RX. Il corretto allineamento verrà poi verificato nel capitolo 4 "Collaudo".
7. Programmare i ponticelli presenti sia su TX che su RX (vedere figura 19) per il funzionamento desiderato secondo quanto indicato nelle tabelle 2 e 3.



**Tabella 2: ponticelli sul trasmettitore TX**

Ponticello	Posizione	Descrizione
JP1	Inserito	Potenza del trasmettitore adatta per cancelli fino a 15 metri
	Disinserito	Potenza del trasmettitore adatta per cancelli fino a 7 metri
JP2	Inserito	Commuta in trasmissione LENTA dopo 10 secondi al termine della manovra (vedere anche JP3) (Consigliato al fine di prolungare la durata della batteria)
	Disinserito	Commuta in trasmissione LENTA dopo 90 secondi al termine della manovra (vedere anche JP3) (Consigliato quando si utilizzino funzioni tipo "rinfresco tempo pausa", "Richiudi subito dopo foto", ecc.)
JP3	Inserito	Al termine della manovra commuta in trasmissione LENTA (Consigliato al fine di prolungare la durata della batteria)
	Disinserito	Non commuta mai in trasmissione LENTA ma rimane sempre in modo VELOCE (Consigliato su cancelli privi di vibrazioni)

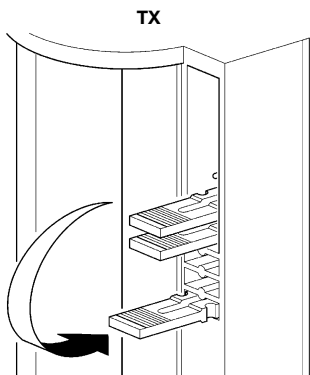
**Tabella 3: ponticelli sul ricevitore RX**

Fotodispositivo	Funzioni eseguite	Ponticelli
<b>FT A</b> Varco principale	<ul style="list-style-type: none"> <li>L'intervento del bordo sensibile, sia nella manovra di apertura che di chiusura, provoca una breve inversione e l'arresto del movimento.</li> <li>L'interruzione del raggio infrarosso nella manovra di chiusura provoca l'inversione del movimento; nella manovra di apertura non ha alcun effetto.</li> </ul>	
<b>FT B</b> varco secondario	<ul style="list-style-type: none"> <li>L'intervento del bordo sensibile, sia nella manovra di apertura che di chiusura, provoca una breve inversione e l'arresto del movimento.</li> <li>L'interruzione del raggio infrarosso nella manovra di apertura provoca l'inversione del movimento; nella manovra di chiusura non ha alcun effetto.</li> </ul> <p><b>Attenzione: VEDI NOTA 1</b></p>	
<b>FT C</b> varco secondario	<ul style="list-style-type: none"> <li>L'intervento del bordo sensibile, sia nella manovra di apertura che di chiusura, provoca una breve inversione e l'arresto del movimento.</li> <li>L'interruzione del raggio infrarosso, sia nella manovra di apertura che di chiusura, provoca una breve inversione e l'arresto del movimento.</li> </ul> <p><b>Attenzione: VEDI NOTA 2</b></p>	

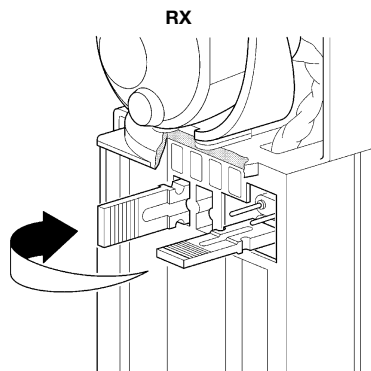
**NOTA 1:** FTB può essere utilizzato anchè nei cancelli a due ante in modalità master-slave (vedere figura 6). In questo caso, FT B ha lo stesso comportamento di FT C: l'intervento del bordo sensibile o l'interruzione del fascio infrarosso, sia nella manovra di apertura che di chiusura, provoca una breve inversione e l'arresto del movimento.

**NOTA 2:** FTC può essere utilizzato anche nei cancelli ad anta singola (vedere figure 4 e 5) dove vengono posti 2 bordi sensibili, anteriore e posteriore.

8. Per utilizzi futuri, riporre gli eventuali ponticelli non usati nello specifico vano (vedere figure 20 e 21).



20



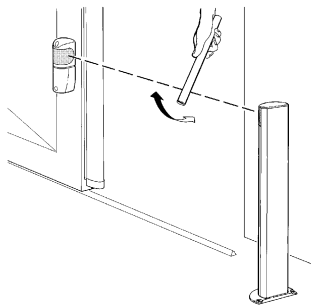
21

## 4) Collaudo

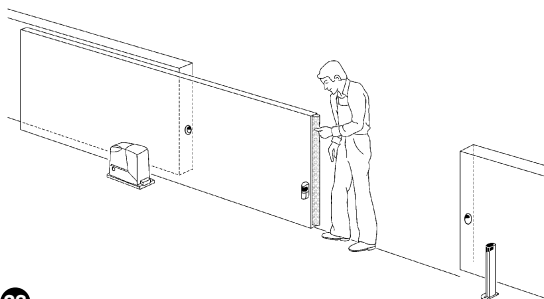
Ogni singolo componente dell'automatismo, richiede una specifica fase di collaudo. Per il collaudo di "FT210B" eseguire la seguente sequenza di operazioni. Nel caso siano presenti 2 dispositivi FT210B (vedere figure 3 e 4), la sequenza va ripetuta per ogni dispositivo.

**Attenzione:** in alcuni punti sono richieste delle verifiche con il cancello in movimento; poiché l'automazione POTREBBE non essere adeguatamente SICURA occorre porre la massima attenzione nel fare queste verifiche.

1. Verificare che sia stato rispettato rigorosamente tutto quanto previsto nel presente manuale ed in particolare nei capitoli 1 "Avvertenze" e 3 "Installazione"
2. Sbloccare ed aprire completamente l'anta del cancello; in modo di porre il TX alla massima distanza dall'RX.
3. Verificare che non vi sia alcun ostacolo tra TX ed RX.
4. Se già collegato, scollegare il ricevitore da "BlueBUS" e togliere la batteria al trasmettitore.
5. Scollegare il dispositivo sensibile dai morsetti del TX e con un ohmetro misurare il valore della resistenza del dispositivo e verificare che il valore sia compreso tra  $7700\Omega$  e  $8700\Omega$  (nominale  $8200\Omega$ ).
6. Premere per attivare il bordo sensibile e misurare nuovamente il valore della resistenza; verificare che il valore sia minore di  $1000\Omega$  oppure superiore a  $16500\Omega$ .
7. Ricollegare il dispositivo sensibile ai morsetti del TX
8. Ricollegare il ricevitore a "BlueBUS" ed eseguire, nella centrale di comando, l'apprendimento dei dispositivi collegati a "BlueBUS".
9. Verificare che i led L1 (Ir Level) L2 (Fototest Ko) ed L3 (Sensitive Device Ko) siano accesi; verificare che il led L4 (Sensitive Device Ok) sia spento (vedere figura 23).
10. Togliere il ponticello JP3 sul TX in modo che questo trasmetta sempre in modalità VELOCE.
11. Se la distanza tra TX ed RX supera i 7m verificare che il ponticello JP1 sul TX sia inserito (quindi programmato per distanze fino a 15m).
12. Nel TX inserire la batteria FTA1 oppure FTA2 (vedere figure 29 o 30).
13. Nel ricevitore RX verificare che il led L1 (Ir Level) lampeggi; che i led L2 (Fototest Ko) ed L4 (Sensitive Device Ok) siano accesi e che il led L3 (Sensitive Device Ko) sia spento.
14. Se necessario migliorare l'allineamento intervenendo sull'orientamento delle lenti del TX e del RX, come indicato in figura 18. Seguire la segnalazione del led L1 (Ir Level) minore è la velocità del lampeggio e migliore è l'allineamento; la regolazione ottimale si ha quando il led L1 lampeggia lentamente, massimo 3 lampeggi al secondo.
15. Ripetere la prova ponendo i gusci di protezione superiore sia su TX che su RX. Da notare che sul guscio dell'RX, c'è un filtro attenuatore che simula le condizioni climatiche avverse che si potranno verificare durante l'uso.
16. Spostare l'anta del cancello lungo tutta la corsa e verificare con il lampeggio del led L1 che l'allineamento rimanga sempre ottimale.
17. Nella verifica di FT210B nella parte relativa al rilevatore di presenza ottico (tipo D); ed in particolare che non ci siano interferenze con altri dispositivi, passare un cilindro di diametro 50mm sull'asse ottico prima vicino al TX, poi vicino al RX e infine al centro tra i due (vedi figura 22) Verificare che in tutti i casi il dispositivo intervenga passando dallo stato di attivo a quello di allarme (led L1 acceso) e viceversa;
18. Per la verifica di FT210B nella parte relativa al dispositivo sensibile alla pressione PSPE premere e rilasciare il bordo sensibile come indicato in figura 23 verificare che il led L4 si spenga e si accenda il led L3 e viceversa.
19. Se questa è la programmazione preferita, inserire il ponticello JP3 sul TX in modo che alcuni secondi dopo il termine del movimento la trasmissione commuti in modalità LENTA.
20. Nel caso sia stata eseguita l'operazione descritta al punto precedente; verificare che trascorso il tempo previsto (vedere JP2 in tabella 2) il trasmettitore commuti in modalità LENTA. La trasmissione in modalità LENTA si riconosce perché il led L1 fa ripetutamente quattro lampeggi brevi seguiti da una pausa.

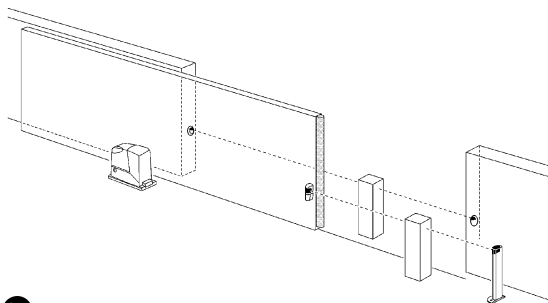


22

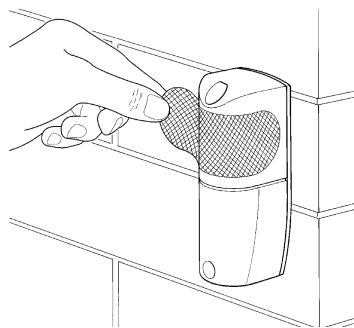


23

21. Agganciare meccanicamente l'anta al motore ed eseguire una manovra comandata del cancello. Verificare nel frattempo che all'inizio della manovra il led L2 si spenga indicando che il test del sensore che rileva le vibrazioni del cancello in movimento è andato a buon fine.
22. Eseguire varie manovre comandate del cancello e verificare che l'apertura e la chiusura avvengano correttamente e senza inversioni del movimento.
23. Eseguire altre manovre e durante la manovra di chiusura (se funzione "FT A") o la manovra di apertura (se funzione "FT B") o entrambe (se funzione "FT C") intervenire sul rivelatore di presenza ottico come indicato nel punto 17 e verificare che provochi l'azione prevista ad esempio breve inversione ed arresto del movimento.
24. Eseguire altre manovre e far intervenire il bordo sensibile come indicato nel punto 18 e verificare che provochi l'azione prevista ad esempio l'inversione parziale del movimento.
25. La verifica secondo la norma EN 12445 di FT210B nella parte relativa al rivelatore di presenza ottico (tipo D); va fatta con il parallelepipedo di test 700x300x200mm con 3 lati nero opaco e 3 lati bianco lucido oppure a specchio come indicato in figura 24 e secondo quanto richiesto dal capitolo 7 dalla norma EN 12445:2000 (oppure allegato A in prEN12445:2005).
26. La verifica secondo la norma EN 12445 di FT210B nella parte relativa al dispositivo sensibile alla pressione PSPE; se le situazioni pericolose provocate dal movimento dell'anta sono state salvaguardate mediante la limitazione della forza d'impatto (tipo C) va fatta eseguendo la misura della forza con lo specifico strumento nei punti previsti secondo quanto richiesto dal capitolo 5 dalla norma EN 12445.
27. Dopo aver verificato tutti i punti precedenti, togliere il filtro attenuatore dal vetrino del ricevitore RX, come indicato in figura 25.
28. Al termine del collaudo ricordarsi di chiudere tutti i contenitori dei vari dispositivi.



24



25

## 5) Approfondimenti

In questo capitolo verranno trattate le possibilità di personalizzazione diagnostica e ricerca guasti su FT210.

### 5.1) Esempio di utilizzo di FT210B solo come rivelatore di presenza

E' possibile utilizzare FT210B come semplice rivelatore di presenza tipo D, senza quindi il collegamento al bordo sensibile. In questo caso è necessario:

1. Eseguire le fasi di montaggio come riportato al paragrafo "Installazione" senza collegare il bordo sensibile e lasciando la resistenza 8200Ω collegata sull'ingresso del TX.
2. Disinserire il ponticello "JP3" del trasmettitore in modo che la trasmissione avvenga sempre in modo VELOCE
3. Inserire i ponticelli del ricevitore in base all'area del cancello dove si vuole porre FT210B (figura 3) e secondo la tabella 3.

**Nota:** La modalità di trasmissione VELOCE riduce la durata della batteria del trasmettitore. In questo caso la durata di una batteria tipo "C" (kit FTA1) è così stimata:

- circa 24 mesi per cancelli fino a 7m (ponticello JP1 del TX disinserto)
- circa 18 mesi per cancelli fino a 15m (ponticello JP1 del TX inserito)



## 5.2) Esempio di utilizzo di FT210B come solo rilevatore dello stato del bordo sensibile

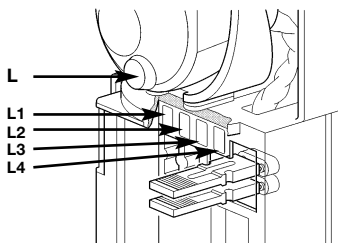
Nel caso FT210B venga utilizzato solo come rilevatore dello stato del bordo sensibile, senza quindi la funzione di rilevatore di presenza, si consiglia di installare il fotodispositivo come in figura 5 e 6.

In questo caso è necessario:

1. Eseguire le fasi di montaggio come riportato al paragrafo "Installazione".
2. Impostare i ponticelli sul TX secondo le proprie esigenze, vedere Tabella 2.
3. Impostare il ponticello JPX su RX (vedere Tabella 3) esattamente per ottenere la funzione "FT B" o "FT C" indicate nelle figure.

## 5.3) Segnalazioni

Il ricevitore FT210B ha alcuni led di segnalazione (vedere figura 26) che forniscono delle segnalazioni luminose in base allo stato di funzionamento.



26

**Tabella 4: segnalazioni**

Led L (rosso)	Causa	Azione
2 lampeggi brevi pausa 2 lampeggi brevi	Segnalazione batteria scarica sul TX.	Sostituire quanto prima la batteria sul trasmettitore con una dello stesso modello.
Led L1 (rosso) IR Level	Causa	Azione
Lampeggio regolare	La frequenza di lampeggio indica la bontà della ricezione: più lento è il lampeggio e migliore è la ricezione.	Tutto Ok se il lampeggio è lento: massimo 3 al secondo, altrimenti occorre controllare l'allineamento tra TX ed RX.
Acceso	Al ricevitore non giunge alcun segnale infrarosso del TX	Rimuovere l'ostacolo oppure migliorare l'allineamento tra TX e RX
2 lampeggi brevi pausa 2 lampeggi brevi	Funzione dispositivo errata	Il fotodispositivo FT210B ha una funzione non ammessa. Impostare il ponticello del ricevitore in maniera corretta, secondo la tabella 3
3 lampeggi brevi pausa 3 lampeggi brevi	Dispositivo non appreso dalla centrale di comando	Ripetere la procedura di apprendimento dalla centrale. Verificare che tutti i fotodispositivi FT210B abbiano funzioni diverse
4 lampeggi brevi pausa 4 lampeggi brevi	Il trasmettitore è in modalità LENTA	Tutto OK se il cancello è fermo
5 lampeggi brevi pausa 5 lampeggi brevi	Il ricevitore capta del segnale infrarosso non riconoscibile che interferisce	Un trasmettitore estraneo invia un segnale verso il ricevitore, cercare di eliminare l'interferenza; controllare l'allineamento di tutti i dispositivi presenti
7 lampeggi brevi pausa 7 lampeggi brevi	Il ricevitore capta il segnale infrarosso di un secondo trasmettitore FT210B	Eliminare il secondo trasmettitore. Due trasmettitori FT210B non possono essere posti sulla stessa area.
Led L2 (giallo) Fototest KO	Causa	Azione
Acceso	Segnala errore nel test ad inizio manovra ed il trasmettitore non è commutato in modo VELOCE.	Probabile cattivo funzionamento del sensore di movimento.
Spento	Il test ad inizio dell'ultima manovra è stato regolare.	Tutto OK
Led L3 (rosso) Sensitive Device KO	Causa	Azione
Acceso	Il bordo sensibile collegato al trasmettitore è attivato	Verificare le cause dell'attivazione del bordo
Spento	Il bordo sensibile collegato al trasmettitore non è attivato	Tutto OK
Led L4 (verde) Sensitive Device OK	Causa	Azione
Acceso	Il bordo sensibile collegato al trasmettitore non è attivato	Tutto OK
Spento	Il bordo sensibile collegato al trasmettitore è attivato	Verificare le cause dell'attivazione del bordo

#### 5.4) Risoluzione dei problemi

Nella tabella 5 è possibile trovare utili indicazioni per affrontare casi di malfunzionamento in cui è possibile incorrere durante l'installazione o a causa di un guasto.

**Tabella 5: ricerca guasti**

Sintomi	Verifiche consigliate
Non è possibile comandare il cancello; tutti i led su ricevitore di FT210B sono spenti.	Verificare se il ricevitore è collegato correttamente a "Blue-BUS"
Il cancello inizia il movimento ma dopo 1 secondo si ferma; il led 2 (giallo) è acceso	Non è andato a buon fine il test ad inizio manovra ed è probabile un guasto nel sensore di movimento del cancello presente nel TX
Durante la corsa il cancello si ferma o inverte la manovra; il led L1 (rosso) si è acceso fisso	Verificare eventuali ostacoli o l'allineamento tra TX e RX lungo tutta la corsa del cancello
Durante la corsa il cancello inverte la manovra e si ferma; il led L3 (rosso) è acceso e il led L4 (verde) è spento.	E' intervenuto il bordo sensibile. Rimuovere l'eventuale ostacolo o controllare il corretto funzionamento del bordo
Ogni tanto, durante la corsa il cancello si ferma o inverte la manovra; a cancello aperto il led L1 (rosso) lampeggia velocemente	Verificare l'allineamento tra TX e RX lungo tutta la corsa del cancello
Ogni tanto, durante la corsa il cancello si ferma o inverte la manovra; talvolta si blocca del tutto e non è possibile comandarlo; il led L (rosso) fa continuamente 2 brevi lampeggi	La batteria nel TX è scarica e nelle condizioni più sfavorevoli non avviene la comunicazione tra TX ed RX. Il lampeggio del led L (rosso) indica che è necessario cambiarla.

## 6) Manutenzione

La manutenzione di FT210B non necessita di accorgimenti particolari, ma è necessario un controllo almeno ogni 6 mesi nel quale venga verificato lo stato del fotodispositivo FT210B (presenza di umidità, ossidi, ecc.), venga eseguita la pulizia dell'involucro esterno, e rieseguito il collaudo come descritto nel capitolo 4 "Collaudo". FT210B è stato studiato per funzionare in condizioni normali almeno 10 anni, è opportuno intensificare la frequenza di manutenzione trascorso questo periodo.

Sostituire la batteria del trasmettitore se, subito dopo una manovra completa (quando la trasmissione avviene ancora in modalità VELOCE), si misura una tensione inferiore a 2,7V sulla batteria.

## 7) Smaltimento

Come per l'installazione, anche al termine della vita di questo prodotto, le operazioni di smantellamento devono essere eseguite da personale qualificato.

Questo prodotto è costituito da vari tipi di materiali, alcuni possono essere riciclati altri devono essere smaltiti; informatevi sui sistemi di riciclaggio o smaltimento previsti dai regolamenti locali per questa categoria di prodotto.

**Attenzione:** alcune parti del prodotto possono contenere sostanze inquinanti o pericolose, se disperse potrebbero provocare effetti dannosi sull'ambiente e sulla salute umana.

Come indicato dal simbolo di figura 27 è vietato gettare questo prodotto nei rifiuti domestici. Eseguire la "raccolta separata" per lo smaltimento secondo i metodi previsti dai regolamenti locali; oppure riconsegnare il prodotto al venditore nel momento dell'acquisto di un nuovo prodotto equivalente.

Regolamenti locali possono prevedere pesanti sanzioni in caso di smaltimento abusivo di questo prodotto.

**Attenzione:** il prodotto funziona con batterie che potrebbero contenere sostanze inquinanti e quindi non devono essere buttate nei rifiuti comuni. Dopo averle rimosse dal prodotto (vedere il paragrafo "Sostituzione batteria" al capitolo "Istruzioni ed avvertenze destinate all'utilizzatore di FT210B") occorre smaltirle secondo i metodi previsti, per le batterie, dai regolamenti locali.

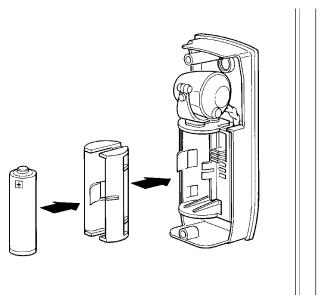
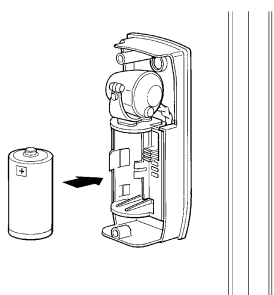
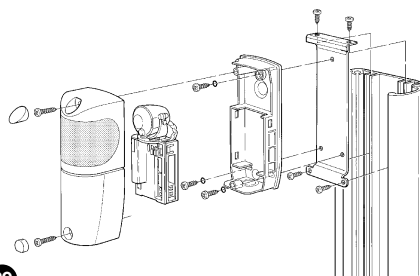
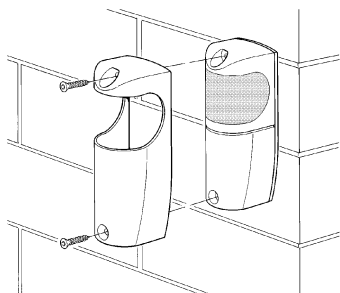


## 8) Accessori

Sono disponibili i seguenti accessori:

- FA1: contenitore metallico antivandalico, da montare come in figura 28
- FA2: staffa di fissaggio su colonnine "MOCF", da montare come in figura 29

- FTA1: batteria 3,6V; 7Ah taglia C, da montare come in figura 30
- FTA2: batteria 3,6V; 2Ah taglia AA, da montare come in figura 31



## 9) Caratteristiche tecniche

Allo scopo di migliorare i prodotti, NICE S.p.a. si riserva il diritto di modificare le caratteristiche tecniche in qualsiasi momento e senza preavviso, garantendo comunque funzionalità e destinazione d'uso previste. Nota: tutte le caratteristiche tecniche sono riferite alla temperatura di 20°C.

Caratteristiche tecniche FT210B	
Tipologia	Dispositivo per la trasmissione via ottica dello stato di un bordo sensibile di tipo a resistenza costante posto su parti in movimento; composto da un trasmettitore a raggi infrarossi (TX) alimentato a batteria posto sull'anta in movimento nel quale viene collegato il bordo sensibile e da un ricevitore (RX) posto nella parte fissa
Tecnologia adottata	Trasmissione per interpolazione ottica diretta TX-RX con raggio infrarosso modulato e codificato.
Alimentazione ricevitore	Il dispositivo può essere collegato solo a reti "BlueBus" dalla quale preleva l'alimentazione elettrica e invia i segnali di uscita.
Potenza assorbita ricevitore	0,5 unità Blue bus
Alimentazione trasmettitore	3,6V con batterie al litio tipo C oppure AA
Durata batteria trasmettitore (con JP3 inserito)	Stimata in circa oltre 15 anni con batteria tipo C, capacità 7Ah; (uso "residenziale": distanza TX-RX fino a 7m; con 20 manovre al giorno della durata di 90s) Stimata in circa 5,5 anni con batteria tipo C, capacità 7Ah; (uso "industriale": distanza TX-RX fino a 15m; con 200 manovre al giorno della durata di 90s) Stimata in circa 6 anni con batteria tipo AA, capacità 2Ah; (uso "residenziale": distanza TX-RX fino a 7m; con 20 manovre al giorno della durata di 90s)
Gamma dell'ingresso del dispositivo Sensibile (Rs)	Tipico 8,2K $\Omega$ ; +22%/-65% per lo stato di attivo (On) Limiti stato attivo (On): con Rs > 2.870 e Rs < 10.010. Limiti stato disattivo (Off): con Rs < 2.590. o Rs > 11.060.
Capacità di rilevamento del rivelatore di presenza tipo D	Oggetti opachi posti sull'asse ottico tra TX-RX con dimensioni maggiori di 50mm e velocità minore di 1,6m/s
Angolo di trasmissione TX	+/- 4° (valore rilevato al 50% della portata)
Angolo di ricezione RX	+/- 3° (valore rilevato al 50% della portata)
Orientabilità	circa 210° nell'asse orizzontale e 30° nell'asse verticale
Portata utile	7m oppure 15m (con JP1 su TX inserito) con disassamento TX-RX massimo $\pm$ 2° (la portata potrebbe ridursi ulteriormente in caso di fenomeni atmosferici particolarmente intensi: nebbia, pioggia, neve, polvere, ecc.)
Portata massima (in condizioni ottimali)	15m oppure 30m (con JP1 su TX inserito) con disassamento TX-RX massimo $\pm$ 2°
Tempo di risposta del rivelatore di presenza	< 96ms (tipico 65ms) con 1 coppia di fotocellule MOFB collegata assieme a FT210B
Tempo di risposta intervento bordo sensibile	< 64ms (tipico 50ms)
Categoria di resistenza ai guasti	3 (secondo la norma EN 954-1)
Utilizzo in atmosfera acida, salina o potenzialmente esplosiva	No
Montaggio	RX: verticale a parete o su colonna "MOCF" con staffa di fissaggio "FA2" TX: direttamente sul cancello con viti fornite in dotazione.
Grado di protezione contenitore	IP44
Temperatura di esercizio	-20 ÷ 55°C
Dimensioni	46 x 128 h 45mm
Peso	Ricevitore: 135g. Trasmettitore 165g con FTA1 oppure 140g con FTA2

## Istruzioni ed avvertenze destinate all'utilizzatore di FT210B

Queste istruzioni possono integrare le "Istruzioni ed avvertenze per l'uso dell'automazione" che l'installatore deve consegnare al proprietario dell'automazione e comunque devono essere integrate da esse.

- **Manutenzione:** Come ogni macchinario la vostra automazione ha bisogno di una manutenzione periodica affinché possa funzionare più a lungo possibile ed in completa sicurezza. Concordate con il vostro installatore un piano di manutenzione con frequenza periodica; Nice consiglia un intervento ogni 6 mesi per un normale utilizzo domestico, ma questo periodo può variare in funzione dell'intensità d'uso. Qualunque intervento di controllo, manutenzione o riparazione deve essere eseguito solo da personale qualificato.
- Anche se ritenete di saperlo fare, non modificate l'impianto ed i parametri di programmazione e di regolazione dell'automazione: la responsabilità è del vostro installatore.
- Il collaudo, le manutenzioni periodiche e le eventuali riparazioni devono essere documentate da chi le esegue e i documenti conservati dal proprietario dell'impianto.
- Gli unici interventi che vi sono possibili e vi consigliamo di effettuare periodicamente sono la pulizia dei vetri delle fotocelle e la rimozione di eventuali foglie o sassi che potrebbero ostacolare l'automatismo. Per impedire che qualcuno possa azionare il cancello, prima di procedere, ricordatevi di sbloccare l'automatismo e di utilizzare per la pulizia solamente un panno leggermente inumidito con acqua.
- **Smaltimento:** Al termine della vita dell'automazione, assicuratevi che lo smantellamento sia eseguito da personale qualificato e che i materiali vengano riciclati o smaltiti secondo i metodi previsti dai regolamenti locali.
- **Sostituzione della batteria** del trasmettitore di FT210B. Il trasmettitore, posto nell'anta in movimento del cancello, dispone di una speciale batteria al litio da 3,6V. La durata stimata è di diversi anni; dipende delle condizioni d'utilizzo. E' prevista una segnalazione qualche mese prima che la batteria si sia completamente esaurita in modo che abbiate il tempo per la sostituzione.

E' il momento di cambiare la batteria se nel **ricevitore** posto nella parte fissa (a muro come in figura A o su colonnina come in figura B) notate questa segnalazione: **2 lampeggi brevi seguiti da una pausa di 1 secondo**.

La batteria è nel **trasmettitore** posto nell'anta del cancello; per la sostituzione occorre:

- 1) Togliere i tappi che coprono le viti come in figura C
- 2) Svitare le viti che fissano il coperchio e toglierlo come in figura C
- 3) Togliere la batteria esaurita facendo leva con un cacciavite
- 4) Aspettare circa 10 secondi prima di inserire la batteria nuova
- 5) Porre attenzione alla polarità: il positivo è verso l'alto
- 6) Inserire la nuova batteria come da figure D o E, in base al modello utilizzato
- 7) Fissare il coperchio con le viti ed inserire gli appositi tappi

**Attenzione:** il prodotto funziona con batterie che potrebbero contenere sostanze inquinanti e quindi non devono essere buttate nei rifiuti comuni. Dopo averle rimosse dal prodotto (vedere il paragrafo "Sostituzione batteria" al capitolo "Istruzioni ed avvertenze destinate all'utilizzatore di FT210B") occorre smaltirle secondo i metodi previsti, per le batterie, dai regolamenti locali.

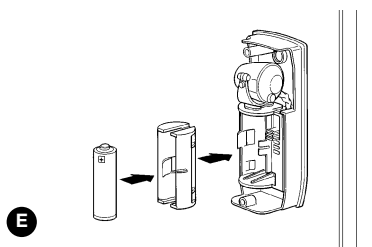
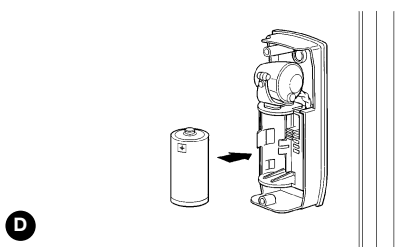
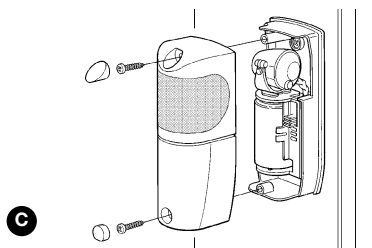
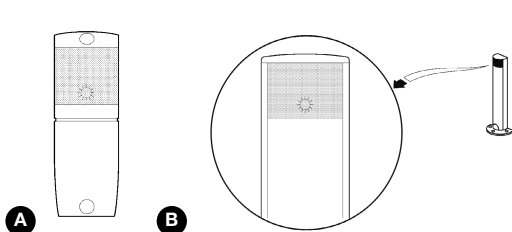


Sono disponibili 2 tipi di batteria:

- **FTA1:** batteria 3,6V; 7Ah taglia C, da montare come in figura D
- **FTA2:** batteria 3,6V; 2Ah taglia AA, da montare come in figura E

**Attenzione: le batterie utilizzate in questo prodotto non sono normali batterie alcaline.**

**Richiedere a Nice s.p.a. i kit batteria di ricambio "FTA1" o "FTA2".**





# 1) Recommandations

Cette notice technique contient d'importantes informations relatives à la sécurité pour l'installation: il faut lire toutes les instructions avant de procéder à l'installation. Conserver soigneusement cette notice pour d'éventuelles consultations futures.

Compte tenu des dangers qui peuvent apparaître durant l'installation et l'utilisation de FT210B, il faut, pour garantir une sécurité optimale, que l'installation soit réalisée en totale conformité avec les lois, normes et règlements.

**D'après la législation européenne la plus récente, l'automatisation d'une porte ou d'un portail possède les caractéristiques prévues par la directive 98/37/CE (directive Machines) et en particulier par les normes: EN 13241-1 (norme harmonisée); EN 12445; EN 12453 et EN 12635, qui permettent de déclarer la conformité à la directive «Machines».**

D'autres informations et conseils pour l'analyse des risques et la réalisation du dossier technique sont disponibles sur le site: «www.niceforyou.com». La présente notice est exclusivement réservée au personnel technique qualifié pour l'installation. Aucune information contenue dans la présente notice n'est destinée à l'utilisateur final!

- Une utilisation de FT210B différente de ce qui est prévu dans cette notice est interdite; toute utilisation impropre peut être source de dangers ou de dommages pour les personnes et les choses.
- N'effectuer de modifications sur aucune partie si elles ne sont pas prévues dans cette notice. Des opérations de ce type entraîneront obligatoirement des problèmes de fonctionnement. NICE décline toute responsabilité en cas de dommages dérivant de produits modifiés.
- FT210B doit fonctionner exclusivement par interpolation directe TX-RX; l'utilisation par réflexion est interdite.

- Pour les connexions électriques, utiliser des conducteurs adéquats conformément aux indications du chapitre «installation».
- S'assurer que l'alimentation électrique et les autres paramètres d'utilisation correspondent aux valeurs contenues dans le tableau des «caractéristiques techniques».
- La réalisation de dispositifs de sécurité pour portes et portails automatiques est soumise aux normes suivantes:
  - EN 12453 Portes équipant les locaux industriels et commerciaux et de garage. Sécurité relative à l'utilisation de portes motorisées - Prescriptions
  - EN 12978 - Portes et portails équipant les locaux industriels et commerciaux et les garages. Dispositifs de sécurité pour portes motorisées - Prescriptions et méthodes d'essai.

L'installation et la connexion de FT210B dans le but de réaliser un dispositif de sécurité, sans satisfaire les exigences essentielles de ces normes, équivaut à une négligence et constitue un abus délibéré!

Recommandations particulières sur l'appropriation à l'utilisation de ce produit par rapport à la directive «Compatibilité électromagnétique» 89/336/CEE et à ses amendements suivants 92/31/CEE et 93/68/CEE:

Ce produit a été soumis aux essais relatifs à la compatibilité électromagnétique dans les situations d'utilisation les plus critiques, dans les configurations prévues dans cette notice technique et en liaison avec les articles présents dans le catalogue de produits de Nice S.p.A. La compatibilité électromagnétique pourrait ne pas être garantie si le produit est utilisé dans des configurations ou avec d'autres produits non prévus; l'utilisation du produit dans ces situations est interdite tant que l'installateur n'a pas vérifié la conformité aux critères prévus par la directive.

# 2) Description du produit et application

FT210B est un dispositif avec technologie BlueBUS intégrée qui permet de résoudre le problème des connexions électriques de bords sensibles placés sur les vantaux en mouvement. Il est composé d'un émetteur à rayons infrarouges (TX), alimenté par une batterie longue durée, qui doit être placé sur le vantail mobile sur lequel se trouve le bord sensible. Il est complété par un récepteur (RX) placé dans la partie fixe et connecté grâce à deux fils seulement à toutes les logiques de commande et aux dispositifs équipés de la technologie BlueBUS.

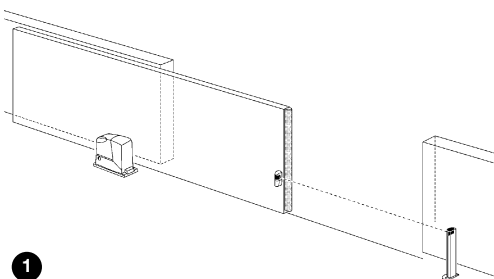
FT210B offre 2 possibilités d'utilisation:

- comme partie d'un dispositif de sécurité sensible à la pression (PSPE), pour la vérification de l'état du bord sensible;
- comme détecteur de présence de type D (photocellule) pour la vérification de l'interruption du rayon infrarouge.

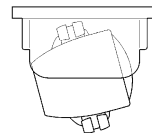
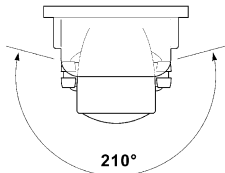
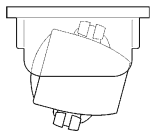
Dans le premier cas, le bord sensible, du type à résistance constante 8,2 kilohms, est vérifié continuellement par l'émetteur et l'état d'activation ou de non-activation est envoyé au récepteur. Le récepteur RX interprète l'information reçue et la communique à la logique de commande au moyen du réseau «BlueBUS». La transmission entre TX et RX et la communication «BlueBUS» entre TX et la logique de commande sont codées avec des techniques haute sécurité telles que

tout le système TX/RX/logique de commande satisfait la catégorie 3 de sécurité aux pannes selon la norme EN 954-1 et est donc utilisable dans des systèmes PSPE conformes à la norme EN 12978.

Dans le deuxième cas, si TX et RX sont positionnés de sorte que la communication optique s'effectue à travers le passage (voir figure 1), le dispositif peut également être utilisé comme détecteur de présence (type D selon la norme EN 12453); en effet, un objet qui interrompt le rayon fait passer le détecteur de présence en état d'alarme, qui est envoyé par BlueBUS, de manière distincte et séparée de l'état d'activation du bord.



Avec la possibilité d'orientation de 210° sur l'axe horizontal et de 30° sur l'axe vertical, FT210B peut également être utilisé dans les cas où les surfaces de fixation ne permettent pas un alignement TX-RX correct (voir fig. 2).



2

**Le dispositif à photocellules FT210B assemblé conformément aux instructions et complété par le bord sensible TCB65 et la logique de commande avec technologie BlueBUS intégrée, a été certifié par le producteur comme étant conforme, totalement ou partiellement pour les parties applicables, aux normes suivantes:**

- EN 954-1 Sécurité des machines - Parties des systèmes de commande relatives à la sécurité - Principes généraux de conception.

- EN 1760-2 Sécurité des machines - Dispositifs de protection sensibles à la pression - Principes généraux de conception et d'essai des bords et barres sensibles à la pression.
- EN 12978 - Portes et portails équipant les locaux industriels et commerciaux et les garages. Dispositifs de sécurité pour portes et portails motorisés - Prescriptions et méthodes d'essai.

**⚠ FT210B seul n'est pas un dispositif de sécurité complet mais seulement une partie du dispositif!**

### 3) Installation

**⚠ Toutes les opérations d'installation doivent être effectuées sans tension dans l'installation; si la batterie tampon est présente, il faut la déconnecter.**

#### 3.1) Contrôles préliminaires

- Vérifier attentivement que les paramètres d'utilisation sont compatibles avec les données figurant dans le chapitre «caractéristiques techniques». En cas de doute, ne pas utiliser le produit et demander des éclaircissements au service après-vente Nice.

Vu la particularité et le caractère unique du produit, avant de procéder à l'installation il faut évaluer certains aspects relatifs au principe de fonctionnement afin d'obtenir le maximum de sécurité et de fonctionnalité.

- L'émetteur vérifie continuellement l'état du bord sensible et envoie l'information au récepteur. Pour réduire l'usure de la batterie tout en maintenant le niveau de sécurité demandé, cette activité est effectuée à 2 «vitesses» différentes: LENTE quand le portail est arrêté; RAPIDE quand le portail est en mouvement. L'émetteur reconnaît l'état du portail grâce à un capteur spécial qui détecte les vibrations du portail en mouvement. Dès que le portail commence le mouvement, l'émetteur passe en mode RAPIDE et y reste jusqu'à ce que le portail reste arrêté pendant 10 ou 90 secondes (voir cavaliers JP2 et JP3 dans le tableau 1). Pour garantir le niveau de sécurité requis, le récepteur doit connaître l'état du portail, surtout pour vérifier si le mode LENT ou RAPIDE de l'émetteur est correct. Ce mécanisme de contrôle s'effectue à travers «BlueBUS»; durant toute la manœuvre, la logique de commande envoie le signal de portail en mouvement et le récepteur vérifie que le mode de l'émetteur est correct.
- FT210B a été conçu pour ne pas gêner les autres photocellules et pour ne pas être gêné par elles; cela signifie que FT210B peut être monté avec d'autres photocellules; il faut toutefois veiller aux points suivants:
  1. Si l'on utilise des photocellules avec technologie BlueBUS intégrée, il n'y a pas de problèmes quant au nombre de photocellules à associer au dispositif à photocellules

FT210B, à condition qu'elles soient installées comme indiqué sur les fig. 4, 5 et 6.

2. Si l'on utilise des photocellules traditionnelles produites par NICE, le fonctionnement est garanti avec au moins une autre paire de photocellules.
3. Si l'on utilise des photocellules traditionnelles qui ne sont pas produites par NICE, le fonctionnement pourrait ne pas être garanti.

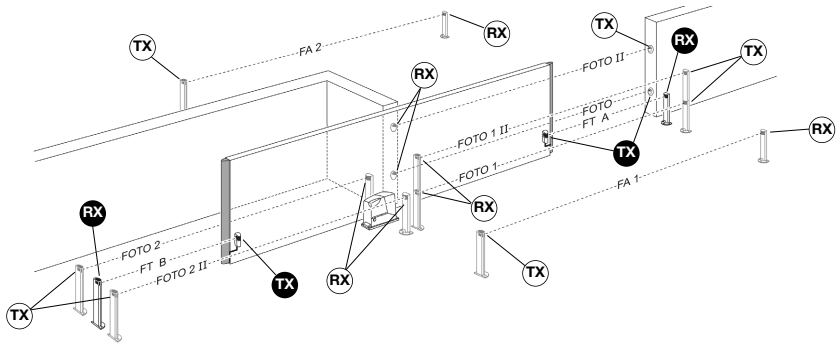
Dans tous les cas, pour exclure l'influence d'autres dispositifs, effectuer scrupuleusement la procédure d'essai prévue au chapitre 4 et vérifier la signalisation spécifique dans le tableau 4.

- On ne peut pas installer deux dispositifs FT210B pour contrôler la même zone; si un récepteur devait détecter le signal de deux émetteurs, il se mettrait dans l'état de «sécurité» en empêchant le mouvement du portail. Voir la signalisation spécifique dans le tableau 4
- On peut installer deux dispositifs FT210B pour contrôler la partie avant (FT A) et arrière (FT B) du même portail, comme l'indique la figure 3.
- Sur un vantail avec un seul FT210B on peut monter 2 bords sensibles, avant et arrière (FT C), qui devront être connectés entre eux en cascade suivant la description du chapitre 3.1.1. Dans ce cas, on peut utiliser FT210B aussi bien comme détecteur de présence en mettant l'émetteur et le récepteur comme l'indique la figure 4; ou bien comme simple détecteur de l'état du bord sensible en plaçant l'émetteur et le récepteur comme l'indique la figure 5.
- Dans le cas de vantaux opposés et synchronisés en modalité maître-esclave (avec Robus ou Run) on peut installer 2 dispositifs FT210B (FT B et FT C) comme l'indique la figure 6. Sur chaque vantail, on peut monter 1 bord sensible ou 2 bords sensibles (avant et arrière), qui devront être connectés entre eux en cascade suivant la description du chapitre 3.1.1.

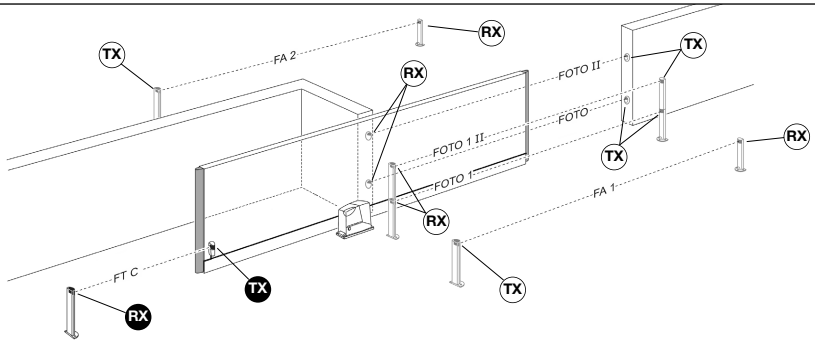
Dans tous les cas indiqués dans les figures 3, 4, 5 et 6, il faut mettre le cavalier JPX sur le récepteur (voir tableau 3) exactement pour obtenir la fonction (FT A; FT B ou FT C) suivant les indications des figures respectives.



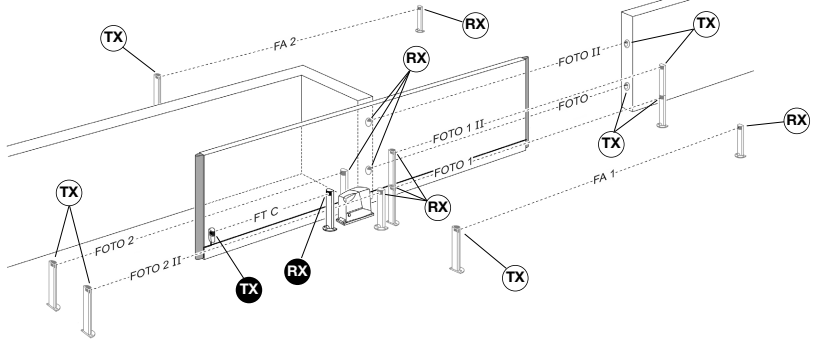
3



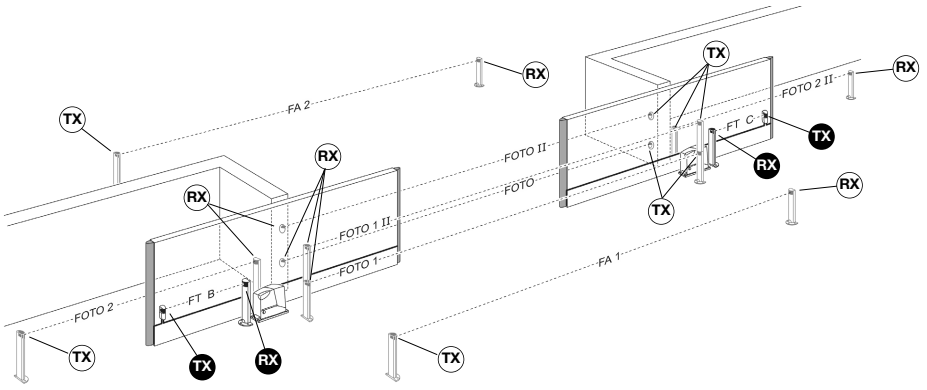
4



5

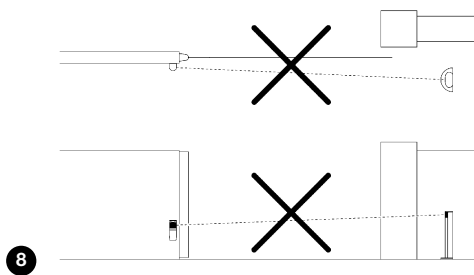
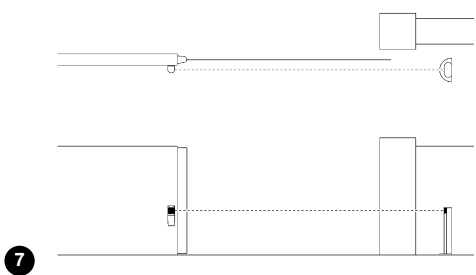


6

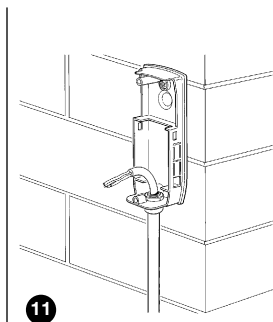
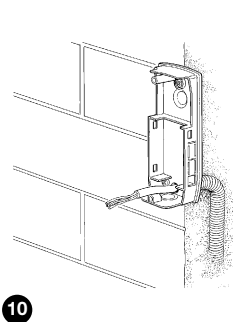
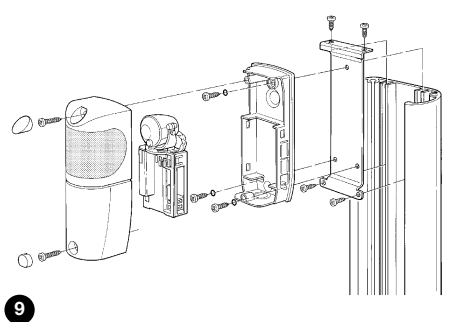


- L'émetteur TX de la photocellule FT210B émet un rayon avec un angle de  $\pm 4^\circ$ ; il faut donc avoir un alignement parfait entre TX et RX qui doit rester constant sur toute la course du portail.

La figure 7 montre un montage correct; la figure 8 donne deux exemples de montage incorrect.



- Suivant les besoins, le récepteur peut être installé sur une colonne MOCF avec l'accessoire spécifique FA2 (voir figure 9), ou fixé au mur; dans ce cas, l'entrée du câble peut s'effectuer par le fond (voir fig. 10) ou par le bas; dans ce cas, il faut ajouter un presse-étoupe de type PG9 (voir fig. 11).



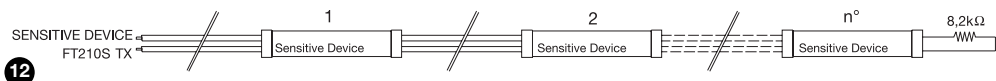
**Tableau 1: liste des câbles**

Connexion	Type de câble	Longueur maximum	Description
TX: entrée bord sensible	2x0,5mm <sup>2</sup>	20m	entrée pour la lecture de l'état du bord sensible
RX: "BlueBUS"	2x0,5mm <sup>2</sup>	30m	Connexion du récepteur au réseau «BlueBUS» des logiques de commande

### 3.1.1) Connexion de 2 bords sensibles ou plus

L'émetteur de FT210B dispose d'une seule entrée pour bords sensibles mais deux dispositifs sensibles ou plus, qui assurent la même fonction, peuvent être connectés en cascade l'un après l'autre comme sur la figure 12, en mettant une seule résistance de terminaison de 8,2 kilohms.

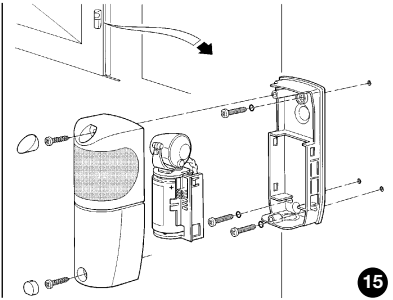
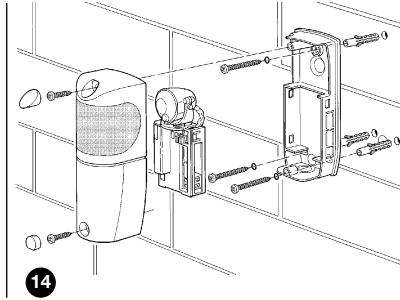
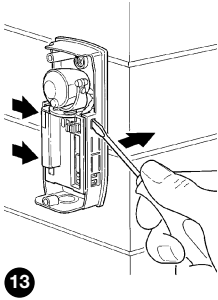
**Attention:** les dispositifs à résistance constante doivent être connectés en cascade et jamais en série ou en parallèle entre eux!



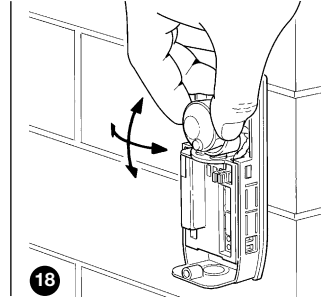
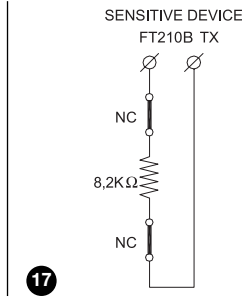
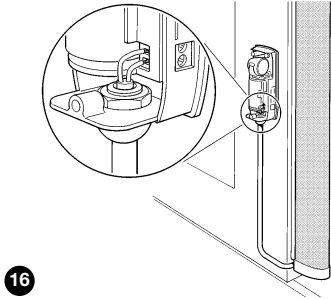
### 3.2) Fixation des dispositifs

Installer et fixer les dispositifs en exécutant dans l'ordre les opérations ci-dessous:

1. Pour faciliter les opérations de fixation, on peut détacher la carte électronique du fond en faisant lever avec un tournevis dans les trois encastrement, comme l'indique la figure 13.
2. Effectuer la fixation du récepteur comme l'indique la figure 14.
3. Monter l'émetteur sur le vantail mobile comme l'indique la figure 15.



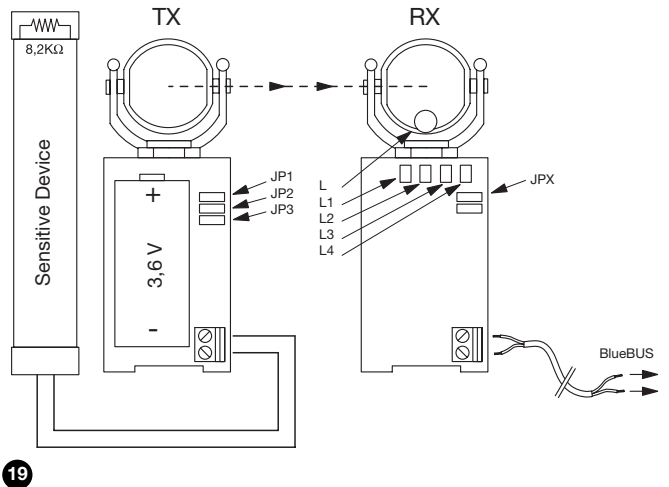
4. Sur l'émetteur, effectuer la connexion électrique du bord sensible, du type à résistance constante 8,2 kilohms, comme l'indique la figure 16. La résistance présente sur les bornes du TX doit être enlevée et utilisée comme terminaison du bord sensible ou bien, on peut ne pas l'utiliser si le bord dispose d'une résistance de terminaison.



Si le bord sensible dispose d'une sortie avec 2 contacts NF disponibles séparément, on peut la connecter comme l'indique la figure 17 en mettant la résistance de 8,2 kilohms en série entre les deux contacts. Vérifier que le constructeur du bord sensible déclare au moins la catégorie 3 de sécurité en cas de panne conformément à la norme EN 954-1.

**Attention:** ne pas utiliser de bords sensibles qui ont comme sortie un simple contact de type NF, il n'aurait pas la catégorie de résistance aux pannes requise par les normes.

5. Sur le récepteur, effectuer les connexions électriques à BlueBUS conformément aux instructions de la notice technique de la logique de commande.
6. Orienter les verres comme indiqué sur la fig. 18 de manière à obtenir un alignement parfait du TX et du RX. L'alignement correct sera ensuite vérifié dans le chapitre 4 «Essai».
7. Programmer les cavaliers présents tant sur TX que sur RX (voir figure 19) pour le fonctionnement voulu suivant les indications des tableaux 2 et 3.

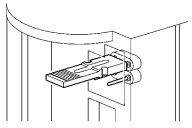
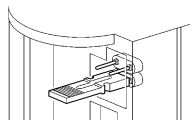
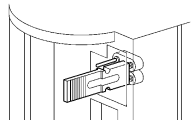


F

**Tableau 2: cavaliers sur l'émetteur TX**

Cavalier	Position	Description
JP1	Connecté	Puissance de l'émetteur adaptée à des portails jusqu'à 15 mètres
	Déconnecté	Puissance de l'émetteur adaptée à des portails jusqu'à 7 mètres
JP2	Connecté	Commute en transmission LENTE au bout de 10 secondes à la fin de la manœuvre (voir aussi JP3) (Conseillé afin de prolonger la durée de la pile)
	Déconnecté	Commute en transmission LENTE au bout de 90 secondes à la fin de la manœuvre (voir aussi JP3) (Conseillé quand on utilise les fonctions type «Refroidissement temps pause», «Refermer tout de suite après photo», etc.)
JP3	Connecté	À la fin de la manœuvre, commute en transmission LENTE (Conseillé afin de prolonger la durée de la pile)
	Déconnecté	Ne commute jamais en transmission LENTE mais reste toujours en mode RAPIDE (Conseillé sur les portails sans vibrations)

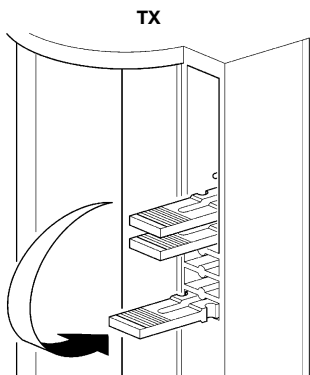
**Tableau 3: cavaliers sur le récepteur RX**

Dispositif à photocellules	Fonctions acoplées	Cavaliers
<b>FT A</b> Passage principal	<ul style="list-style-type: none"> <li>L'intervention du bord sensible, aussi bien durant la manœuvre d'ouverture que de fermeture, provoque une brève inversion et l'arrêt du mouvement.</li> <li>L'interruption du rayon infrarouge durant la manœuvre de fermeture provoque l'inversion du mouvement; n'a aucun effet durant la manœuvre d'ouverture.</li> </ul>	
<b>FT B</b> passage secondaire	<ul style="list-style-type: none"> <li>L'intervention du bord sensible, aussi bien durant la manœuvre d'ouverture que de fermeture, provoque une brève inversion et l'arrêt du mouvement.</li> <li>L'interruption du rayon infrarouge durant la manœuvre d'ouverture provoque l'inversion du mouvement; n'a aucun effet durant la manœuvre de fermeture.</li> </ul> <p><b>Attention: VOIR NOTE 1</b></p>	
<b>FT C</b> passage secondaire	<ul style="list-style-type: none"> <li>L'intervention du bord sensible, aussi bien durant la manœuvre d'ouverture que de fermeture, provoque une brève inversion et l'arrêt du mouvement.</li> <li>L'interruption du rayon infrarouge, aussi bien dans la manœuvre d'ouverture que de fermeture, provoque une brève inversion et l'arrêt du mouvement.</li> </ul> <p><b>Attention: VOIR NOTE 2</b></p>	

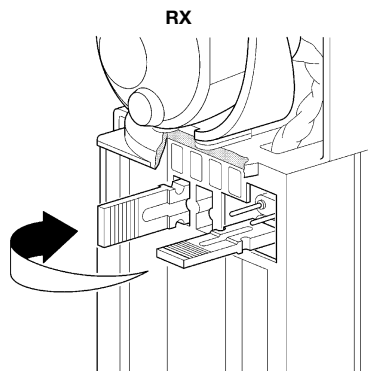
**NOTE 1:** FTB peut être utilisé aussi dans les portails à deux vantaux en modalité maître-esclave (voir figure 6). Dans ce cas, FT B a le même comportement que FT C: l'intervention du bord sensible ou l'interruption du faisceau infrarouge, aussi bien dans la manœuvre d'ouverture que de fermeture, provoque une brève inversion et l'arrêt du mouvement.

**NOTE 2:** FTC peut être utilisé aussi dans les portails à un seul vantail (voir figures 4 et 5) où sont installés 2 bords sensibles, avant et arrière.

8. Pour les utilisations futures, remettre les éventuels cavaliers inutilisés dans le logement spécifique (voir figures 20 et 21).



20



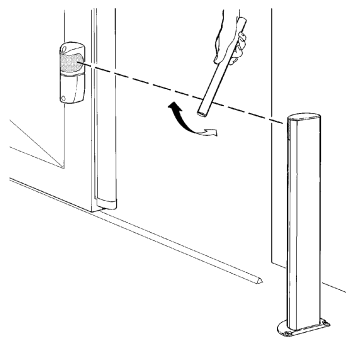
21

## 4) Essai

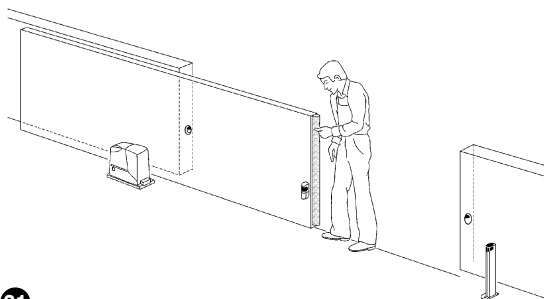
Chaque composant de l'automatisme nécessite une phase d'essai spécifique. Pour l'essai de FT210B, effectuer la série d'opérations ci-dessous: s'il y a 2 dispositifs FT210B (voir figures 3 et 4), la séquence doit être répétée pour chaque dispositif.

**Attention:** sur certains points, des vérifications sont nécessaires avec le portail en mouvement; vu que l'automatisation POURRAIT ne pas être suffisamment SÛRE, il faut faire très attention durant ces essais.

1. Vérifier que tout ce qui est prévu dans cette notice technique est rigoureusement respecté et en particulier dans les chapitres 1 «Avertissements» et 3 «Installation».
2. Débrayer et ouvrir complètement le vantail de manière à mettre le TX le plus loin possible du RX.
3. Vérifier qu'il n'y a aucun obstacle entre le TX et le RX.
4. S'il est déjà connecté, débrancher le récepteur de BlueBUS et enlever la batterie de l'émetteur.
5. Déconnecter le dispositif sensible des bornes du TX puis, avec un ohmmètre, mesurer la valeur de résistance du dispositif sensible et vérifier que la valeur est comprise entre 7700Ω et 8700Ω (nominale: 8200Ω).
6. Exercer une pression sur le bord sensible pour l'activer et mesurer de nouveau la valeur de la résistance; vérifier que la valeur est inférieure à 1000Ω ou supérieure à 16500Ω.
7. Reconnecter le dispositif sensible aux bornes du TX.
8. Reconnecter le récepteur à BlueBUS et exécuter, dans la logique de commande, la reconnaissance des dispositifs connectés à BlueBUS.
9. Vérifier que les LED L1 (1er niveau), L2 (photo-test Ko) et L3 (dispositif sensible Ko) sont allumées; vérifier que la LED L4 (dispositif sensible Ok) est éteinte (voir figure 23).
10. Enlever le cavalier JP3 sur le TX de sorte que ce dernier transmette toujours en mode RAPIDE.
11. Si la distance entre TX et RX dépasse 7 mm, vérifier que le cavalier JP1 sur le TX est activé (et donc programmé pour des distances jusqu'à 15 mm).
12. Dans le TX, mettre la batterie FTA1 ou FTA2 (voir figures 29 ou 30).
13. Dans le récepteur RX, vérifier que la LED L1 (1er niveau) clignote, que les LED L2 (photo-test Ko) et L4 (dispositif sensible Ok) sont allumées et que la LED L3 (dispositif sensible Ko) est éteinte.
14. Si nécessaire, améliorer l'alignement en intervenant sur l'orientation des verres du TX et du RX comme indiqué sur la figure 18. Suivre la signalisation de la LED L1(1er niveau): plus la vitesse du clignotement est basse, meilleur est l'alignement; le réglage optimal est atteint quand la LED L1 clignote lentement, à raison de 3 clignotements maximum à la seconde.
15. Répéter l'essai en mettant les coques de protection supérieures tant sur TX que sur RX. Noter que sur la coque du RX, il y a un filtre atténuateur qui simule les conditions climatiques adverses qui pourront se vérifier durant l'utilisation.
16. Déplacer le vantail du portail sur toute sa course et vérifier avec le clignotement de la LED L1 que l'alignement reste toujours optimal.
17. Pour le contrôle de FT210B dans la partie relative au détecteur de présence optique (type D) et en particulier pour contrôler qu'il n'y a pas d'interférences avec d'autres dispositifs, passer un cylindre de 50 mm de diamètre sur l'axe optique, d'abord à proximité de TX, puis de RX, et enfin au centre entre les deux (voir figure 22). Vérifier que, dans tous les cas, le dispositif intervient en passant de l'état d'actif à l'état d'alarme (LED L1 allumée) et vice versa.
18. Pour la vérification de FT210B dans la partie relative au dispositif sensible à la pression PSPPE, presser et relâcher le bord sensible comme l'indique la figure 23 et vérifier que la LED L4 s'éteint, que la LED L3 s'allume et vice-versa.
19. S'il s'agit de la programmation préférée, mettre le cavalier JP3 sur le TX de sorte que quelques secondes après la fin du mouvement la transmission commute en modalité LENTE.
20. Si l'opération décrite au point précédent a été effectuée, vérifier qu'à la fin du temps prévu (voir JP2 dans le tableau 2) l'émetteur commute en modalité LENTE. La transmission en modalité LENTE se reconnaît parce que la LED L1 fait plusieurs fois quatre clignotements brefs suivis d'une pause.

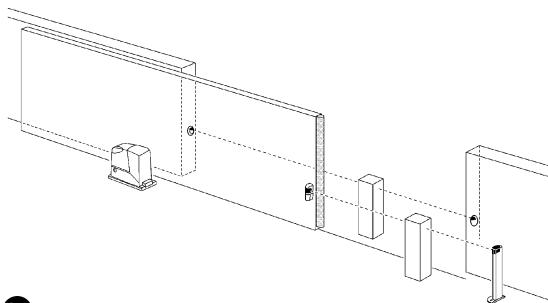


20

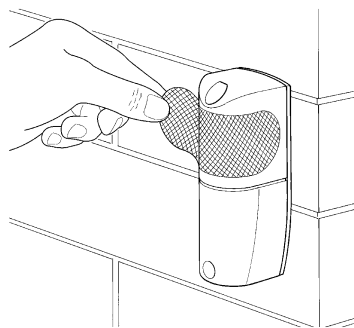


21

21. Accrocher mécaniquement le vantail au moteur et effectuer une manœuvre commandée du portail. Vérifier dans l'intervalle qu'au début de la manœuvre la LED L2 s'éteint, indiquant ainsi que le test du capteur qui détecte les vibrations du portail en mouvement s'est conclu positivement.
22. Effectuer plusieurs manœuvres commandées du portail et vérifier que l'ouverture et la fermeture s'effectuent correctement et sans inversions du mouvement.
23. Effectuer d'autres manœuvres et durant la manœuvre de fermeture (dans le cas de la fonction «FT A») ou la manœuvre d'ouverture (dans le cas de la fonctions «FT B», ou durant les deux (dans le cas de la fonction «FT C») intervenir sur le détecteur de présence optique comme l'indique le point 17 et vérifier que cela provoque l'action prévue, par exemple l'inversion et l'arrêt du mouvement.
24. Effectuer d'autres manœuvres et faire intervenir sur le bord sensible comme l'indique le point 16 puis vérifier que cela provoque l'action prévue, par exemple l'inversion partielle du mouvement.
25. Le contrôle de FT210B conformément à la norme EN 12445 dans la partie relative au détecteur de présence optique (type D) doit être faite avec le corps d'épreuve 700x300x200 mm à 3 faces noir mat et 3 faces blanc brillant ou bien avec faces réfléchissantes comme l'indique la figure 24 et suivant les prescriptions du chapitre 7 de la norme EN 12445:2000 (ou annexe A prEN12445:2005).
26. Le contrôle de FT210B conformément à la norme EN 12445 dans la partie relative au dispositif sensible à la pression PSPE, si la protection contre les situations dangereuses provoquées par le mouvement du vantail a été assurée à travers la limitation de la force d'impact (type C), doit être fait en effectuant la mesure de la force avec l'instrument spécifique aux endroits prévus, conformément aux prescriptions du chapitre 5 de la norme EN 12445.
27. Après avoir vérifié tous les points précédents, enlever le filtre atténuateur du verre du récepteur RX, comme l'indique la figure 25.
28. À la fin de l'essai, ne pas oublier de fermer tous les boîtiers des différents dispositifs.



24



25

## 5) Approfondissements

Ce chapitre décrit les possibilités de personnalisation diagnostic et la recherche des pannes sur FT210B.

### 5.1) Exemple d'utilisation de FT210B uniquement comme détecteur de présence

Il est possible d'utiliser FT210B comme simple détecteur de présence de type D, donc sans connexion au bord sensible.

Dans ce cas, il faut :

1. Exécuter les phases de montage suivant les indications du paragraphe «Installation» sans connecter le bord sensible et en laissant la résistance de 8200Ω connectée à l'entrée du TX.
2. Enlever le cavalier JP3 de l'émetteur de sorte que la transmission s'effectue toujours en mode RAPIDE.
3. Brancher des cavaliers du récepteur en fonction de la zone du portail où l'on souhaite positionner FT210B (figure 3) et suivant le tableau 3.

**Note:** La modalité de transmission RAPIDE réduit la durée de la batterie de l'émetteur. Dans ce cas, la durée d'une batterie de type C (kit FTA1) est évaluée comme suit :

- environ 24 mois pour les portails jusqu'à 7 m (cavalier JP1 du TX désactivé);
- environ 18 mois pour les portails jusqu'à 15 m (cavalier JP1 du TX activé).

## 5.2) Exemple d'utilisation de FT210B uniquement comme détecteur de présence

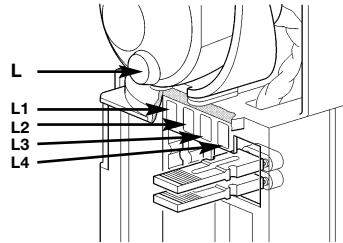
Si FT210B est utilisé uniquement comme détecteur de l'état du bord sensible, sans la fonction de détecteur de présence, nous conseillons d'installer le dispositif comme dans la figure 5 et 6.

Dans ce cas, il faut:

1. Exécuter les phases de montage suivant les indications du paragraphe «Installation».
2. Configurer les cavaliers sur le TX suivant les exigences de l'installation, voir tableau 2.
3. Configurer le cavalier JPX sur RX (voir tableau 3) exactement pour obtenir la fonction «FT B» ou «FT C» indiquées dans les figures.

## 5.3) Signalisations

Le récepteur FT210B a quelques LED de signalisation (voir figure 26) qui fournissent des indications lumineuses suivant l'état de fonctionnement.



26

**Tableau 4: signalisations**

LED L (rouge)	Cause	Action
2 clignotements brefs pause 2 clignotements brefs	Signalisation batterie épuisée sur le TX	Remplacer le plus vite possible la batterie sur l'émetteur avec une autre du même modèle.
LED L1 (rouge) IR Level	Cause	Action
Clignotement régulier	La fréquence de clignotement indique la précision de la réception: plus le clignotement est lent et plus la réception est bonne	Tout est OK si le clignotement est lent: 3 clignotements maximum par seconde; dans le cas contraire, il faut contrôler l'alignement entre TX et RX.
Allumée	Aucun signal infrarouge du TX ne parvient au récepteur.	Enlever l'obstacle ou améliorer l'alignement entre TX et RX
2 clignotements brefs pause 2 clignotements brefs	Fonction incorrect du dispositif.	Le dispositif photoélectrique FT210B a une fonction non admise. Configurer le cavalier du récepteur de manière correcte, suivant le tableau 3.
3 clignotements brefs pause 3 clignotements brefs	Dispositif non reconnu par la logique de commande.	Répéter la procédure de reconnaissance par la logique de commande. Vérifier que tous les dispositifs FT210B ont des fonctions différentes.
4 clignotements brefs pause 4 clignotements brefs	L'émetteur est en modalité LENTE.	Tout est OK si le portail est arrêté.
5 clignotements brefs pause 5 clignotements brefs	Le récepteur capte l'interférence d'un signal infrarouge non identifiable.	Un émetteur étranger envoie un signal vers le récepteur: essayer d'éliminer l'interférence; contrôler l'alignement de tous les dispositifs présents.
7 clignotements brefs pause 7 clignotements brefs	Le récepteur capte le signal infrarouge d'un deuxième émetteur FT210B.	Éliminer le deuxième émetteur. Il ne peut pas y avoir deux émetteurs FT210B dans la même zone.
LED L2 (jaune) Fototest KO	Cause	Action
Allumée	Signale une erreur dans le test au début de la manœuvre et l'émetteur est commuté en mode RAPIDE.	Mauvais fonctionnement probable du capteur de mouvement.
Éteinte	Le test au début de la dernière manœuvre a été régulier.	Tout est OK.
LED L3 (rouge) Sensitive Device KO	Cause	Action
Allumée	Le bord sensible connecté à l'émetteur est activé.	Vérifier les causes de l'activation du bord.
Éteinte	Le bord sensible connecté à l'émetteur n'est pas activé.	Tout est OK.
Led L4 (verte) Sensitive Device OK	Cause	Action
Allumée	Le bord sensible connecté à l'émetteur n'est pas activé.	Tout est OK.
Éteinte	Le bord sensible connecté à l'émetteur est activé.	Vérifier les causes de l'activation du bord.

#### 5.4) Résolution des problèmes

Dans le tableau 5, on peut trouver des indications utiles pour affronter les éventuels problèmes de fonctionnement pouvant se vérifier durant l'installation ou à cause d'une panne.

**Tableau 5: recherche des pannes.**

Symptômes	Vérifications conseillées
Il n'est pas possible de commander le portail; toutes les LED sur le récepteur de FT210B sont éteintes.	Vérifier si le récepteur est correctement connecté à BlueBUS.
Le portail commence la manœuvre mais s'arrête au bout d'1 seconde. La LED 2 (jaune) est allumée.	Le test au début de la manœuvre ne s'est pas conclu positivement et il y a probablement une panne dans le capteur de mouvement du portail présent dans le TX.
Durant la course, le portail s'arrête ou inverse la manœuvre; la LED L1 (rouge) est allumée de manière fixe.	Vérifier les éventuels obstacles ou l'alignement entre TX et RX sur toute la course du portail.
Durant la course, le portail s'arrête ou inverse la manœuvre; la LED L3 (rouge) est allumée et la LED L4 (verte) est éteinte.	Le bord sensible est intervenu. Éliminer l'éventuel obstacle ou contrôler le fonctionnement correct du bord.
De temps en temps, durant la course, le portail s'arrête ou inverse la manœuvre; avec le portail ouvert, la LED L1 (rouge) clignote rapidement.	Vérifier l'alignement entre TX et RX sur toute la course du portail.
De temps en temps, durant la course, le portail s'arrête ou inverse la manœuvre; parfois il se bloque complètement et il n'est pas possible de le commander; la LED L (rouge) émet constamment 2 clignotements brefs.	La batterie du TX est épuisée et dans les conditions plus défavorables, il n'y a pas de communication entre TX et RX. Le clignotement de la LED L (rouge) indique qu'il faut la changer.

## 6) Maintenance

La maintenance de FT210B ne nécessite pas d'opérations particulières, mais il faut effectuer un contrôle au moins tous les 6 mois pour vérifier l'état du dispositif à photocellules FT210B (présence d'humidité, oxydation, etc.); à cette occasion, il faut nettoyer le boîtier et refaire l'essai suivant les indications du chapitre 4 «Essai». FT210B a été étudié pour fonctionner dans des conditions normales au moins 10 ans, il est donc bon d'intensifier la fréquence des contrôles de maintenance passée cette période. Remplacer la batterie de l'émetteur si, tout de suite après une manœuvre complète (quand la transmission s'effectue encore en mode RAPIDE), on mesure une tension inférieure à 2,7V sur la batterie.

## 7) Mise au rebut

Comme pour l'installation, à la fin de la durée de vie de ce produit, les opérations de démantèlement doivent être effectuées par du personnel qualifié.

Ce produit est constitué de différents types de matériaux dont certains peuvent être recyclés et d'autres devront être mis au rebut; informez-vous sur les systèmes de recyclage ou d'élimination prévus par les normes locales en vigueur pour cette catégorie de produit.

**Attention:** certains composants du produit peuvent contenir des substances polluantes ou dangereuses qui pourraient avoir des effets nuisibles sur l'environnement et sur la santé des personnes s'ils n'étaient pas adéquatement éliminés.

Comme l'indique le symbole de la figure 27, il est interdit de jeter ce produit avec les ordures ménagères. Procéder à la «collecte différenciée» des composants pour leur traitement conformément aux méthodes prescrites par les normes locales en vigueur ou restituer le produit au vendeur lors de l'achat d'un nouveau produit équivalent.

Certains règlements locaux peuvent appliquer de lourdes sanctions en cas d'élimination prohibée de ce produit.

**Attention:** le produit fonctionne avec des batteries qui pourraient contenir des substances polluantes et qui ne doivent donc pas être jetées avec les ordures ménagères. Une fois qu'elles ont été retirées du produit (voir le paragraphe «Remplacement de la batterie», dans le chapitre «Instructions et recommandations destinées à l'utilisateur de FT210B»), il faut les traiter selon les méthodes prévues, pour les batteries, par les normes locales en vigueur.

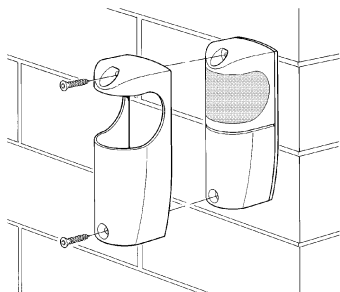




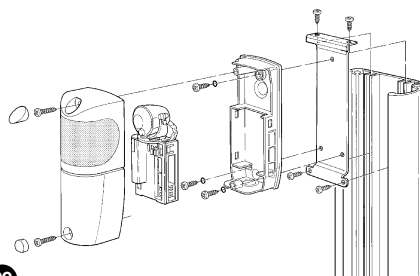
## 8) Accessoires

Le dispositif est disponible avec les accessoires suivants:

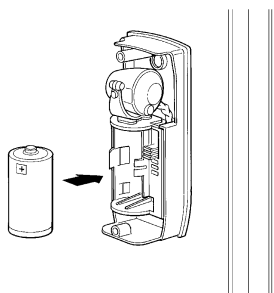
- FA1: boîtier métallique antivandale à monter comme indiqué sur la figure 28.
- FA2: patte de fixation sur les colonnettes «MOCF», à monter comme indiqué sur la figure 29.
- FTA1: batterie 3,6 V, 7 Ah type C, à monter comme sur la figure 30.
- FTA2: batteries 3,6 V, 2 Ah type AA, à monter comme sur la figure 31.



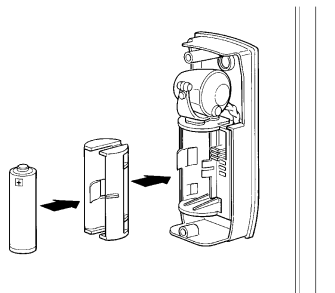
28



29



30



31

## 9) Caractéristiques techniques

Dans le but d'améliorer les produits, Nice S.p.a. se réserve le droit d'en modifier à tout moment et sans préavis les caractéristiques techniques, en garantissant dans tous les cas le bon fonctionnement et le type d'utilisation prévus. Note: toutes les caractéristiques techniques se réfèrent à une température de 20°C.

Caractéristiques techniques FT210B	
Typologie	Dispositif pour la transmission par voie optique de l'état d'un bord sensible du type à résistance constante sur des parties en mouvement, composé d'un émetteur à rayons infrarouges (TX), alimenté par une batterie placée sur le vantail mobile auquel est connecté le bord sensible et d'un récepteur (RX) placé sur la partie fixe.
Technologie adoptée	Transmission par interpolation optique directe TX-RX avec rayon infrarouge modulé et codé.
Alimentation récepteur	Le dispositif ne peut être connecté qu'à un réseau BlueBus sur lequel il prélève l'alimentation électrique et envoie les signaux de sortie.
Puissance absorbée du récepteur	0,5 unité BlueBUS
Alimentation de l'émetteur	3,6 V avec batteries au lithium type C ou AA.
Durée batterie émetteur (avec JP3 activé)	Estimée à plus de 15 ans avec batterie type C, capacité 7 Ah, (usage «résidentiel»: distance TX-RX jusqu'à 7 m, avec 20 manœuvres par jour d'une durée de 90 s). Estimée à environ 5,5 ans avec batterie type C, capacité 7 Ah (usage «industriel»: distance TX-RX jusqu'à 15 m, avec 200 manœuvres par jour d'une durée de 90 s). Estimée à environ 6 ans avec batterie type AA, capacité 2 Ah, (usage «résidentiel»: distance TX-RX jusqu'à 7 m, avec 20 manœuvres par jour d'une durée de 90 s).
Gamme de l'entrée du dispositif Sensible (Rs)	Typique 8,2KΩ; + 22 %/- 65 % pour l'état activé (On). Limites état activé (On): avec Rs > 2 870 et Rs < 10 010. Limites état désactivé (Off): avec Rs > 2 590 ou Rs < 11 060.
Capacité de détection du détecteur de présence type D.	Objets opaques situés sur l'axe optique entre TX-RX de dimensions supérieures à 50 mm et vitesse inférieure à 1,6 m/s.
Angle de transmission TX	+/- 4° (valeur mesurée à 50 % de la portée)
Angle de réception RX	+/- 3° (valeur mesurée à 50 % de la portée)
Possibilité d'orientation	environ 210° dans l'axe horizontal et 30° dans l'axe vertical.
Portée utile	7 m ou 15 m (avec JP1 sut TX activé) avec un désalignement TX-RX maximum de ± 2°. (la portée peut se réduire en cas de conditions météorologiques particulièrement critiques: brouillard, pluie, neige, poussière, etc.).
Portée maximale (dans les conditions optimales)	15 m ou 30 m (avec JP1 sut TX activé) avec un désalignement TX-RX maximum de ± 2°.
Temps de réponse du détecteur de présence	< 96ms (typique 65ms) avec 1 paire de photocellules MOFB connectée avec FT210B.
Temps de réponse intervention du bord sensible	< 64ms (typique 50ms)
Catégorie de résistance aux pannes	3 (selon la norme EN 954-1)
Utilisation dans une atmosphère acide, saline ou potentiellement explosive	Non
Montage	RX: vertical au mur ou sur une colonnette «MOCF» avec patte de fixation «FA2». TX: directement sur le portail avec les vis fournies.
Degré de protection boîtier	IP44
Température de service	-20 ÷55°C
Dimensions	46 x 128 h 45mm
Poids	Récepteur: 135 g. Émetteur: 165 g avec FTA1 ou 140 g avec FTA2.

# Instructions et recommandations destinées à l'utilisateur de FT210B



«Ces instructions peuvent compléter les «Instructions et recommandations pour l'utilisation» que l'installateur doit remettre au propriétaire de l'automatisme et doivent dans tous les cas être complétées par celles-ci.»

- **Maintenance:** Comme toutes les machines, votre automatisme a besoin d'une maintenance périodique pour pouvoir fonctionner le plus longtemps possible et en toute sécurité. Établissez avec votre installateur un plan de maintenance périodique programmée; Nice conseille une intervention tous les 6 mois pour une utilisation domestique normale mais cette période peut varier en fonction de l'intensité d'utilisation. Toute intervention de contrôle, maintenance ou réparation doit être exécutée exclusivement par du personnel qualifié.
- Même si vous estimez en être capable, ne modifiez pas l'installation et les paramètres de programmation et de réglage de l'automatisme: la responsabilité en incombe à votre installateur.
- L'essai de fonctionnement, les maintenances périodiques et les éventuelles réparations doivent être documentés par la personne qui s'en charge et les documents doivent être conservés par le propriétaire de l'installation.
- Les seules interventions que l'utilisateur peut et doit effectuer périodiquement sont le nettoyage des verres des photocellules et l'élimination des feuilles et des cailloux qui pourraient bloquer l'automatisme. Pour empêcher que quelqu'un puisse actionner le portail, avant de continuer, n'oubliez pas de débrayer l'automatisme et d'utiliser pour le nettoyage uniquement un chiffon légèrement imbibé d'eau.
- Mise au rebut: À la fin de la vie de l'automatisme, assurez-vous que le démantèlement est effectué par du personnel qualifié et que les matériaux sont recyclés ou mis au rebut en respectant les méthodes prévues par les normes locales en vigueur.

- **Remplacement de la batterie** de l'émetteur de FT210B. L'émetteur, situé sur le vantail mobile du portail, dispose d'une batterie spéciale au lithium de 3,6 V. Sa durée estimée est de plusieurs années, suivant les conditions d'utilisation. Il est prévu une signalisation de quelques mois avant que la batterie soit complètement épuisée de manière à avoir le temps de procéder au remplacement. Il est temps de remplacer la bat-

terie si dans le **récepteur** situé dans la partie fixe (au mur comme dans la figure A ou sur la colonnette comme dans la figure B) vous remarquez cette signalisation: **2 clignotements brefs suivis d'une pause d'1 seconde.**

La batterie est dans l'**émetteur** situé sur le vantail du portail; pour le remplacement, il faut:

- 1) Enlever les bouchons qui couvrent les vis comme sur la figure C.
- 2) Dévisser les vis qui fixent le couvercle et l'enlever comme sur la figure C.
- 3) Enlever la batterie épuisée en faisant levier avec un tournevis.
- 4) Attendre environ 10 secondes avant de mettre la batterie neuve.
- 5) Faire attention à la polarité: le pôle positif est vers le haut.
- 6) Mettre la nouvelle batterie comme sur les figures D ou E, suivant le modèle utilisé.
- 7) Fixer le couvercle avec les vis et remettre les bouchons cache-vis.

**Attention:** le produit fonctionne avec des batteries qui pourraient contenir des substances polluantes et qui ne doivent donc pas être jetées avec les ordures ménagères. Une fois qu'elles ont été retirées du produit (voir le paragraphe «Remplacement de la batterie», dans le chapitre «Instructions et recommandations destinées à l'utilisateur de FT210B»), il faut les traiter selon les méthodes prévues, pour les batteries, par les normes locales en vigueur.

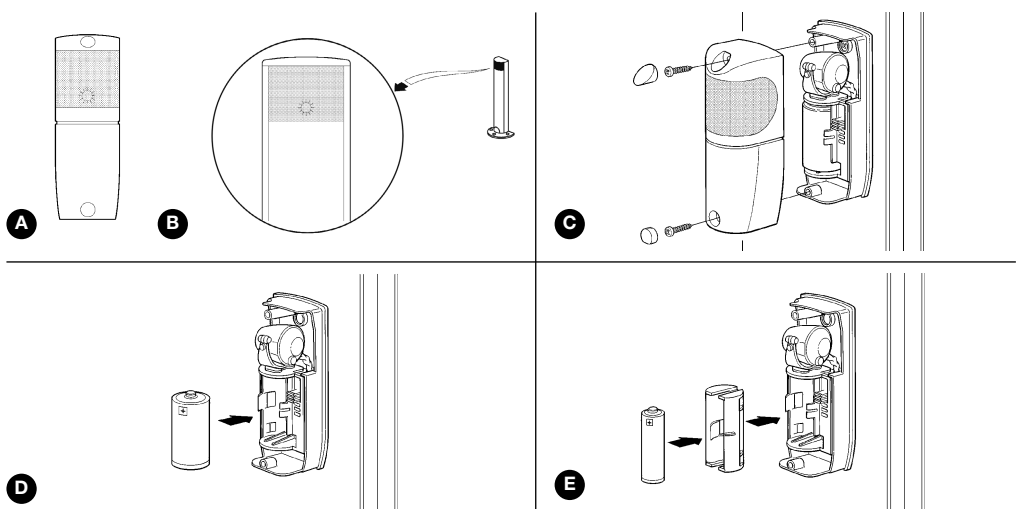


Il existe 2 types de batterie:

- FTA1: batterie 3,6 V, 7 Ah type C, à monter comme sur la figure D.
- FTA2: batteries 3,6 V, 2 Ah type AA, à monter comme sur la figure E.

**Attention: les batteries utilisées dans ce produit ne sont pas des batteries alcalines normales.**

**Demander à Nice s.p.a. les kits batterie de rechange «FTA1» ou «FTA2».**





## 1) Hinweise

Diese Anleitung enthält wichtige Sicherheitsinformationen für die Installation; vor der Installation alle Anweisungen lesen. Dieses Handbuch auch für die Zukunft sorgfältig aufbewahren. Unter Berücksichtigung der Gefahren, die bei Installation und Bedienung von FT210B auftreten können, muss die Installation für größte Sicherheit unter voller Einhaltung von Gesetzen, Vorschriften und Verordnungen erfolgen.

**Nach der neuesten europäischen Gesetzgebung, gehört die Automatisierung einer Tür oder eines Tors zu den Verordnungen der Richtlinie 98/37/CE (Maschinenrichtlinie) und insbesondere zu den Vorschriften: EN 13241-1 (harmonisierte Norm); EN 12445; EN 12453 und EN 12635, die es erlauben, die Konformität mit der Maschinenrichtlinie zu erklären.**

Weitere Auskünfte und Hinweise zur Analyse der Risiken und der Realisierung der Technischen Unterlagen stehen im Internet unter "www.niceforyou.com" zur Verfügung. Die vorliegende Anleitung ist nur für technisches, zur Installation qualifiziertes Personal bestimmt; keine im vorliegenden Heft enthaltene Information ist als interessant für den Endbenutzer zu betrachten!

- Ein Gebrauch von FT210B, der anders als in diesen Anweisungen vorgesehen ist, ist verboten. Ein unsachgemäßer Gebrauch kann Gefahren und Personen- oder Sachschäden verursachen.
- Keine Änderungen an beliebigen Teilen ausführen, falls nicht im vorliegenden Handbuch vorgesehen. Vorgänge dieser Art können nur Betriebsstörungen verursachen. NICE lehnt jegliche Haftung für Schäden aufgrund geänderter Produkte ab.
- FT210B darf ausschließlich durch direkte Interpolation zwischen TX und RX funktionieren; ein Gebrauch durch Rückstrahlung ist untersagt.

- Für die elektrischen Anschlüsse sind geeignete Leiter zu verwenden, wie in Kapitel "Installation" angegeben.
- Sicher stellen, dass die Stromversorgung und die anderen Betriebsparameter mit den Werten in Tabelle "technische Merkmale" übereinstimmen.
- Die Realisierung von Sicherheitsvorrichtungen für automatische Türen und Tore untersteht folgenden Vorschriften:
  - EN 12453 Türen und Tore für Industrie, Handel und Garagen. Sicherheit bei der Bedienung motorbetriebener Türen - Anforderungen
  - EN 12978 - Türen und Tore für Industrie, Handel und Garagen. Sicherheitsvorrichtungen für motorbetriebene Türen und Tore - Anforderungen und Testmethoden.

Die Installation und der Anschluss von FT210B mit dem Zweck, eine Sicherheitsvorrichtung zu realisieren, ohne dass aber den Anforderungen dieser Vorschriften gerecht wird, entsprechen Fahrlässigkeit und Missbrauch!

Besondere Hinweise über die Eignung dieses Produktes mit Bezugnahme auf die Richtlinie 89/336/CEE "Elektromagnetische Verträglichkeit" und spätere Änderungen 92/31/CEE und 93/68/CE:

dieses Produkt in den in der vorliegenden Anleitung vorgesehenen Konfigurationen und in Kombination mit den von Nice S.p.A. hergestellten Artikeln im Katalog wurde unter den schwierigsten Einsatzbedingungen Tests der elektromagnetischen Verträglichkeit unterzogen. Die elektromagnetische Verträglichkeit könnte nicht garantiert sein, wenn das Produkt in anderen Konfigurationen oder mit anderen, nicht vorgesehenen Produkten benutzt wird; der Gebrauch des Produktes in solchen Situationen ist untersagt, bis der die Installation Ausführende die Übereinstimmung mit den laut Richtlinie vorgesehenen Anforderungen überprüft hat.

## 2) Produktbeschreibung und Einsatz

FT210B ist eine Vorrichtung mit "BlueBUS" Technologie, mit der das Problem der elektrischen Verbindungen von Schaltleisten an sich bewegenden Torflügeln gelöst werden kann. Die Vorrichtung besteht aus einem Infrarotsender (TX), der über eine lang dauernde Batterie gespeist ist und auf dem beweglichen Torflügel angebracht wird, an dem die Schaltleiste angeschlossen ist. Hinzu kommt ein Empfänger (RX), der am festen Teil angebracht und über nur 2 Leiter mit allen Steuerungen und Vorrichtungen verbunden ist, die mit "BlueBUS" Technologie ausgestattet sind.

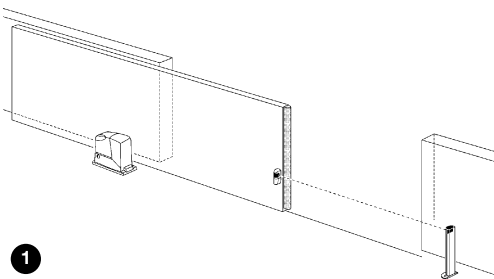
FT210B bietet 2 Einsatzmöglichkeiten:

- als Teil einer druckempfindlichen Sicherheitsvorrichtung (PSPE), durch die Überprüfung des Zustandes der Schaltleiste
- als Präsenzdetektor des Typs D (Photozelle), durch die Überprüfung der Unterbrechung des Infrarotstrahls

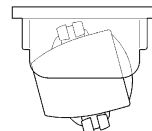
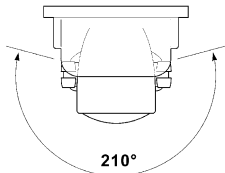
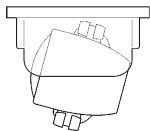
Im ersten Fall wird die Schaltleiste mit konstantem 8,2kOhm Widerstand vom Sender ständig überwacht; der Aktivierungs- bzw. Deaktivierungsstatus wird zum Empfänger übermittelt. Der Empfänger RX deutet die erhaltene Information aus und teilt sie über „BlueBUS“ Netz der Steuerung mit. Die Übertragung zwischen TX und RX und die "BlueBUS" Kommunikation zwischen RX und Steuerung sind mit so sicheren Techniken codiert, dass das gesamte System TX/RX/Steue-

rung der Fehlertoleranzklasse 3 gemäß EN 954-1 entspricht und daher an PSPE-Systemen, die mit EN 12978 konform sind, benutzt werden kann.

Im zweiten Fall, wenn TX und RX so angebracht werden, dass die optische Kommunikation durch die Durchfahrt (siehe Abbildung 1) erfolgt, kann die Vorrichtung auch als Präsenzdetektor (des Typs D gemäß EN 12453) benutzt werden, da ein Gegenstand, der den Strahl unterbricht, den Übergang des Präsenzdetektors in den Alarmzustand verursacht, der unabhängig und getrennt vom Aktivierungsstatus der Schaltleiste per BlueBUS gesendet wird.



Da FT210B horizontal um 210° und vertikal um 30° geschwenkt werden kann, kann die Vorrichtung auch dort benutzt werden, wo eine korrekte Fluchtung von TX mit RX aufgrund der Befestigungsflächen nicht möglich wäre (siehe Abb. 2).



2

**Die Fotovorrichtung FT210B, laut Anweisungen zusammengebaut und komplett mit ihrer Schalleiste TCB65 und Steuerung mit "BlueBUS" Technologie wurde vom Hersteller zertifiziert und ist, was die anwendbaren Teile betrifft, ganz oder teilweise konform mit folgenden Normen:**

- EN 954-1 Sicherheit von Maschinen - An die Sicherheit gebundene Teile der Steuersysteme - Allgemeine Planungsgrundsätze
- EN 1760-2 Sicherheit von Maschinen - Druckempfindliche

Schutzvorrichtungen - Allgemeine Grundsätze für die Planung und den Test druckempfindlicher Leisten und Stangen

- EN 12978 - Türen und Tore für Industrie, Handel und Garagen. Sicherheitsvorrichtungen für motorbetriebene Türen und Tore - Anforderungen und Testmethoden.

**⚠ Die Vorrichtung FT210B allein ist keine komplette Sicherheitsvorrichtung, sondern nur ein Teil einer Sicherheitsvorrichtung!**

### 3) Installation

**⚠ Alle Installationsarbeiten müssen ohne Spannung zur Anlage ausgeführt werden; die Pufferbatterie, falls vorhanden, muss abgetrennt werden.**

#### 3.1) Vorprüfungen

- Genau prüfen, dass die Einsatzparameter mit den Angaben im Kapitel "Technische Merkmale" übereinstimmen. Das Produkt im Zweifelsfall nicht benutzen und beim technischen Service von NICE Erläuterungen einholen.

Aufgrund der Besonderheit und Einzigartigkeit des Produkts sind vor der Installation, um maximale Sicherheit und Funktionalität zu erzielen, einige Aspekte bezüglich des Funktionsprinzips zu bewerten.

- Der Sender überprüft den Status der Schalleiste ständig und sendet die Information zum Empfänger. Um den Verbrauch der Batterie zu reduzieren und dennoch die erforderliche Sicherheit beizubehalten, wird diese Tätigkeit mit 2 verschiedenen "Geschwindigkeiten" ausgeführt: LANGSAM, wenn das Tor steht; SCHNELL, wenn sich das Tor bewegt. Der Sender erkennt den Zustand des sich bewegenden Tors über einen speziellen Sensor, der die Vibrationen der Torbewegung wahrnimmt. Sobald das Tor die Bewegung beginnt, geht der Sender auf Modus SCHNELL über und bleibt so, bis das Tor 10 oder 90 Sekunden lang steht (siehe Überbrückungen JP2 und JP3 in Tabelle 1). Um das erforderliche Sicherheitsniveau zu gewährleisten, muss der Empfänger den Status des Tors kennen, vor allem um zu prüfen, ob der Modus LANGSAM oder SCHNELL des Senders korrekt ist. Diese Kontrolle erfolgt über "BlueBUS"; während der gesamten Bewegung sendet die Steuerung die Meldung „Tor bewegt sich“ und der Empfänger überprüft, ob der Modus des Senders korrekt ist.
- FT210B wurde entwickelt, um keine Störungen an anderen Photozellen zu verursachen und von diesen nicht gestört zu werden; das bedeutet, dass FT210B mit anderen Photozellen kombiniert werden kann, aber unter Beachtung von folgendem:

1. wenn Photozellen mit BlueBUS Technologie benutzt werden, gibt es keine Probleme bezüglich der Menge der

Photozellen, die mit FT210B kombiniert werden können, falls wie in Abb. 4, 5 oder 6.

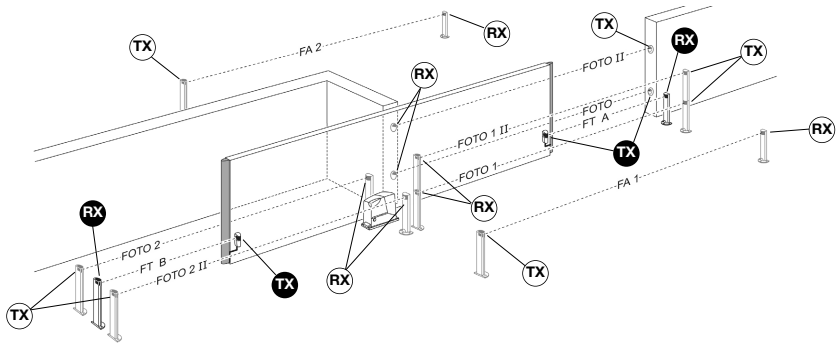
2. wenn konventionelle NICE Photozellen benutzt werden, wird der Betrieb mit mindestens einem zweiten Photozellenpaar garantiert.
3. wenn konventionelle, nicht von NICE hergestellte Photozellen benutzt werden, könnte der Betrieb nicht garantiert sein.

Um zu prüfen, dass keine Einflüsse durch andere Vorrichtungen vorhanden sind, das in Kap. 4 vorgesehene Abnahmeverfahren genauestens ausführen und die spezielle Meldung in Tabelle 4 überprüfen.

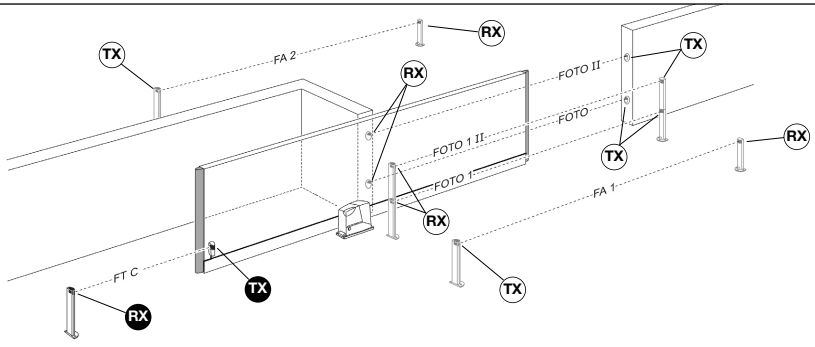
- Zwei Vorrichtungen FT210B zur Überwachung desselben Bereichs können nicht installiert werden; wenn ein Empfänger das Signal von zwei Sendern wahrnehmen sollte, wird er auf den "Notzustand" übergehen und die Torbewegung verhindern. Siehe die spezielle Meldung in Tabelle 4.
- Zwei Vorrichtungen FT210B können angebracht werden, um die Vorder- und die Rückseite desselben Tors (jeweils FT A und FT B) zu kontrollieren, wie in Abb. 3 gezeigt.
- An einen Torflügel mit nur einer Vorrichtung FT210B können 2 Schalleisten montiert sein, vorne und hinten (FT C); diese müssen miteinander kaskadengeschaltet werden, wie in Kap. 3.1.1 beschrieben. In diesem Fall kann FT210B sowohl als Präsenzdetektor benutzt werden (Sender und Empfänger sind wie in Abbildung 4 gezeigt anzubringen), oder einfach als Vorrichtung für die Statusanzeige der Schalleiste (Sender und Empfänger sind wie in Abbildung 5 gezeigt anzubringen).
- Im Fall von Torflügeln gegenüber, die als Master-Slave synchronisiert sind (mit Robus oder Run) können 2 Vorrichtungen FT210B (FT B und FT C) wie in Abbildung 6 gezeigt angebracht werden. An jedem Torflügel kann 1 Schalleiste installiert sein oder man kann 2 Schalleisten installieren (vorne und hinten), die miteinander kaskadengeschaltet sein müssen, wie in Kap. 3.1.1 beschrieben.

In allen auf den Abbildungen 3, 4, 5 und 6 gezeigten Fällen muss die Überbrückung JPX korrekt am Empfänger (siehe Tabelle 3) angebracht werden, damit die Funktion (FT A; FT B oder FT C) ausgeführt wird, wie in den jeweiligen Abbildungen gezeigt.

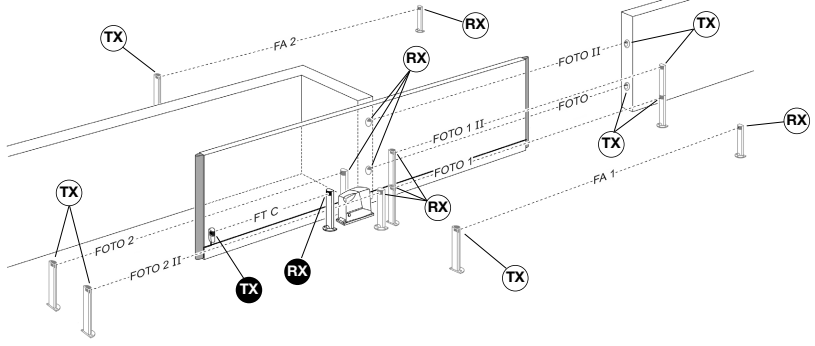
3



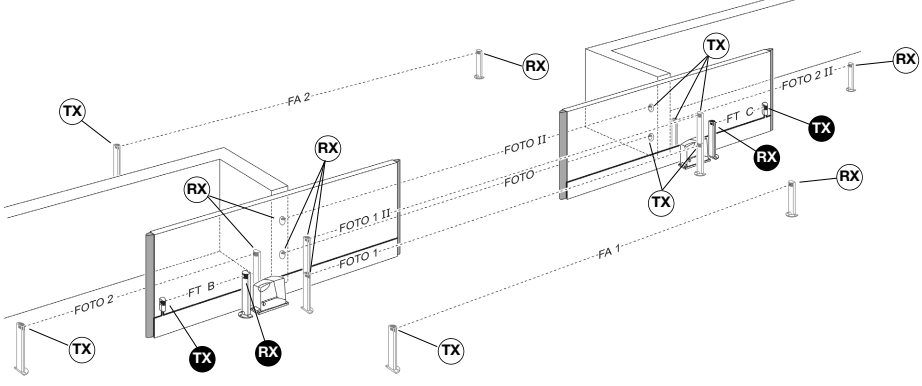
4



5



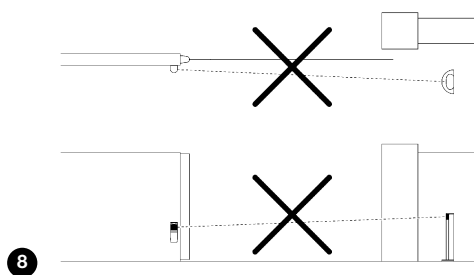
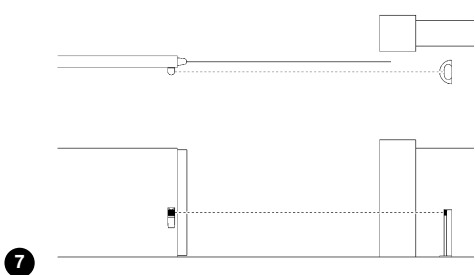
6



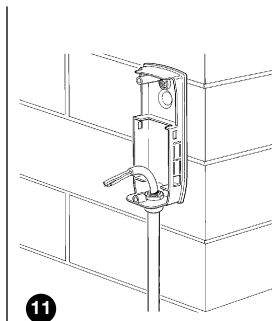
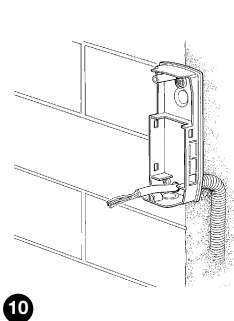
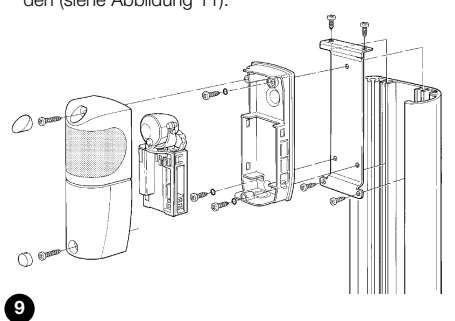
D

- Der Sender TX von FT210B gibt einen Strahl mit einem Winkel von ca.  $\pm 4^\circ$  ab. Daher ist eine einwandfreie Fluchtung von TX mit RX notwendig, die im gesamten Torlauf gleich sein muss.

In Abbildung 7 ist eine korrekte Montage gezeigt; Abb. 8 zeigt zwei Beispiele für eine falsche Montage.



- Je nach Bedarf kann der Empfänger mit Hilfe des Zubehörs FA2 auf einer Standsäule MOCF installiert (siehe Abbildung 9) oder an der Mauer befestigt werden. Wenn der Empfänger an der Mauer befestigt wird, kann das Kabel von der Hinterseite (siehe Abbildung 10) oder von unten eingeführt werden; in diesem Fall muss ein Kabelhalter des Typs "PG9" hinzugefügt werden (siehe Abbildung 11).



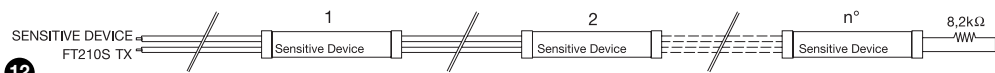
**Tabelle 1: Kabelliste**

Anschluss	Kabeltyp	Höchstlänge	Beschreibung
TX: Eingang der Schaltleiste	2x0,5mm <sup>2</sup>	20m	Eingang zur Statuslesung der Schaltleiste
RX: "BlueBUS"	2x0,5mm <sup>2</sup>	30m	Anschluss des Empfängers am "BlueBUS" Netz der Steuerungen

### 3.1.1) Anschluss von 2 oder mehreren Schaltleisten

Der Sender von FT210 verfügt über nur einen Eingang für Schaltleisten, aber zwei oder mehrere empfindliche Vorrichtungen, welche dieselbe Funktion ausführen, können wie in Abb. 12 gezeigt nacheinander kaskadengeschaltet werden, wobei nur ein 8,2 Kohm Endwiderstand einzuschalten ist.

**Achtung:** die Vorrichtungen mit konstantem Widerstand müssen miteinander kaskadengeschaltet werden, niemals serien- oder parallelgeschaltet!

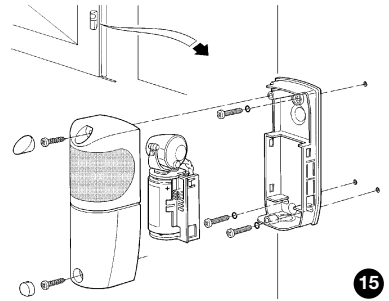
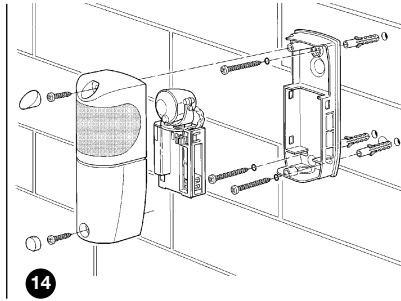
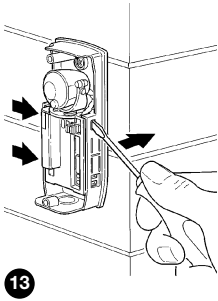




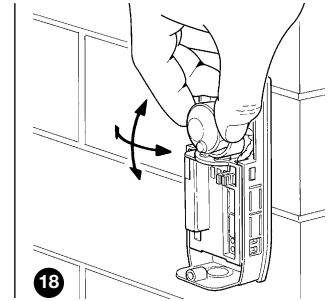
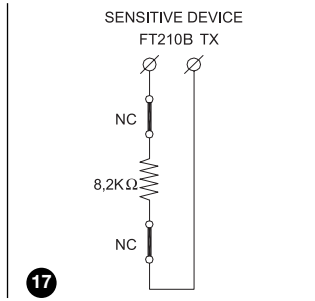
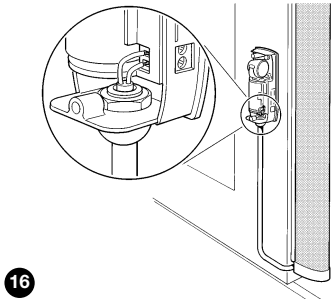
### 3.2) Befestigung der Vorrichtungen

Die Vorrichtungen in dieser Reihenfolgen installieren und befestigen:

1. Um die Befestigung zu erleichtern, kann die elektronische Karte vom Hinterteil getrennt werden, indem mit einem Schraubenzieher an den drei Einspannstellen angehoben wird - siehe Abb. 13.
2. Den Empfänger wie in Abb. 14 gezeigt befestigen.
3. Den Sender wie in Abb. 15 gezeigt auf den beweglichen Torflügel montieren.



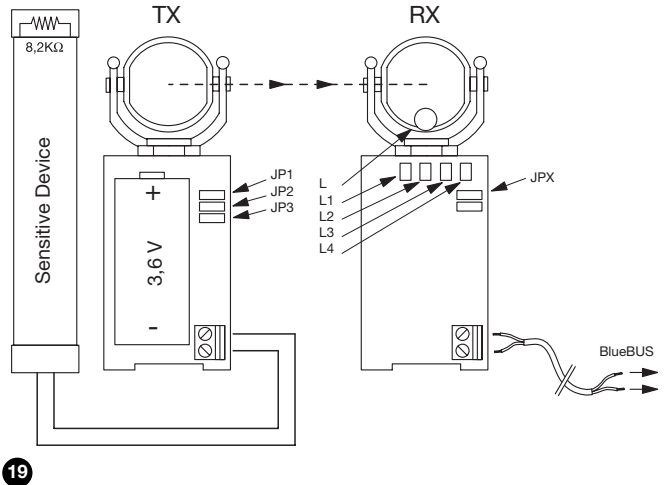
4. Am Sender den Anschluss der Schaltleiste mit konstantem 8,2Kohm Widerstand ausführen, wie in Abb. 16 gezeigt. Der Widerstand an den Klemmen von TX muss entfernt und als Endverschluss der Schaltleiste benutzt werden, oder er kann auch nicht benutzt werden, falls die Schaltleiste über ihren eigenen Endwiderstand verfügt.



Falls die Schaltleiste über einen Ausgang mit 2 gesonderten NC-Kontakten verfügt, kann sie wie in Abb. 17 gezeigt angeschlossen werden, wobei der 8,2Kohm Widerstand zwischen den beiden Kontakten serienschaltet wird. Prüfen, dass der Schaltleistenhersteller diese mindestens in Fehlertoleranzklasse 3 gemäß EN 954-1 klassiert hat.

**Achtung:** keine Schaltleisten verwenden, die als Ausgang einen NC-Einzelkontakt haben, da sie die vorschrittmäßige Fehlertoleranzklasse nicht haben.

5. Am Empfänger, die elektrischen Anschlüsse am "BlueBUS" gemäß den Angaben in den Anleitungen der Steuerung ausführen.
6. Die Linsen wie in Abb. 18 gezeigt ausrichten, so dass TX einwandfrei mit RX gefluchtet ist. Die korrekte Fluchtung wird dann gemäß Kapitel 4 "Abnahme" überprüft.
7. Die Überbrückungen sowohl an TX als auch an RX (siehe Abbildung 19) nach den Angaben in Tabellen 2 und 3 je nach gewünschter Funktionsweise programmieren.

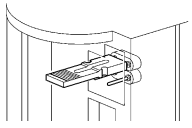
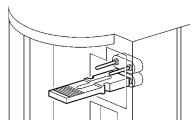
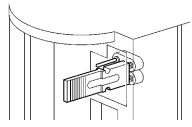


D

**Tabelle 2: Überbrückungen am Sender TX**

Überbrückung	Position	Beschreibung
JP1	Eingeschaltet	für Tore bis 15 Meter geeignete Senderleistung
	Ausgeschaltet	für Tore bis 7 Meter geeignete Senderleistung
JP2	Eingeschaltet	Commuta in trasmissione LENTA dopo 10 secondi al termine della manovra (vedere anche JP3) (empfohlen, um die Lebensdauer der Batterie zu verlängern).
	Ausgeschaltet	Schaltet 90 Sekunden nach Ende der Bewegung auf LANGSAME Sendung um (siehe auch JP3) (Empfohlen, wenn Funktionen wie "Änderung der Pausezeit", "Automatischer Zulauf nach Durchfahrt der Photozelle" usw.) benutzt werden)
JP3	Eingeschaltet	Schaltet am Ende der Bewegung auf LANGSAME Sendung um (Empfohlen, um die Batteriedauer zu verlängern)
	Ausgeschaltet	Schaltet nie auf LANGSAME Sendung um, sondern bleibt immer auf SCHNELL (Empfohlen für vibrationsfreie Tore)

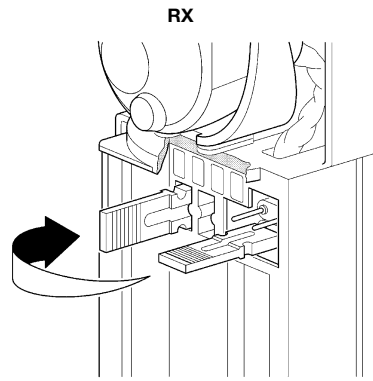
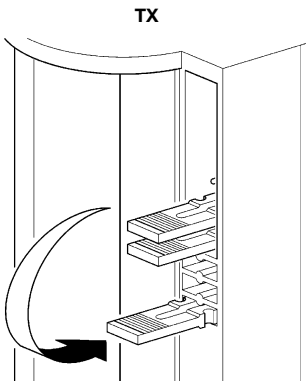
**Tabelle 3: Überbrückungen am Empfänger RX**

Fotovorrichtung	Ausgeführte Funktionen	Überbrückungen
<b>FT A</b> Hauptdurchfahrt	<ul style="list-style-type: none"> <li>Die Auslösung der Schalteiste verursacht sowohl in Öffnung als auch in Schließung eine kurze Umkehrung und das Anhalten der Bewegung</li> <li>Die Unterbrechung des Infrarotstrahls verursacht in Schließung die Umkehrung der Bewegung und hat in Öffnung keine Wirkung.</li> </ul>	
<b>FT B</b> Nebendurchfahrt	<ul style="list-style-type: none"> <li>Die Auslösung der Schalteiste verursacht sowohl in Öffnung als auch in Schließung eine kurze Umkehrung und das Anhalten der Bewegung</li> <li>Die Unterbrechung des Infrarotstrahls verursacht in Öffnung die Umkehrung der Bewegung und hat in Schließung keine Wirkung.</li> </ul> <p><b>Achtung: SIEHE ANMERKUNG 1</b></p>	
<b>FT C</b> Nebendurchfahrt	<ul style="list-style-type: none"> <li>Die Auslösung der Schalteiste verursacht sowohl in Öffnung als auch in Schließung eine kurze Umkehrung und das Anhalten der Bewegung</li> <li>Die Unterbrechung des Infrarotstrahls verursacht sowohl in Öffnung als auch in Schließung eine kurze Umkehrung und das Anhalten der Bewegung</li> </ul> <p><b>Achtung: SIEHE ANMERKUNG 2</b></p>	

**ANMERKUNG 1:** FTB kann auch an zweiteiligen Toren in der Master-Slave-Konfiguration verwendet werden (siehe Abbildung 6). In diesem Fall hat FT B dasselbe Verhalten wie FT C: die Auslösung der Schalteiste oder die Unterbrechung des Infrarotstrahls verursacht sowohl in Öffnung als auch in Schließung eine kurze Umkehrung und das Anhalten der Bewegung.

**ANMERKUNG 2:** FTC kann auch an einteiligen Toren benutzt werden (siehe die Abbildungen 4 und 5), an denen 2 Schalteisten (vorne und hinten) angebracht sind.

8. Die eventuell nicht benutzten Überbrückungen für zukünftige Anwendungen im dazu vorgesehenen Abteil unterbringen (siehe Abb. 20 und 21).

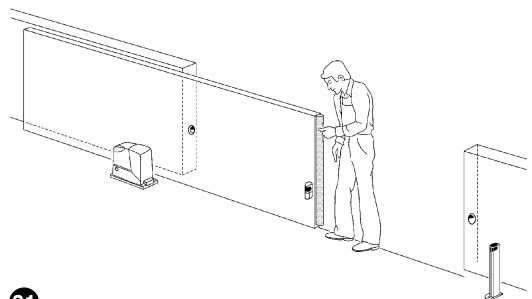
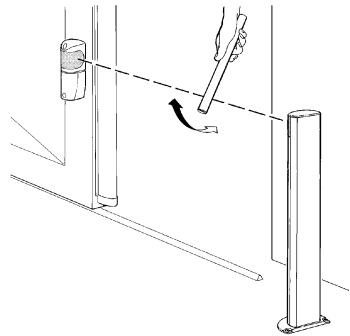


## 4) Abnahme

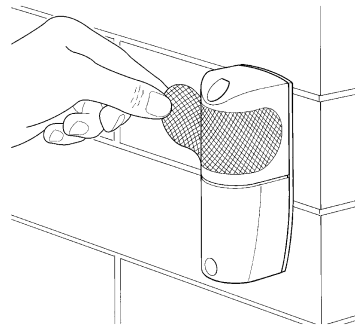
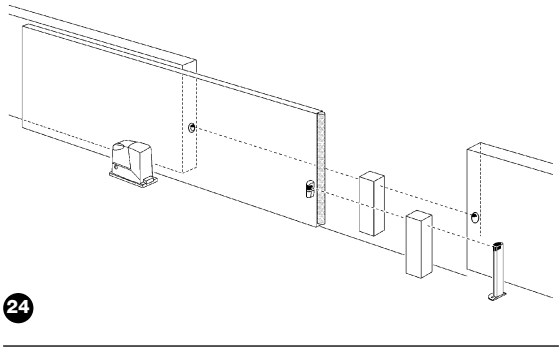
Für jedes einzelne Bestandteil des Automatismus muss eine spezielle Abnahme erfolgen. Für die Abnahme von "FT210B" ist folgende Arbeitssequenz durchzuführen: Sollten 2 Vorrichtungen FT210B vorhanden sein (siehe Abb. 3 und 4), muss die Arbeitssequenz für jede Vorrichtung wiederholt werden.

**Achtung:** an einigen Stellen sind Überprüfungen mit sich bewegendem Tor erforderlich; da die Automatisierung nicht entsprechend SICHER SEIN KÖNNTE, ist bei diesen Überprüfungen größte Vorsicht geboten.

1. Prüfen, ob alles in der vorliegenden Anweisung und insbesondere das in Kapitel 1 "HINWEISE" und 3 "Installation" angegebene genauestens eingehalten ist.
2. Das Tor entriegeln und den Torflügel ganz öffnen, so dass TX so weit wie möglich von RX entfernt ist.
3. Prüfen, dass zwischen TX und RX keine Hindernisse vorhanden sind.
4. Den Empfänger, falls bereits an "BlueBUS" angeschlossen, abtrennen und die Batterie aus dem Sender nehmen.
5. Die empfindliche Vorrichtung von den Klemmen des TX abtrennen und den Widerstandswert der Vorrichtung mit einem Ohmmeter messen. Prüfen, ob der Wert zwischen  $7700\Omega$  und  $8700\Omega$  liegt (Nennwert  $8200\Omega$ ).
6. Auf die Schallleiste drücken, um sie zu aktivieren, und den Widerstand erneut messen; prüfen, ob der Wert unter  $1000\Omega$  oder über  $16500\Omega$  ist
7. Die empfindliche Vorrichtung wieder an den TX Klemmen anschließen.
8. Den Empfänger wieder an "BlueBUS" anschließen und an der Steuerung die Erlernung der an "BlueBUS" angeschlossenen Vorrichtungen ausführen.
9. Prüfen, ob die LEDs L1 (Ir Level), L2 (Fototest Ko) und L3 (Sensitive Device Ko) leuchten und ob die LED L4 (Sensitive Device Ok) ausgeschaltet ist (siehe Abbildung 23).
10. Die Überbrückung JP3 an TX entfernen, so dass dieser immer SCHNELL sendet.
11. Falls die Entfernung zwischen TX und RX über 7m ist, prüfen, ob die Überbrückung JP1 an TX eingeschaltet und daher für Entfernungen bis 15m programmiert ist.
12. An TX, die Batterie FTA1 oder FTA2 einbauen (siehe die Abbildungen 29 oder 30).
13. Am Empfänger RX prüfen, ob die LED L1 (Ir Level) blinkt, ob L2 (Fototest Ko) und L4 (Sensitive Device Ok) leuchten und ob die L3 (Sensitive Device Ko) ausgeschaltet ist.
14. Ggf. die Fluchtung der Linsen von TX und RX optimieren - siehe Abb. 18. Die Anzeigen der LED L1 (Ir Level) beachten: je langsamer die LED blinkt, umso besser ist die Fluchtung; die optimale Einstellung hat man, wenn L1 langsam, max. 3 Mal pro Sekunde blinkt.
15. Den Test mit Anbringung der oberen Schutzvorrichtungen sowohl an TX als auch an RX wiederholen. Bitte bemerken: an der Schutzvorrichtung von TX befindet sich ein DämpfungsfILTER, der schlechtes Wetter bei der Bedienung simuliert.
16. Den Torflügel auf der gesamten Lauflänge bewegen und anhand des Blinkens von L1 prüfen, dass die Fluchtung immer optimal bleibt.
17. Zur Überprüfung von FT210B, was den Teil mit dem optischen Präsenzdetektor (Typ D) betrifft, und insbesondere um zu prüfen, dass keine Interferenzen mit anderen Vorrichtungen vorhanden sind, einen Zylinder mit 50 mm Durchmesser auf der optischen Achse zuerst nah an TX, dann nah an RX und abschließend in ihrer Mitte durchführen (siehe Abbildung 22). Prüfen, dass die Vorrichtung in allen Fällen ausgelöst wird und vom aktiven Zustand auf den Alarmzustand übergeht (L1 leuchtet) und umgekehrt;
18. Zur Überprüfung von FT210B, was den Teil mit der druckempfindlichen PSPE-Vorrichtung betrifft, die Schallleiste drücken und loslassen, wie auf Abb. 23 gezeigt, und prüfen, ob sich L4 einschaltet und L3 einschaltet, und umgekehrt.
19. Falls das die vorgezogene Programmierung ist, die Überbrückung JP3 an TX einschalten, so dass die Sendung nach ein paar Sekunden ab Bewegungsende auf LANGSAM umschaltet.
20. Falls der im vorherigen Punkt beschriebene Vorgang ausgeführt worden ist, prüfen, ob der Sender nach der vorgesehenen Zeit (siehe JP2 in Tabelle 2) auf LANGSAM umschaltet. Die Sendung im LANGSAMEN Modus ist daran zu erkennen, dass L1 wiederholt vier Mal kurz blinkt, gefolgt von einer Pause.



21. Den Torflügel wieder am Motor einkuppeln und dem Tor eine Bewegung ausführen lassen. Dabei überprüfen, dass sich L2 bei Beginn der Bewegung ausschaltet, was bedeutet, dass der Test des Sensors, der die Vibrationen der Torbewegung wahrnimmt, erfolgreich war.
22. Dem Tor verschiedene Bewegungen ausführen lassen und prüfen, dass Öffnung und Schließung korrekt und ohne Bewegungsumkehrungen erfolgen.
23. Weitere Bewegungen ausführen und den optischen Präsenzdetektor während der Schließung (falls "FT A" Funktion) oder während der Öffnung (falls "FT B" Funktion) oder bei beiden Bewegungen (falls "FT C" Funktion) auslösen, wie in Punkt 17 angegeben; prüfen, ob die vorgesehene Handlung, zum Beispiel eine kurze Bewegungsumkehrung und das Anhalten der Bewegung, verursacht wird.
24. Weitere Bewegungen ausführen und die Schaltleiste auslösen, wie in Punkt 18 angegeben; prüfen, ob die vorgesehene Handlung, zum Beispiel eine teilweise Bewegungsumkehrung, verursacht wird.
25. Die Überprüfung von FT210B, was den Teil mit dem optischen Präsenzdetektor (des Typs D) betrifft, muss gemäß EN 12445 mit einem 700x300x 200mm großen Parallellfach mit 3 matt-schwarzen Seiten und 3 weißglänzenden Seiten oder 3 Spiegelseiten ausgeführt werden, wie in Abb. 24 angegeben und in Kap. 7 der Norm EN 12445:2000 (oder Anlage A in prEN12445:2005) verlangt.
26. Die Überprüfung von FT210B, was den Teil mit der druckempfindlichen Vorrichtung PSPE betrifft, muss gemäß EN 12445 durch die Messung der Kraft an den vorgesehenen Stellen und mit dem speziellen Instrument ausgeführt werden, wie in Kapitel 5 der Norm EN 12445 verlangt, falls die durch die Torbewegung verursachten Gefahren mittels Begrenzung der Aufprallkraft gesichert sind.
27. Den Dämpfungsfilter nach Überprüfung aller vorherigen Punkte vom Glas des Empfängers RX entfernen, wie in Abbildung 25 gezeigt.
28. Am Ende der Abnahme alle Gehäuse der verschiedenen Vorrichtungen wieder schließen.



## 5) Weitere Auskünfte

In diesem Kapitel werden die Möglichkeiten für eine persönliche Gestaltung, die Diagnose und die Fehlersuche an FT210B behandelt.

### 5.1) Beispiel: Benutzung von FT210B nur als Präsenzdetektor

FT210B kann auch als einfacher Präsenzdetektor des Typs D, daher ohne Verbindung mit Schaltleiste benutzt werden.

In diesem Fall ist folgendes notwendig:

1. Die Montageschritte wie in Par. "Installation" angegeben ausführen, die Schaltleiste aber nicht anschließen und den 8200Ω Widerstand am Eingang von TX angeschlossen lassen.
2. Die Überbrückung "JP3" des Senders ausschalten, so dass die Sendung immer im Modus SCHNELL erfolgt.
3. Einschalten des Empfängers je nach Torbereich adressieren, wo FT210B angebracht werden soll (Abbildungen 3 und 4), und gemäß Tabelle 3.

**Anmerkung:** Der Sendemodus SCHNELL verkürzt die Dauer der Senderbatterie. In diesem Fall ist die Dauer einer Batterie des Typs "C" (Kit FTA1):

- ca. 24 Monate für Tore bis 7m (Überbrückung JP1 von TX ausgeschaltet)
- ca. 18 Monate für Tore bis 15m (Überbrückung JP1 von TX ausgeschaltet)

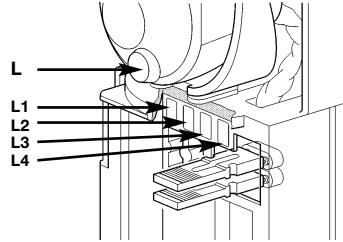
## 5.2) Anwendungsbeispiel von FT210B als «nur Statusdetektor der Schalleiste»

Wenn FT210B nur als Statusdetektor der Schalleiste, daher ohne der Funktion Präsenzdetektor benutzt wird, sollte die Photovorrichtung wie in Abbildung 5 und 6 gezeigt installiert werden. In diesem Fall ist folgendes notwendig:

1. Die Montageschritte wie in Par. "Installation" angegeben ausführen.
2. Die Überbrückungen am TX je nach Bedarf einstellen - siehe Tabelle 2.
3. Die Überbrückung JPX an RX (siehe Tabelle 3) korrekt einstellen, um die in den Abbildungen gezeigten Funktionen "FT B" oder "FT C" durchzuführen.

## 5.3) Meldungen

Der Empfänger von FT210B verfügt über LEDs (siehe Abbildung 26), die je nach Betriebsstatus verschiedene Leuchtanzeigen liefern.



26

**Tabelle 4: Meldungen**

Led L (rot)	Ursache	Handlung
2-Mal Schnellblinker Pause 2-Mal Schnellblinker	Meldung - Batterie leer an TX	Die Senderbatterie so schnell wie möglich mit einer neuen desselben Modells ersetzen.
Led L1 (rot) IR Level	Ursache	Handlung
regelmäßiges Blinken	Die Blinkfrequenz weist auf die Empfangsgüte hin: je langsamer das Blinken ist, umso besser ist der Empfang	Alles OK, wenn das Blinken langsam ist, max. 3 Mal pro Sekunde, andernfalls muss die Fluchtung zwischen TX und RX kontrolliert werden
Ein	Am Empfänger kommt kein Infrarotsignal von TX an.	Das Hindernis entfernen oder die Fluchtung zwischen TX und RX verbessern
2-Mal Schnellblinker Pause 2-Mal Schnellblinker	Falsche Funktion der Vorrichtung	Die Photovorrichtung FT210B hat eine unzulässige Funktion. Die Überbrückung des Empfängers korrekt einstellen (gemäß Tabelle 3).
3-Mal Schnellblinker Pause 3-Mal Schnellblinker	Vorrichtung nicht von der Steuerung erlernt	Das Erlernungsverfahren an der Steuerung wiederholen. Prüfen, ob alle Fotovorrichtungen FT210B verschiedene Funktionen haben.
4-Mal Schnellblinker Pause 4-Mal Schnellblinker	Sender im Modus LANGSAM	Alles OK, wenn das Tor steht
5-Mal Schnellblinker Pause 5-Mal Schnellblinker	Der Empfänger erhält ein Infrarotsignal, das er nicht erkennt und das interferiert	Ein fremder Sender überträgt ein Signal zum Empfänger; die Interferenz beseitigen und die Fluchtung aller vorhandenen Vorrichtungen kontrollieren.
7-Mal Schnellblinker Pause 7-Mal Schnellblinker	Der Empfänger erhält das Infrarotsignal eines zweiten Senders FT210B.	Den zweiten Sender beseitigen. Zwei Sender FT210B können nicht in demselben Bereich angebracht sein.
Led L2 (gelb) Fototest KO	Ursache	Handlung
Ein	Meldet einen Fehler beim Test am Bewegungsanfang, und der Sender ist nicht auf SCHNELL umgeschaltet	Wahrscheinlicher schlechter Betrieb des Bewegungssensors
Aus	Der Test am Beginn der letzten Bewegung war in Ordnung	Alles OK
Led L3 (rot) Sensitive Devuce KO	Ursache	Handlung
Ein	Die an TX angeschlossene Schalleiste ist aktiviert	Die Ursachen für die Aktivierung der Schalleiste überprüfen
Aus	Die an TX angeschlossene Schalleiste ist nicht aktiviert	Alles OK
Led L4 (grün) Sensitive Devuce OK	Ursache	Handlung
Ein	Die an TX angeschlossene Schalleiste ist nicht aktiviert	Alles OK
Aus	Die an TX angeschlossene Schalleiste ist aktiviert	Die Ursachen für die Aktivierung der Schalleiste überprüfen

## 5.4) Probleme und deren Lösungen

In Tabelle Nr. 5 sind nützliche Hinweise zu finden, um eventuelle Betriebsstörungen zu beheben, die bei der Installation oder aufgrund eines Defektes auftreten können.

Symptome	Empfohlene Überprüfungen
Das Tor kann nicht bewegt werden; alle LEDs am Empfänger von FT210B sind ausgeschaltet.	Prüfen, ob der Empfänger korrekt an "BlueBUS" angeschlossen ist.
Das Tor beginnt die Bewegung, stoppt aber nach 1 Sekunde; LED 2 (gelb) eingeschaltet	Der Test bei Bewegungsbeginn war nicht positiv und wahrscheinlicher Defekt des Torbewegungssensors an TX
Das Tor stoppt während des Laufs oder kehrt die Bewegung um; L1 (rot) ist fest leuchtend eingeschaltet	Das Vorhandensein eventueller Hindernisse und die Fluchtung zwischen TX und Rx auf der gesamten Lauflänge überprüfen.
Das Tor kehrt die Bewegung während des Laufs um; L3 (rot) ist eingeschaltet und L4 (grün) ist eingeschaltet.	Die Schalteiste wurde ausgelöst. Das eventuelle Hindernis entfernen oder korrekten Betrieb der Schalteiste überprüfen
Ab und zu stoppt das Tor während des Laufs oder kehrt die Bewegung um; L1 (rot) blinkt schnell bei geöffnetem Tor	Die Fluchtung zwischen TX und Rx auf der gesamten Lauflänge überprüfen.
Ab und zu stoppt das Tor während des Laufs oder kehrt die Bewegung um, manchmal blockiert es sich auch ganz und kann nicht mehr bewegt werden; die LED L (rot) blinkt ständig 2 Mal schnell	Die Batterie im TX ist leer und im schlechtesten Zustand erfolgt keine Kommunikation zwischen TX und RX. Das Blinken der LED L (rot) bedeutet, dass die Batterie gewechselt werden muss.

## 6) Wartung

Die Vorrichtung FT210B bedarf keiner besonderen Wartung, dennoch muss FT210B aber mindestens alle 6 Monate kontrolliert werden, mit Überprüfung des Zustandes der Fotovorrichtung (Vorhandensein von Feuchtigkeit, Rost, usw.), Reinigung des Außengehäuses sowie erneuter Durchführung der in Kapitel 4 beschriebenen "Abnahme". FT210B wurde entwickelt, um unter normalen Bedingungen mindestens 10 Jahre zu funktionieren; nach dieser Zeit sollte die Wartung häufiger ausgeführt werden. Die Senderbatterie auswechseln, wenn man gleich nach einer vollständigen Bewegung (mit Sender noch im Modus SCHNELL) eine Spannung unter 2,7V an der Batterie misst.

## 7) Entsorgung

Wie die Installationsarbeiten muss auch die Abrüstung am Ende der Lebensdauer dieses Produktes von Fachpersonal ausgeführt werden.

Dieses Produkt besteht aus verschiedenen Stoffen, von denen einige recycled werden können. Informieren Sie sich über die Recycling- oder Entsorgungssysteme, die für diese Produktkategorie von den örtlich gültigen Vorschriften vorgesehen sind.

**Achtung:** bestimmte Teile des Produktes können Schadstoffe oder gefährliche Substanzen enthalten, die, falls in die Umwelt gegeben, schädliche Wirkungen auf die Umwelt und die Gesundheit der Menschen haben könnten.

Wie durch das Symbol in Abb. 27 angegeben, ist es verboten, dieses Produkt zum Haushaltsmüll zu geben. Daher differenziert nach den Methoden entsorgen, die von den örtlich gültigen Verordnungen vorgesehen sind, oder das Produkt dem Verkäufer beim Kauf eines neuen, gleichwertigen Produktes zurückgeben.

Die örtlichen Verordnungen können schwere Strafen im Fall einer widerrechtlichen Entsorgung dieses Produktes vorsehen.

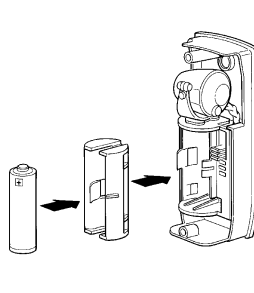
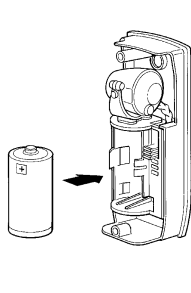
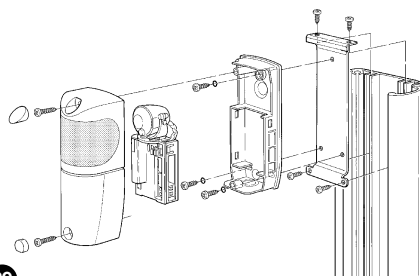
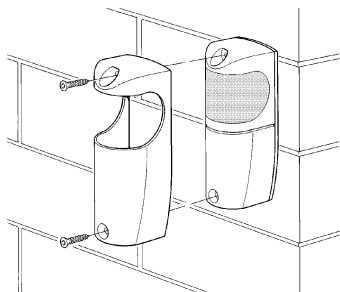
**Achtung:** das Produkt funktioniert mit Batterien, die Schadstoffe enthalten könnten und daher nicht in den Hausmüll gegeben werden dürfen. Nachdem sie aus dem Produkt genommen sind (siehe Par. "Ersatz der Batterie" in Kap. "Anweisungen und Hinweise für den Benutzer von FT210B") müssen sie nach den Methoden entsorgt werden, die für Batterien von den örtlichen Verordnungen vorgesehen sind.



## 8) Zubehör

Zur Verfügung steht folgendes Zubehör:

- FA1: aufbruchsicheres Metallgehäuse; Montage gemäß Abb. 28
- FA2: Bügel für die Befestigung auf Standsäulen "MOCF"; Montage gemäß Abb. 29
- FTA1: 3,6V, 7Ah Batterie Größe C; Montage gemäß Abb. 30
- FTA2: 3,6V, 2Ah Batterie Größe AA; Montage gemäß Abb. 31



## 9) Technische Merkmale

Für eine Verbesserung der Produkte behält sich NICE S.p.A. das Recht vor, die technischen Merkmale jederzeit und ohne vorherige Benachrichtigung zu ändern, wobei aber die vorgesehenen Funktionalitäten und Einsätze garantiert bleiben. Anmerkung: alle technischen Merkmale beziehen sich auf eine Temperatur von 20°C.

Technische Merkmale von FT210B	
Typik	Vorrichtung für die optische Übertragung des Status einer an sich bewegenden Teilen angebrachten Schaltleiste mit konstantem Widerstand, bestehend aus einem über Batterie gespeisten Infrarotsender (TX), angebracht auf dem sich bewegenden Torflügel, an dem die Schaltleiste angeschlossen ist, und aus einem auf dem festem Teil angebrachten Empfänger (RX)
Angewendete Technologie	Übertragung durch optische Direktinterpolation von TX und RX mit moduliertem und codiertem Infrarotstrahl
Empfängerversorgung	Die Vorrichtung kann nur an "BlueBus" Netze angeschlossen werden, aus denen sie die elektrische Versorgung entnimmt und die Ausgangssignale sendet.
Leistungsaufnahme des Empfängers	0,5 BlueBus Einheiten
Senderversorgung	3,6V mit Lithiumbatterie des Typs C oder AA
Dauer der Senderbatterie (mit JP3 eingeschaltet)	schätzungsweise länger als 15 Jahre mit 7Ah Batterie des Typs C (Einsatz an Wohngebäuden: Entfernung zwischen TX und RX bis 7m bei 20 Bewegungen pro Tag mit einer Dauer von 90 Sekunden) schätzungsweise ca. 5,5 Jahre mit 7Ah Batterie des Typs C (Einsatz an Industriegebäuden: Entfernung zwischen TX und RX bis 15m bei 200 Bewegungen pro Tag mit einer Dauer von 90 Sekunden) schätzungsweise ca. 6 Jahre mit 2Ah Batterie des Typs AA (Einsatz an Wohngebäuden: Entfernung zwischen TX und RX bis 7m bei 20 Bewegungen pro Tag mit einer Dauer von 90 Sekunden)
Bereich des Eingangs der empfindlichen Vorrichtung (Rs)	typisch 8,2KΩ; +22%/-65% für den Status "aktiviert" (EIN) Grenzwerte im aktiven Status (EIN): mit Rs > 2.870 und Rs < 10.010. Grenzwerte im nicht aktiven Status (AUS): mit Rs < 2.590. oder Rs > 11.060.
Detektionsvermögen des Präsenzzdetektors Typ D	Matte Gegenstände auf der optischen Achse zwischen TX und RX mit einer Größe über 50 mm und einer Geschwindigkeit unter 1,6m/s
Übertragungswinkel von TX	+/- 4° (bei 50% der Reichweite gemessener Wert)
Empfangswinkel von RX	+/- 3° (bei 50% der Reichweite gemessener Wert)
Ausrichtbarkeit	ca. 210° horizontal, 30° vertikal
Nutzreichweite	7m oder 15m (mit JP1 eingeschaltet an TX) bei einer maximalen Nichtfluchtung zwischen TX und RX von ± 2° (die Reichweite könnte sich bei besonders schlechten Umgebungsbedingungen wie Nebel, Regen, Schnee, Staub, usw. weiter reduzieren)
Max. Reichweite (unter optimalen Bedingungen)	15m oder 30m (mit JP1 eingeschaltet an TX) bei einer maximalen Nichtfluchtung zwischen TX und RX von ± 2°
Ansprechzeit des Präsenzzdetektors	< 96ms (typisch 65ms) mit 1 Photozellenpaar MOFB, das zusammen mit FT210B angeschlossen ist
Ansprechzeit der Schaltleiste	< 64ms (typisch 50ms)
Fehlertoleranzklasse	3 (gemäß EN 954-1)
Benutzung in säure- und salzhaltiger oder potentiell explosionsgefährdeter Umgebung	Nein
Montage	RX: Vertikale Wandmontage oder auf Standsäule "MOCF" mit Befestigungsbügel "FA2" TX: direkt am Tor mit den mitgelieferten Schrauben.
Schutzart Gehäuse	IP44
Betriebstemperatur	-20 ÷55°C
Abmessungen:	46 x 128 h 45mm
Gewicht	Empfänger: 135g. Sender 165g mit FTA1 oder 140g mit FTA2





Die vorliegenden Anweisungen können und müssen die "Anweisungen und Hinweise für den Gebrauch der Automatisierung" ergänzen, die der Installateur dem Besitzer der Automatisierung übergeben muss.

- **Wartung:** Wie jede Maschine benötigt auch Ihre Automatisierung eine regelmäßige Wartung, damit sie so lange wie möglich und in voller Sicherheit funktionieren kann. Vereinbaren Sie mit Ihrem Installateur einen programmierten Wartungsplan. Nice empfiehlt eine programmierte Wartung alle sechs Monate bei Normalgebrauch für den Haushalt, dieser Zeitraum kann aber je nachdem, wie häufig die Anlage benutzt wird, unterschiedlich sein. Arbeiten wie Wartung, Kontrollen und Reparaturen dürfen nur von Fachpersonal ausgeführt werden.
- Auch wenn Sie meinen, dass Sie wissen, wie das gemacht wird, ändern Sie die Anlage und die programmierten Parameter sowie die Einstellungen der Automatisierung nicht: diese Verantwortung steht Ihrem Installateur zu.
- Die Endabnahme, die periodischen Wartungen und eventuelle Reparaturen müssen von dem, der diese Arbeiten ausführt, belegt sein, und diese Belege müssen vom Besitzer der Anlage aufbewahrt werden.
- Die einzigen Eingriffe, die Sie ausführen und periodisch auch ausführen sollten, sind die Reinigung der Gläser an den Photozellen und die Entfernung eventueller Blätter oder Steine, die den Automatismus behindern könnten. Um zu verhindern, dass jemand das Tor betätigt, entriegeln Sie vor diesen Arbeiten den Automatismus. Zur Reinigung nur ein mit Wasser leicht benetztes Tuch verwenden.
- Entsorgung: Versichern Sie sich, dass die Entsorgung am Ende der Lebensdauer Ihrer Automatisierung von Fachpersonal gemacht wird und dass die Materialien nach den örtlich gültigen Methoden recycled oder entsorgt werden.
- **Ersatz der Senderbatterie** von FT210B  
Der Sender am sich bewegenden Torflügel verfügt über eine spezielle 3,6V Lithiumbatterie. Die geschätzte Lebensdauer ist mehrere Jahre und hängt von den Betriebsbedingungen ab. Einige Monate, bevor die Batterie ganz leer ist, ist eine Meldung vorgesehen, so dass Sie

genügend Zeit zum Auswechseln der Batterie haben. Wenn sie am **Empfänger** am festen Teil (an der Mauer wie in Abb. A oder auf Standsäule wie in Abb. B) diese Meldung bemerken: **2 Mal Schnellblinken gefolgt von einer 1s langen Pause**

Muss die Batterie im **Sender** am Torflügel gewechselt werden. Hierzu:

- 1) Die Kappen entfernen, mit denen die Schrauben bedeckt sind - siehe Abb. C.
- 2) Die Deckelschrauben lösen und den Deckel entfernen - siehe Abb. C
- 3) Die alte Batterie mit einem Schraubenzieher anheben und herausnehmen
- 4) Vor dem Einfügen der neuen Batterie ca. 10 Sekunden warten
- 5) Die Polung beachten: Pluspol nach oben
- 6) Die neue Batterie gemäß Abb. D oder E und je nach benutztem Modell einfügen
- 7) Den Deckel mit den Schrauben befestigen und die Kappen einfügen

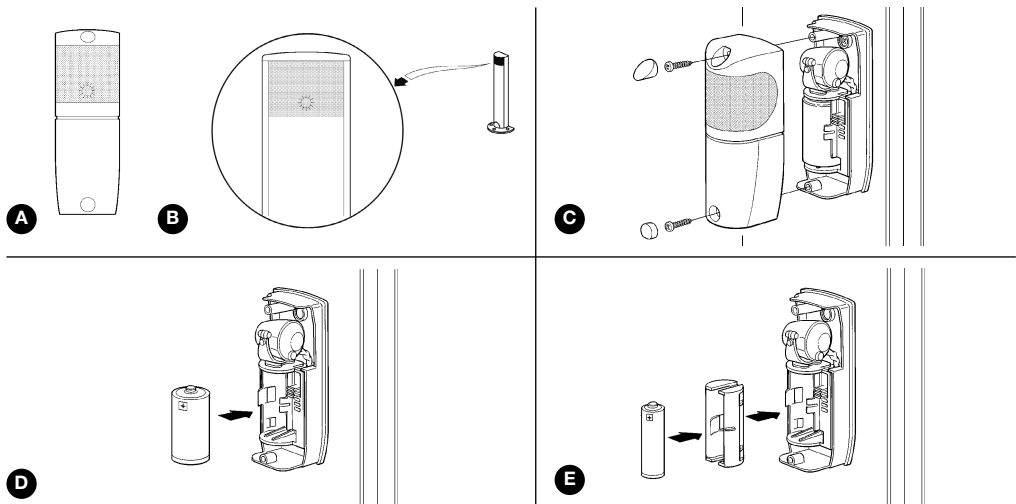
**Achtung:** das Produkt funktioniert mit Batterien, die Schadstoffe enthalten könnten und daher nicht in den Hausmüll gegeben werden dürfen. Nachdem sie aus dem Produkt genommen sind (siehe Par. "Ersatz der Batterie" in Kap. "Anweisungen und Hinweise für den Benutzer von FT210B") müssen sie nach den Methoden entsorgt werden, die für Batterien von den örtlichen Verordnungen vorgesehen sind.



Zur Verfügung stehen 2 Batterietypen:

- FTA1: 3,6V, 7Ah Batterie Größe C; Montage gemäß Abb. D
- FTA2: 3,6V, 2Ah Batterie Größe AA; Montage gemäß Abb. E

**Achtung: die in diesem Produkt benutzten Batterien sind keine konventionellen Alkalibatterien. Der Ersatzbatterie-Kit "FTA1" oder "FTA2" kann bei Nice s.p.a. bestellt werden.**





## 1) Advertencias

Este manual de instrucciones contiene informaciones importantes en materia de seguridad para la instalación, es necesario leer detenidamente todas las instrucciones antes de comenzar la instalación. Conserve este manual en buenas condiciones para su consultación posterior.

Considerando los peligros que pueden generarse durante la instalación y el uso de FT210B, para la seguridad máxima es necesario que la instalación sea realizada respetando plenamente las leyes, normas y reglamentos.

**Según la legislación europea más reciente, la realización de una puerta o portón automático entra en el ámbito de las disposiciones de la Directiva 98/37/CE (Directiva de Máquinas) y, en particular, en las normas: EN 13241-1 (norma armonizada); EN 12445; EN 12453 y EN 12635, que permiten declarar la conformidad con la directiva de máquinas.**

Otras informaciones, directrices para el análisis de los riesgos y la realización del Expediente Técnico están disponibles en: "www.niceforyou.com". Este manual está destinado únicamente al personal técnico cualificado para la instalación; ninguna información contenida en este manual puede ser considerada de interés para el usuario final.

- Está prohibido utilizar FT210B para una finalidad diferente de aquella dispuesta en estas instrucciones; un uso inadecuado puede ser peligroso o causar daños a las personas o bienes.
- No modifique ninguna parte salvo si está previsto en estas instrucciones; los trabajos de este tipo pueden causar solamente desperfectos; NICE no es responsable de los daños que deriven de productos modificados.
- FT210B debe funcionar solamente por interpolación directa TX-RX; está prohibido utilizarla por reflexión.

- Para las conexiones eléctricas utilice conductores adecuados tal como indicado en el capítulo "instalación".
- Controle que la alimentación eléctrica y los demás parámetros de uso correspondan con los valores indicados en la tabla "características técnicas".
- La realización de los dispositivos de seguridad para puertas y cancelas automáticas está sujeta a las siguientes normativas:
  - EN 12453 Puertas industriales, comerciales, de garaje y portones. Seguridad de utilización de puertas motorizadas - Requisitos.
  - EN 12978 - Puertas industriales, comerciales, de garaje y portones - Dispositivos de seguridad para puertas y portones motorizados - Requisitos y métodos de ensayo.

La instalación y la conexión de FT210B, con la finalidad de efectuar un dispositivo de seguridad, sin satisfacer los requisitos de estas normas representa una negligencia y abuso deliberado.

Advertencias especiales sobre la idoneidad para el uso de este producto con relación a la Directiva "Compatibilidad Electromagnética" 89/336/CEE y modificación siguiente 92/31/CEE y 93/68/CEE:

Este producto ha sido sometido a los ensayos en materia de compatibilidad electromagnética en las situaciones de uso más duras, en las configuraciones previstas en este manual de instrucciones y en combinación con los artículos presentes en el catálogo de productos de Nice S.p.A. Si el producto se utilizara con configuraciones o con otros productos no previstos, podría perderse la garantía de la compatibilidad electromagnética; en dichas condiciones, está prohibido el uso del producto hasta que la persona que efectúa la instalación haya verificado que responde a los requisitos previstos por la directiva.

## 2) Descripción del producto y uso previsto

FT210B es un dispositivo con tecnología "BlueBUS" que permite resolver el problema de las conexiones eléctricas de las bandas sensibles montadas en las hojas móviles. Está formado de un transmisor de rayos infrarrojos (TX), alimentado por una batería de larga duración, que se monta sobre la hoja móvil en la que se conecta la banda sensible. A esto se suma un receptor (RX), situado en la parte fija y conectado solamente por 2 cables a todas las centrales y dispositivos dotados de tecnología "BlueBUS".

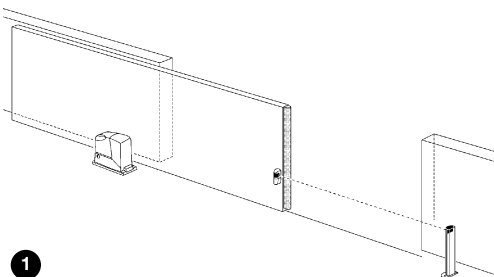
FT210B permite 2 posibilidades de uso:

- como parte de un dispositivo de seguridad sensible a la presión (PSPE), mediante la comprobación del estado de la banda sensible
- como detector de presencia tipo D (fotocélula) mediante la comprobación de la interrupción del rayo infrarrojo

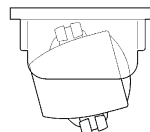
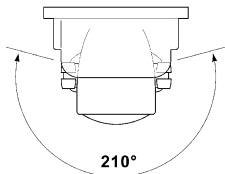
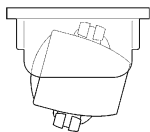
En el primer caso, la banda sensible de resistencia constante 8,2kohm es controlada continuamente por el transmisor, y el estado de activación o desactivación es enviado al receptor. El receptor RX interpreta la información recibida y la comunica a la central mediante la red "BlueBUS". La transmisión entre TX-RX y la comunicación "BlueBUS" entre TX y la central están codificadas con técnicas de alta seguridad que permiten que todo el sistema TX/RX/Central responda a la categoría 3 de seguridad referida a las averías, según la

norma EN 954-1, y, por consiguiente, pueda utilizarse en sistemas PSPE conformes a la norma EN 12978.

En el segundo caso, si TX y RX se colocan de manera que la comunicación óptica se realice mediante el paso (véase la figura 1), el dispositivo pueda utilizarse también como detector de presencia (tipo D según la norma EN 12453); en efecto, un objeto que interrumpe el rayo provoca el paso al estado de alarma del detector de presencia, que es enviado mediante BlueBUS de manera diferente y separada por el estado de activación de la banda.



Dado que es posible orientarlo a 210° sobre el eje horizontal y 30° sobre el eje vertical, el FT210B también puede utilizarse donde las superficies de fijación impiden una alineación correcta entre TX y RX (véase la figura 2).



2

**El fotodispositivo FT210B, ensamblado según las instrucciones y dotado de banda sensible TCB65 y central de mando con tecnología "BlueBUS", ha sido certificado por el fabricante resultando conforme total o parcialmente para las piezas a las siguientes normativas:**

- EN 954-1 Seguridad de las máquinas. Partes de los sistemas de mando relativas a la seguridad. Parte 1: principios generales para el diseño
- EN 1760-2 Seguridad de las máquinas. Dispositivos de

protección sensibles a la presión. Parte 2: Principios generales para el diseño y ensayo de paragolpes, placas, cables y dispositivos similares sensibles a la presión

- EN 12978 - Puertas industriales, comerciales, de garaje y portones - Dispositivos de seguridad - Requisitos y Métodos de ensayo.

**⚠ ¡El FT210B solo no es un dispositivo de seguridad completo sino que es sólo una parte de este!**

### 3) Instalación

**⚠ Todas las operaciones de instalación deben realizarse sin tensión en la instalación; si hubiera una batería compensadora montada, desconéctela.**

#### 3.1) Controles preliminares

- Controle detenidamente que los parámetros de utilización concuerden con los datos indicados en el capítulo "Características técnicas". Si tuviera dudas, no utilice el producto y contacte con el servicio de asistencia técnica de Nice.

Dada la peculiaridad y la unicidad del producto, antes de proceder con la instalación, es necesario evaluar algunos aspectos relativos al principio de funcionamiento para poder obtener la máxima seguridad y funcionalidad.

- El transmisor controla continuamente el estado de la banda sensible y envía la información al receptor. Para reducir el consumo de la batería y mantener la seguridad necesaria, dicha actividad se desarrolla con 2 "velocidades" diferentes: LENTA cuando la cancela está detenida; RÁPIDA cuando la cancela está moviéndose. El transmisor reconoce que la cancela se está moviendo mediante un sensor especial que detecta las vibraciones de la cancela en movimiento. Ni bien la cancela empieza a moverse, el transmisor pasa al modo RÁPIDO y permanece así hasta que la cancela deja de moverse durante 10 ó 90 segundos (véanse los puentes de conexión JP2 y JP2 en la tabla JP3). Para garantizar el nivel de seguridad requerido, el receptor debe conocer el estado de la cancela, especialmente para verificar si el modo LENTO o RÁPIDO del transmisor es correcto. Este mecanismo de control se produce mediante "BlueBUS"; durante toda la maniobra, la central envía la señal de cancela moviéndose y el receptor comprueba el modo correcto del transmisor.
- FT210B ha sido estudiado para no provocar perturbaciones a otras fotocélulas y para no ser perturbado por éstas, lo cual significa que FT210B puede combinarse con otras fotocélulas, pero es necesario observar que:
  1. si se utilizan fotocélulas con tecnología BlueBUS, no hay problemas sobre el número de fotocélulas a combinar con el fotodispositivo FT210B, siempre y cuando se instalen tal

como indicado en la fig. 4, 5 ó 6 y programado en la tabla 3.

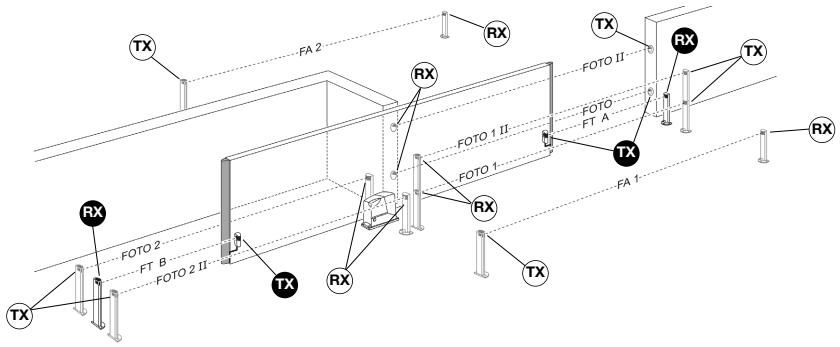
2. si se utilizan fotocélulas tradicionales fabricadas por NICE, se garantiza el funcionamiento con otro par de fotocélulas como mínimo
3. si se utilizan fotocélulas tradicionales no fabricadas por NICE, no se garantiza el funcionamiento

De todas maneras, para comprobar que no haya perturbaciones con otros dispositivos, siga escrupulosamente el procedimiento de ensayo indicado en el capítulo 4 y compruebe la señalización específica en la tabla 4.

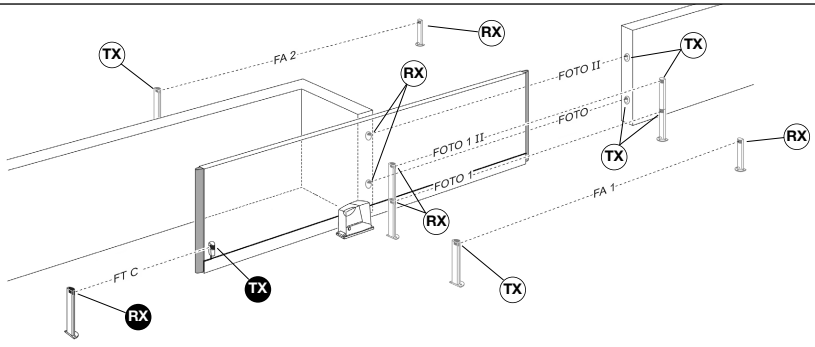
- No pueden montarse dos dispositivos FT210B para controlar la misma zona; si un receptor debe detectar la señal de dos transmisores, entraría en estado de "seguridad", impidiendo el movimiento de la cancela. Véase la señalización específica en la tabla 4.
- Se pueden montar dos dispositivos FT210B para controlar la parte delantera (FT A) y trasera (FT B) de una misma cancela, como se muestra en la figura 3.
- En una hoja con un solo FT210B se pueden montar 2 bandas sensibles, delantera y trasera (FT C), que deberán conectarse entre sí en cascada, tal como descrito en el capítulo 3.1.1. En este caso es posible utilizar el FT210B como detector de presencia, colocando el transmisor y el receptor tal como se muestra en la figura 4, o bien se puede utilizar como simple detector del estado de la banda sensible, colocando el transmisor y el receptor tal como se muestra en la figura 5.
- En el caso de hojas contrapuestas y sincronizadas en modalidad master-slave (con Robus o Run), es posible montar 2 dispositivos FT210B (FT B y FT C) tal como se muestra en la figura 6. En cada hoja puede montarse 1 banda sensible o bien 2 bandas sensibles (delantera y trasera), que deberán conectarse entre sí en cascada, tal como descrito en el capítulo 3.1.1.

En todos los casos indicados en las figuras 3, 4, 5 y 6 hay que colocar el puente de conexión JPX en el receptor (véase la tabla 3) exactamente para obtener la función (FT A; FT B o FT C), tal como indicado en las figuras respectivas.

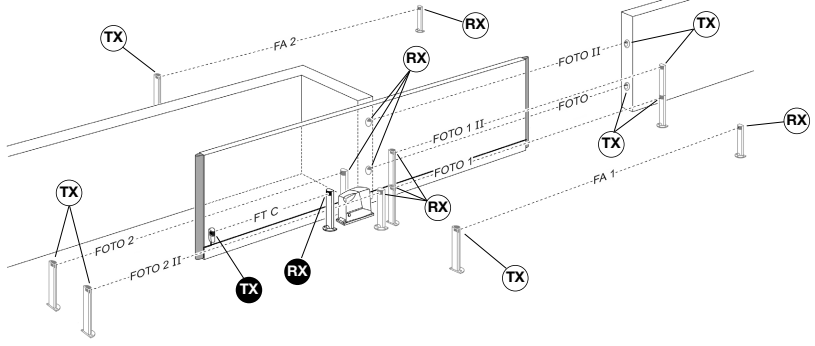
3



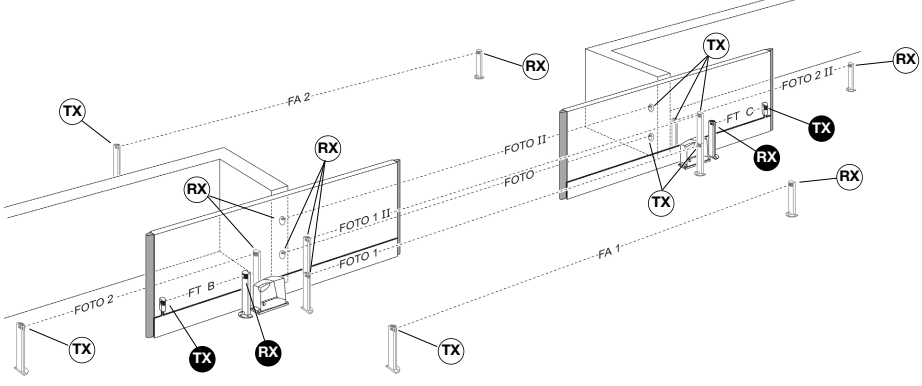
4



5

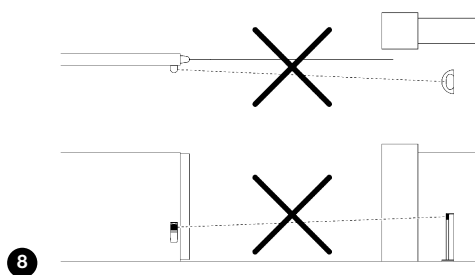
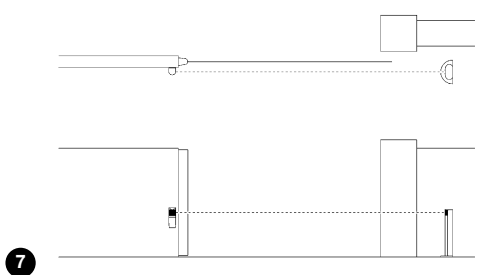


6

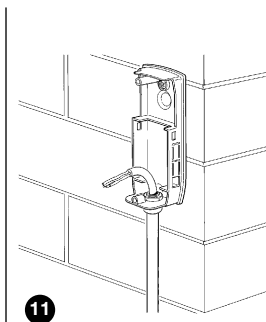
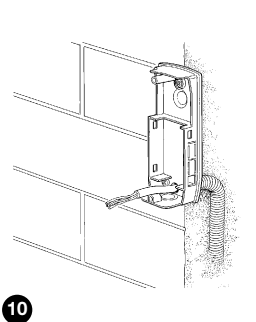
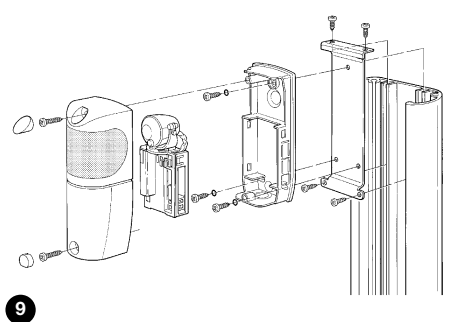


E

- El transmisor TX del FT210B emite un rayo con un ángulo de unos  $\pm 4^\circ$ , por lo tanto, es necesario efectuar una alineación perfecta entre TX y RX, que debe mantenerse constante a lo largo de toda la carrera de la cancela. En la figura 7 se muestra un montaje correcto; en la figura 8 se muestran dos ejemplos de montaje incorrecto.



- Según las necesidades, el receptor puede instalarse en una columna MOCF con el accesorio específico FA2 (véase la figura 9), o bien puede fijarse a la pared; en este caso, el cable puede entrar desde el fondo (véase la figura 10) o desde abajo; en este último caso, hay que montar un prensaestopas tipo "PG9" (véase la figura 11).



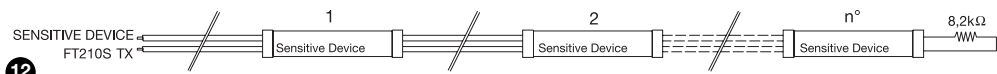
**Tabla 1: listado de los cables**

Conexión	Tipo de cable	Longitud máxima	Descripción
TX: entrada banda sensible	2x0,5mm <sup>2</sup>	20m	Entrada para lectura estado de la banda sensible
RX: "BlueBUS"	2x0,5mm <sup>2</sup>	30m	Conexión del receptor a la red "BlueBUS" de las centrales de mando

### 3.1.1) Conexión de 2 o varias bandas sensibles

El transmisor de FT210B dispone de una sola entrada para bandas sensibles; sin embargo, dos o varios dispositivos sensibles, que cumplan la misma función, pueden conectarse en cascada, uno después de otro, como se muestra en la figura 12, poniendo una sola resistencia de 8,2k $\Omega$  de terminación.

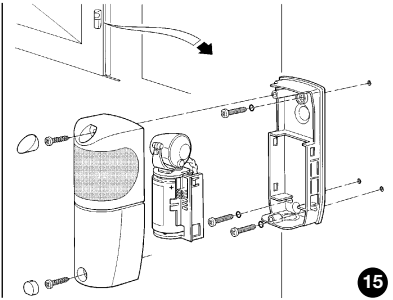
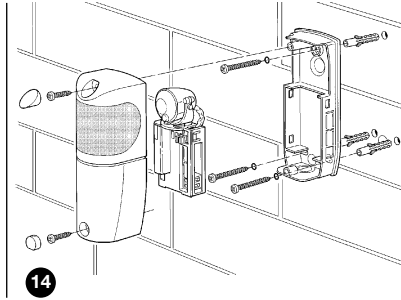
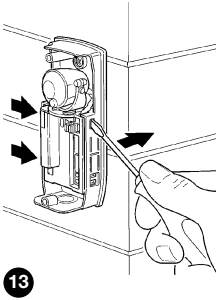
**Atención:** los dispositivos de resistencia constante deben conectarse en cascada y nunca en serie ni en paralelo entre sí.



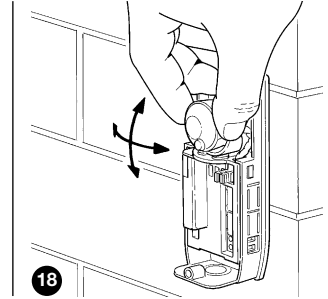
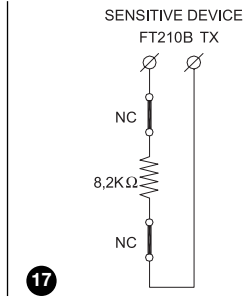
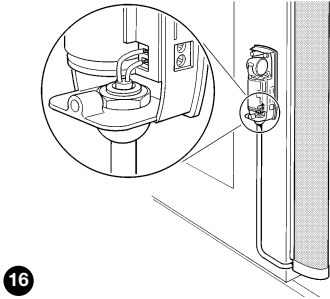
### 3.2) Fijación de los dispositivos

Instale y fije los dispositivos según la siguiente secuencia de operaciones:

1. Para facilitar la fijación es posible separar la tarjeta electrónica del fondo, haciendo palanca con un destornillador en los tres encastres, tal como indicado en la figura 13.
2. Fije el receptor tal como indicado en la figura 14.
3. Monte el transmisor en la hoja móvil, tal como indicado en la figura 15.



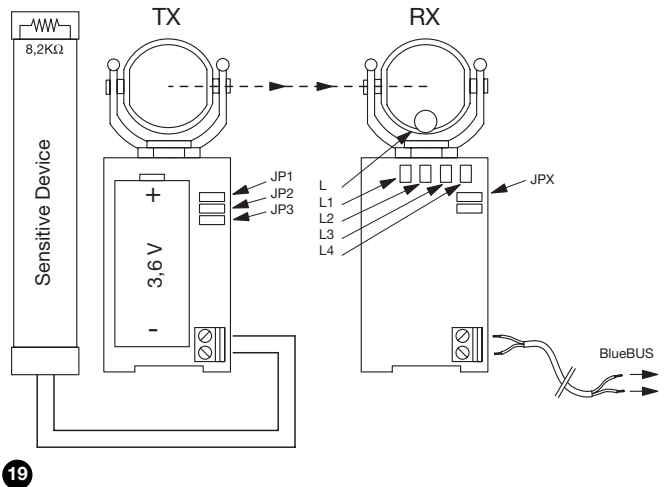
4. Realice en el transmisor la conexión eléctrica de la banda sensible, de resistencia constante  $8,2K\Omega$ , tal como se muestra en la figura 16. La resistencia en los bornes del TX debe quitarse y utilizarse como terminal de la banda sensible, o bien puede no utilizarse cuando la banda tenga una resistencia de terminación propia.



Si la banda sensible tiene una salida con 2 contactos NC disponibles por separado, es posible conectarla tal como indicado en la figura 17, conectando la resistencia de  $8,2K\Omega$  en serie entre los dos contactos. Controle que el fabricante de la banda sensible declare como mínimo la categoría 3 de seguridad referida a las averías, según la norma EN 954-1.

**Atención:** no utilice bandas sensibles que tengan como salida un contacto NC; no tendrían la categoría de seguridad referida a las averías requerida por las normativas.

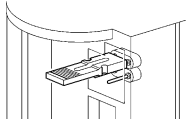
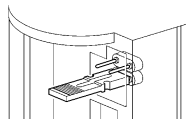
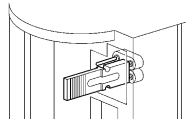
5. Realice en el receptor las conexiones eléctricas a "BlueBUS" según lo indicado en el manual de instrucciones de la central de mando.
6. Oriente las lentes tal como indicado en la figura 18 para alinear de la mejor manera posible el TX con el RX. La alineación debe comprobarse tal como indicado en el capítulo 4 "Ensayo".
7. Programe los puentes de conexión presentes en TX y RX (véase la figura 19) para el funcionamiento deseado, según lo indicado en las tablas 2 y 3.



**Tabla 2: puentes de conexión en el transmisor TX**

Puente de conexión	Posición	Descripción
JP1	Conectado	Potencia del transmisor adecuada para cancelas de hasta 15 metros
	Desconectado	Potencia del transmisor adecuada para cancelas de hasta 7 metros
JP2	Conectado	Conmuta a la transmisión LENTA después de 10 segundos al final de la maniobra (véase también JP3) (Aconsejado para aumentar la duración de la batería)
	Desconectado	Conmuta a la transmisión LENTA después de 90 segundos al final de la maniobra (véase también JP3) (Aconsejado cuando se utilizan funciones tipo "regeneración tiempo pausa", "Cerrar inmediatamente después de fotocélula", etc.)
JP3	Conectado	Al final de la maniobra, conmuta a la transmisión LENTA (Aconsejado para prolongar la duración de la batería)
	Desconectado	Nunca conmuta a la transmisión LENTA sino que siempre queda en modo RÁPIDO (Aconsejado para cancelas sin vibraciones)

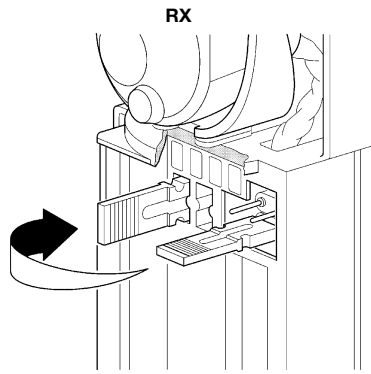
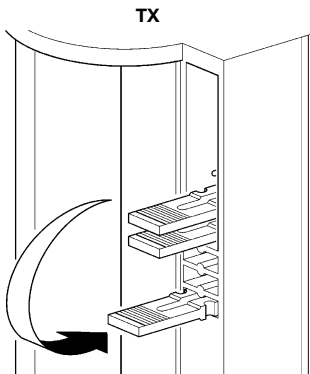
**Tabla 3: puentes de conexión en el receptor RX**

Fotodispositivo	Funciones ejecutadas	Puentes de conexión
<b>FT A</b> Paso principal	<ul style="list-style-type: none"> <li>El accionamiento de la banda sensible, tanto durante la maniobra de apertura como en la de cierre, provoca una breve inversión y la parada del movimiento</li> <li>La interrupción del rayo infrarrojo durante la maniobra de cierre provoca la inversión del movimiento; en la maniobra de apertura no produce ningún efecto</li> </ul>	
<b>FT B</b> paso secundario	<ul style="list-style-type: none"> <li>El accionamiento de la banda sensible, tanto durante la maniobra de apertura como en la de cierre, provoca una breve inversión y la parada del movimiento</li> <li>La interrupción del rayo infrarrojo durante la maniobra de apertura provoca la inversión del movimiento; en la maniobra de cierre no produce ningún efecto</li> </ul> <p><b>Atención: VÉASE LA NOTA 1</b></p>	
<b>FT C</b> paso secundario	<ul style="list-style-type: none"> <li>El accionamiento de la banda sensible, tanto durante la maniobra de apertura como en la de cierre, provoca una breve inversión y la parada del movimiento</li> <li>La interrupción del rayo infrarrojo, tanto durante la maniobra de apertura como en la de cierre, provoca una breve inversión y la parada del movimiento</li> </ul> <p><b>Atención: VÉASE LA NOTA 2</b></p>	

**NOTA 1:** FTB puede utilizarse también en las cancelas de dos hojas en modalidad master-slave (véase la figura 6). En este caso, FT B tiene el mismo comportamiento que FT C: la activación de la banda sensible o la interrupción del rayo infrarrojo, tanto durante la maniobra de apertura como en la de cierre, provoca una breve inversión y la parada del movimiento.

**NOTA 2:** FTC puede utilizarse también en las cancelas de una hoja (véanse las figuras 4 y 5) donde se montan 2 bandas sensibles, delantera y trasera.

8. Para empleos posteriores, coloque los puentes de conexión no utilizados en el paso específico (véanse las figuras 20 y 21).



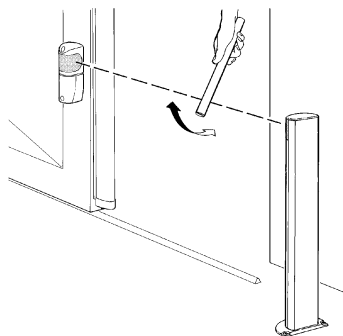


## 4) Ensayo

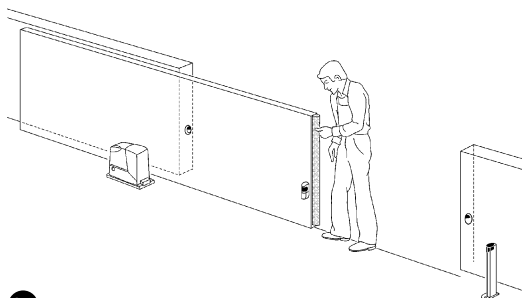
Cada componente de la automatización requiere una etapa de ensayo específica. Para el ensayo de "FT210B", efectúe la siguiente secuencia de operaciones. Si hubiera 2 dispositivos FT210B (véanse las figuras 3 y 4) habrá que repetir la secuencia para cada dispositivo.

**Atención:** en algunos puntos podría ser necesario efectuar controles con la cancela en movimiento; dado que la automatización PODRÍA ser INSEGURA; tenga mucho cuidado cuando efectúe dichos controles.

1. Controle que se hayan respetado estrictamente las indicaciones dadas en este manual y especialmente aquellas de los capítulos 1 "Advertencias" y 3 "Instalación".
2. Desbloquee y abra completamente la hoja de la cancela para que el TX se encuentre lo más lejos posible del RX.
3. Controle que no haya ningún obstáculo entre TX y RX.
4. Desconecte el receptor de "BlueBUS" si estuviera conectado y quite la batería del transmisor.
5. Desconecte el dispositivo sensible de los bornes del TX y, con un ohmímetro, mida el valor de la resistencia del dispositivo y controle que el valor esté comprendido entre  $7700\Omega$  y  $8700\Omega$  (nominal  $8200\Omega$ ).
6. Presione la banda sensible para activarla y mida nuevamente el valor de la resistencia; controle que el valor sea menor que  $1000\Omega$  o bien superior que  $16500\Omega$ .
7. Conecte nuevamente el dispositivo sensible a los bornes del TX
8. Conecte nuevamente el receptor a "BlueBUS" y, en la central de mando, ejecute el autoaprendizaje de los dispositivos conectados a "BlueBUS".
9. Controle que los leds L1 (Ir Level), L2 (Fototest Ko) y L3 (Sensitive Device Ko) estén encendidos; controle que el led L4 (Sensitive Device Ok) esté apagado (véase la figura 23).
10. Corte el puente de conexión JP3 en el TX para que éste transmita siempre en modo RÁPIDO.
11. Si la distancia entre TX y RX supera 7 m, controle que el puente de conexión JP1 en el TX esté conectado (es decir programado para distancias de hasta 15m).
12. Introduzca la batería FTA1 o bien FTA2 en el TX (véanse las figuras 29 ó 30).
13. En el receptor RX, controle que el led L1 (Ir Level) parpadee; que los leds L2 (Fototest Ko) y L4 (Sensitive Device Ok) estén encendidos y que el led L3 (Sensitive Device Ko) esté apagado.
14. Si hubiera que mejorar la alineación, modifique la orientación de las lentes del TX y del RX, tal como indicado en la figura 18. Siga las señales del led L1 (Ir Level): cuanto menor es la velocidad de parpadeo mejor es la alineación; la regulación ideal se obtiene cuando el led L1 parpadea lentamente, máximo 3 parpadeos por segundo.
15. Repita la prueba colocando las tapas de protección superiores tanto en TX como en RX. Nótese de que en la tapa del RX hay un filtro atenuador que simula las condiciones climáticas adversas que podrían producirse durante el uso.
16. Desplace la hoja de la cancela a lo largo de toda su carrera y controle con el parpadeo del led L1 que la alineación siempre sea excelente.
17. Para controlar FT210B, en la parte correspondiente al detector de presencia óptico (tipo D) y, especialmente, para que no haya interferencias con otros dispositivos, pase un cilindro de 50 mm de diámetro por el eje óptico, primero cerca del TX, después cerca del RX y por último por el centro entre los dos puntos (véase la figura 22). Controle que el dispositivo siempre se accione pasando del estado activo al estado de alarma (led L1 encendido) y viceversa.
18. Para comprobar FT210B en la parte correspondiente al dispositivo sensible a la presión PSPE, presione y suelte la banda sensible tal como se muestra en la figura 23; compruebe que el led L4 se apague y que el led L3 se encienda y viceversa.
19. Si esta es la programación preferida, conecte el puente de conexión JP3 en el TX de manera que, después de algunos segundos después de la conclusión del movimiento, la transmisión se conmute a modo LENTO.
20. Si se ha efectuado la operación descrita en el punto anterior, controle que, transcurrido el tiempo previsto (véase JP2 en la tabla 2), el transmisor se conmute a modo LENTO. La transmisión en modo LENTO se reconoce porque el led L1 parpadea brevemente cuatro veces seguido de una pausa.



20



21

21. Enganche mecánicamente la hoja al motor y accione una maniobra de la cancela. Mientras tanto, controle que al comienzo de la maniobra, el led L2 se apague, indicando que el test del sensor, que detecta las vibraciones de la cancela en movimiento, haya concluido.

22. Accione varias maniobras de la cancela y controle que la apertura y el cierre se realicen correctamente y sin inversiones del movimiento.

23. Efectúe tres maniobras y, durante la maniobra de cierre (si la función fuera "FT A"), o la maniobra de apertura (si la función fuera "FT B"), o ambas maniobras (si la función fuera "FT C"), active el detector de presencia óptico, tal como indicado en el punto 17, y controle que provoque la acción prevista, por ejemplo, la inversión y la parada del movimiento.

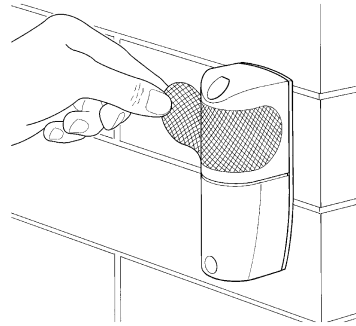
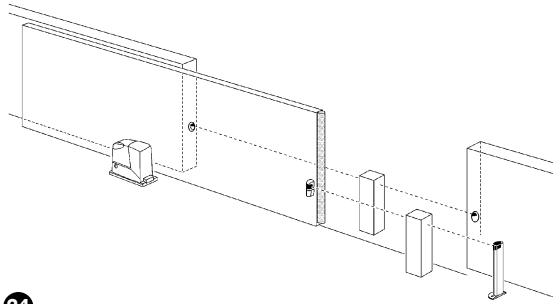
24. Efectúe otras maniobras y active la banda sensible, tal como indicado en el punto 18, y controle que provoque la acción prevista, por ejemplo, la inversión parcial del movimiento.

25. Según la norma EN 12445, el control de la parte correspondiente al detector de presencia óptico (tipo D) de FT210B debe hacerse con el paralelepípedo de ensayo de 700x300x200mm, con 3 lados de color negro mate y 3 lados de color blanco brillante o bien pulidos, tal como indicado en la figura 24 y según lo mencionado en el capítulo 7 de la norma EN 12445:2000 (o bien en el anexo A de prEN12445:2005).

26. Según la norma EN 12445, el control de la parte correspondiente al dispositivo sensible a la presión PSPE de FT210B, si las situaciones peligrosas causadas por el movimiento de la hoja han sido prevenidas limitando la fuerza de impacto (tipo C), hay que medir la fuerza con el instrumento específico en los puntos previstos, según el capítulo 5 de la norma EN 12445.

27. Después de haber comprobado todos los puntos anteriores, quite el filtro atenuador del cristal del receptor RX, tal como indicado en la figura 25.

28. Al final del ensayo, recuerde cerrar todas las cajas de los dispositivos.



## 5) Otras informaciones

En este capítulo se tratan las posibilidades de personalización, diagnóstico y búsqueda de las averías sobre FT210B

### 5.1) Ejemplo de utilización de FT210B como detector de presencia solo

Es posible utilizar FT210B como un detector de presencia tipo D sin la conexión a la banda sensible

En este caso es necesario:

1. Efectuar las etapas de montaje, tal como indicado en el párrafo "Instalación" sin conectar la banda sensible y dejando la resistencia 8200Ω conectada en la entrada del TX.
2. Desconectar el puente de conexión "JP3" del transmisor de manera que la transmisión siempre sea en modo RÁPIDO.
3. Introducir los puentes de conexión del receptor de acuerdo con la zona de la cancela donde se desea colocar FT210B (figura 3 y según la tabla 3).

**Nota:** el modo de transmisión RÁPIDO reduce la duración de la batería del transmisor. En este caso, la duración de una batería tipo "C" (kit FTA1) puede estimarse de la siguiente manera:

- alrededor de 24 meses para cancelas de hasta 7 m (puente de conexión JP1 del TX desconectado)
- alrededor de 18 meses para cancelas de hasta 15 m (puente de conexión JP1 del TX conectado)

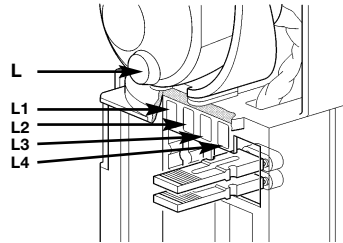
## 5.2) Ejemplo de utilización de FT210B sólo como detector del estado de la banda sensible

Si FT210B se utiliza únicamente como detector del estado de la banda sensible, sin la función de detector de presencia, se aconseja instalar el fotodispositivo tal como se muestra en las figuras 5 y 6. En este caso es necesario:

1. Efectuar las etapas de montaje, tal como indicado en el párrafo "Instalación".
2. Configurar los puentes de conexión en el TX según las exigencias, véase la Tabla 2.
3. Configurar el puente de conexión JPX en RX (véase la Tabla 3) exactamente para obtener la función "FT B" o "FT C" indicadas en las figuras.

## 5.2) Señalizaciones

El receptor FT210B tiene algunos leds de señalización (véase la figura 26) que suministran señales luminosas según el estado de funcionamiento.



26

**Tabla 4: señalizaciones**

Led L (rojo)	Causa	Acción
2 parpadeos cortos pausa 2 parpadeos cortos	Señalización batería agotada en el TX	Sustituya lo antes posible la batería en el transmisor con una del mismo modelo
Led L1 (rojo) IR Level	Causa	Acción
Parpadeo regular	La frecuencia de parpadeo indica la calidad de la recepción: cuanto más lento es el parpadeo, mejor es la recepción	Todo correcto si el parpadeo es lento: al máximo 3 por segundo, en caso contrario, controle la alineación entre TX y RX
Encendido	El receptor no recibe ninguna señal infrarroja del TX	Quite el obstáculo o mejore la alineación entre TX y RX
2 parpadeos cortos pausa 2 parpadeos cortos	Dispositivo mal direccionado	El fotodispositivo FT210B tiene una función no admitida. Configure correctamente el puente de conexión del receptor, según la tabla 3
3 parpadeos cortos pausa 3 parpadeos cortos	Dispositivo no reconocido por la central	Repita el procedimiento de aprendizaje en la central. Controle que todos los fotodispositivos FT210B tengan diferentes direcciones.
4 parpadeos cortos pausa 4 parpadeos cortos	El transmisor se encuentra en modo LENTO	Todo correcto si la cancela está detenida
5 parpadeos cortos pausa 5 parpadeos cortos	El receptor capta una señal de rayo infrarrojo no reconocible que interfiere	Un transmisor desconocido envía una señal hacia el receptor, trate de eliminar la interferencia; controle la alineación de todos los dispositivos montados
7 parpadeos cortos pausa 7 parpadeos cortos	El receptor capta la señal de rayo infrarrojo de un segundo transmisor FT210B	Elimine el segundo transmisor. Dos transmisores FT210B no pueden colocarse en la misma zona.
Led L2 (amarillo) Fototest KO	Causa	Acción
Encendido	Señala un error en el test al inicio de la maniobra y que el transmisor no está conmutado a modo RÁPIDO	Es probable que el sensor de movimiento funcione mal
Apagado	El test al inicio de la última maniobra ha sido regular	Todo OK
Led L3 (rojo) Sensitive Device KO	Causa	Acción
Encendido	La banda sensible conectada al transmisor está activa	Controle las causas de la activación de la banda
Apagado	La banda sensible conectada al transmisor no está activa	Todo OK
Led L4 (verde) Sensitive Device OK	Causa	Acción
Encendido	La banda sensible conectada al transmisor no está activa	Todo OK
Apagado	La banda sensible conectada al transmisor está activa	Controle las causas de la activación de la banda

### 5.3) Solución de los problemas

En la tabla 5 pueden consultarse indicaciones útiles para solucionar problemas de funcionamiento, que podrían producirse durante la instalación, o por una avería del sistema.

**Tabla 5: búsqueda de las averías**

Síntomas	Controles aconsejados
No es posible accionar la cancela; todos los leds del receptor de FT210B están apagados.	Controle que el receptor esté conectado correctamente a "BlueBUS"
La cancela comienza a moverse, pero después de 1 segundo se detiene; el led 2 (amarillo) está encendido	El test, al comienzo de la maniobra, ha dado resultados negativos y es probable que haya una avería en el sensor de movimiento de la cancela presente en el TX.
Durante la carrera la cancela se detiene o invierte la maniobra; el led L1 (rojo) está encendido con luz fija	Controle que no haya obstáculos o que la alineación entre TX y RX, a lo largo de la carrera de la cancela, sea correcta.
Durante la carrera la cancela invierte la maniobra y se detiene; el led L3 (rojo) está encendido y el led L4 (verde) está apagado.	Se ha accionado la banda sensible. Quite el obstáculo o controle que la banda funcione correctamente.
De vez en cuando, durante su carrera la cancela se detiene o invierte la maniobra; con la cancela abierta, el led L1 (rojo) parpadea rápidamente.	Controle la alineación entre TX y RX a lo largo de la carrera de la cancela.
De vez en cuando, durante su carrera la cancela se detiene o invierte la maniobra; ciertas veces se bloquea completamente y no es posible accionarla; el led L (rojo) realiza 2 parpadeos cortos.	La batería en el TX está agotada y en las condiciones más desfavorables no se produce la comunicación entre TX y RX. El led L (rojo) parpadea indicando que es necesario sustituirla.

## 6) Mantenimiento

El FT210B no requiere cuidados particulares, pero es necesario controlar cada 6 meses como mínimo el estado del fotodispositivo FT210B (presencia de humedad, oxidación, etc.), limpiar la cubierta externa y realizar el ensayo tal como descrito en el capítulo 4 "Ensayo". FT210B ha sido diseñado para funcionar en condiciones normales por lo menos durante 10 años, por lo que es oportuno intensificar la frecuencia de mantenimiento una vez superado dicho período.

Sustituya la batería del transmisor si, inmediatamente después de una maniobra completa (cuando la transmisión se produce todavía en modo RÁPIDO), se mide una tensión inferior a 2,7V en la batería.

## 7) Desguace

Al igual que para la instalación, también las operaciones de desguace, al final de la vida útil de este producto, deben ser efectuadas por personal cualificado.

Este producto está formado de diversos tipos de materiales, algunos pueden reciclarse y otros deben ser eliminados. Infórmese sobre los sistemas de reciclaje o de eliminación del producto respetando las normas locales vigentes para este tipo de categoría de producto.

**Atención:** algunas partes del producto pueden contener sustancias contaminantes o peligrosas; si se abandonarán en el medio ambiente podrían ser perjudiciales para el ambiente y para la salud de las personas.

Como indicado por el símbolo de la figura 27 está prohibido abandonar este producto en los residuos domésticos. Para la eliminación, realice la recogida diferencial, según los métodos previstos por las reglas locales, o bien entregue el producto al vendedor cuando compre un nuevo producto equivalente.

Las reglas locales pueden prever sanciones importantes en el caso de eliminación abusiva de este producto.

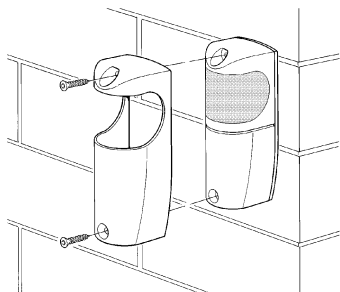
**Atención:** el producto funciona con baterías que podrían contener sustancias contaminantes y, por dicho motivo, no deben abandonarse en los residuos normales. Después de haberlas desmontado del producto (véase el párrafo "Sustitución de la batería" en el capítulo "Instrucciones y advertencias destinadas al usuario de FT210B") hay que eliminarlas según los métodos previstos, para las baterías, por las reglas locales.



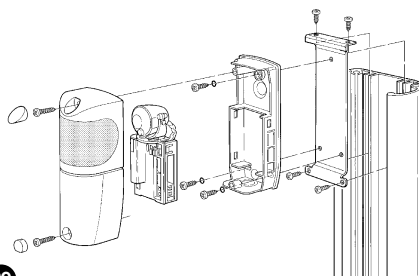
## 8) Accesorios

Están disponibles los siguientes accesorios:

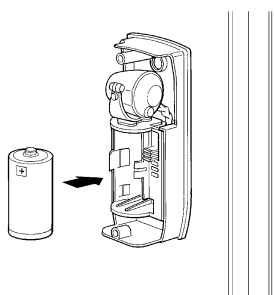
- FA1: caja metálica antivandalismo a montar como se muestra en la figura 28
- FA2: estribo de fijación en columnas "MOCF" a montar como se muestra en la figura 29
- FTA1: batería 3,6V; 7Ah tamaño C a montar como se muestra en la figura 30
- FTA2: batería 3,6V; 2Ah tamaño AA a montar como se muestra en la figura 31



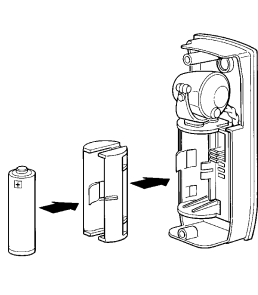
28



29



30



31

E

## 9) Características técnicas

Nice S.p.a., a fin de mejorar sus productos, se reserva el derecho de modificar las características técnicas en cualquier momento y sin previo aviso, garantizando la funcionalidad y el uso previstos. Nota: todas las características técnicas se refieren a una temperatura de 20°C.

<b>Características técnicas FT210B</b>	
Tipo	Dispositivo para la transmisión óptica del estado de una banda sensible de resistencia constante montado en partes móviles. Está formado de un transmisor de rayos infrarrojos (TX), alimentado por una batería, que se monta sobre la hoja móvil en la que se conecta la banda sensible, y de un receptor (RX), situado en la parte fija.
Tecnología adoptada	Transmisión por interpolación óptica directa TX-RX con rayo infrarrojo modulado y codificado.
Alimentación del receptor	El dispositivo puede conectarse sólo a redes "BlueBus" desde las que obtiene su alimentación eléctrica y envía las señales de salida.
Potencia absorbida del receptor	0,5 unidad Blue Bus
Alimentación del transmisor	3,6V con baterías de litio tipo C o bien AA
Duración de la batería del transmisor (con JP3 conectado)	Estimada en alrededor de más de 15 años con batería tipo C, capacidad 7Ah; (uso "residencial": distancia TX-RX hasta 7 m; con 20 maniobras por día de 90 seg. de duración) Estimada en alrededor de más de 5,5 años con batería tipo C, capacidad 7Ah; (uso "industrial": distancia TX-RX hasta 15 m; con 200 maniobras por día de 90 seg. de duración) Estimada en alrededor de 6 años con batería tipo AA, capacidad 2Ah; (uso "residencial": distancia TX-RX hasta 7 m; con 20 maniobras por día de 90 seg. de duración)
Gama de la entrada del dispositivo Sensible (Rs)	Típico 8,2K $\Omega$ ; +22%/-65% para el estado activo (On) Límites estado activo (On): con Rs > 2.870 y Rs < 10.010 Límites estado desactivado (Off): con Rs < 2.590 o Rs > 11.060
Capacidad de detección del detector de presencia tipo D	Objetos opacos situados en el eje óptico entre TX-RX con dimensiones mayores que 50mm y velocidad menor que 1,6m/s
Ángulo de transmisión TX	+/- 4° (valor detectado al 50% del alcance)
Ángulo de recepción RX	+/- 3° (valor detectado al 50% del alcance)
Orientabilidad	alrededor de 210° en el eje horizontal y 30° en el eje vertical
Alcance útil	7 m o 15 m (con JP1 en TX conectado) con desalineación TX-RX máxima $\pm$ 2° (el alcance podría disminuir aún más en el caso de fenómenos atmosféricos muy intensos: niebla, lluvia, nieve, polvo, etc.)
Alcance máximo (en condiciones ideales)	15 m o 30 m (con JP1 en TX conectado) con desalineación TX-RX máxima $\pm$ 2°
Tiempo de respuesta del detector de presencia	< 96ms (típico 65ms) con 1 par de fotocélulas MOFB conectado junto con FT210B
Tiempo de respuesta de activación de la banda sensible	< 64ms (típico 50ms)
Categoría de resistencia referida a las averías	3 (según la norma EN 954-1)
Empleo en atmósfera ácida, salobre o con riesgo de explosión	No
Montaje	RX: vertical en pared o en columna "MOCF" con estribo de fijación "FA2" TX: directamente en la cancela con tornillos suministrados de serie.
Clase de protección caja	IP44
Temperatura de funcionamiento	-20 $\pm$ 55°C
Dimensiones	46 x 128 h 45mm
Peso	Receptor: 135g. Transmisor 165g con FTA1, o bien 140g con FTA2



Estas instrucciones pueden integrar las "Instrucciones y advertencias para el uso de la automatización" que el instalador debe entregar al dueño de la automatización, pero que deben estar integradas por estas.

- **Mantenimiento:** para garantizar una larga vida útil y para un funcionamiento seguro, la instalación, al igual que cualquier otra maquinaria, requiere un mantenimiento periódico. Establezca con su instalador un plan de mantenimiento con frecuencia periódica. Nice aconseja realizar un mantenimiento cada 6 meses para un uso residencial normal, que puede variar según la intensidad de uso. Cualquier tipo de control, mantenimiento o reparación debe ser realizado sólo por personal cualificado.
- Aunque piense que lo sabe hacer, no modifique la instalación ni los parámetros de programación y de regulación de la automatización: la responsabilidad es de su instalador.
- El ensayo, los trabajos de mantenimiento periódico y las posibles reparaciones deben ser documentados por quien los efectúa y los documentos tienen que ser conservados por el dueño de la instalación.
- Las únicas operaciones que pueden hacerse y que le aconsejamos efectuar periódicamente son la limpieza de los vidrios de las fotocélulas y la eliminación de hojas o piedras que podrían obstaculizar el automatismo. Para que nadie pueda accionar la cancela, antes de proceder recuerde desbloquear el automatismo y utilizar para la limpieza únicamente un paño ligeramente humedecido con agua.
- Desguace: al final de la vida útil de la automatización, el desguace debe ser realizado por personal cualificado y los materiales deben ser reciclados o eliminados según las normas locales vigentes.
- **Sustitución de la batería** del transmisor de FT210B  
El transmisor, situado en la hoja móvil de la cancela, dispone de una batería de litio especial de 3,6V. La duración estimada es de varios años, depende de las condiciones de uso. El dispositivo dispone de una señal que se visualiza algunos meses antes de que la batería se agote completamente para que Ud. tenga el tiempo suficiente para sustituirla.

La batería debe sustituirse si en el **receptor**, situado en la parte fija (en la pared como muestra la figura A, o en la columna como muestra la figura B), notara esta señal: **2 destellos cortos seguidos de una pausa de 1 segundo.**

La batería se encuentra en el **transmisor** situado en la hoja de la cancela; para su sustitución es necesario:

- 1) Quitar los tapones que cubren los tornillos, como se muestra en la figura C
- 2) Desenroscar los tornillos que fijan la tapa y quitarlos como se muestra en la figura C
- 3) Quitar la batería agotada haciendo palanca con un destornillador
- 4) Esperar unos 10 segundos antes de montar la batería nueva
- 5) Observar la polaridad: el polo positivo debe colocarse hacia arriba
- 6) Montar la nueva batería como se muestra en las figuras D o E, según el modelo utilizado
- 7) Fijar la tapa con los tornillos y colocar los tapones correspondientes

**Atención:** el producto funciona con baterías que podrían contener sustancias contaminantes y, por dicho motivo, no deben abandonarse en los residuos normales. Después de haberlas desmontado del producto (véase el párrafo "Sustitución de la batería" en el capítulo "Instrucciones y advertencias destinadas al usuario de FT210B") hay que eliminarlas según los métodos previstos, para las baterías, por las reglas locales.

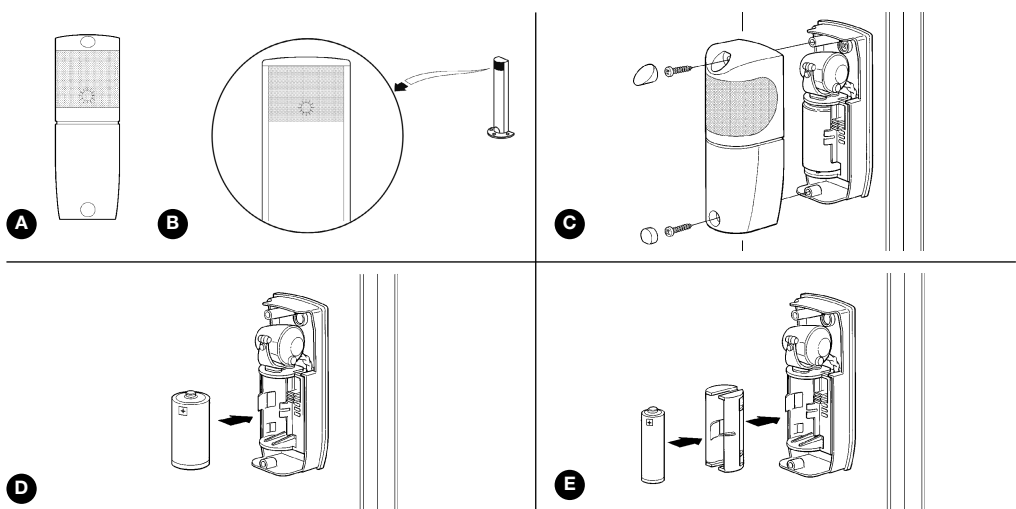


Hay disponibles 2 tipos de batería:

- FTA1: batería 3,6V; 7Ah tamaño C a montar como se muestra en la figura D
- FTA2: batería 3,6V; 2Ah tamaño AA a montar como se muestra en la figura E

**Atención: las baterías utilizadas en este producto no son baterías alcalinas normales.**

**Solicite a Nice s.p.a. los kits de batería de recambio "FTA1" o "FTA2".**







## 1) Ostrzeżenia

Ta instrukcja zawiera ważne informacje dotyczące bezpieczeństwa podczas instalowania, należy się z nią zapoznać przed rozpoczęciem prac instalacyjnych. Niniejszą instrukcję należy przechowywać w celu ewentualnej, przyszłej konsultacji. Biorąc pod uwagę niebezpieczeństwa, jakie mogą wystąpić podczas instalowania i użytkowania FT210B, dla zwiększenia bezpieczeństwa, instalacja musi odpowiadać przepisom, normom i uregulowaniom prawnym.

**Według obowiązujących przepisów europejskich, wykonanie drzwi lub bramy automatycznej musi być zgodne z Dyrektywą 98/37/CE (Dyrektywa Maszynowa), a w szczególności musi odpowiadać normom: EN 13241-1 (norma zharmonizowana); EN 12445; EN 12453 i EN 12635, które pozwalają na wystawienie deklaracji zgodności produktu z dyrektywą maszyn.**

Dodatkowe informacje, wytyczne do analiz zagrożeń i Książka Techniczna, są dostępne na: [www.niceforyou.com](http://www.niceforyou.com). Niniejsza instrukcja przeznaczona jest jedynie dla personelu technicznego z odpowiednimi kwalifikacjami do instalowania. Żadne informacje znajdujące się w niniejszej instrukcji nie są skierowane do końcowego użytkownika!

- Użycie FT210B do innych celów niż przewidziano w niniejszej instrukcji jest zabronione; użycie niezgodne z przeznaczeniem może spowodować zagrożenie i wyrządzić szkody ludziom oraz uszkodzić inne obiekty.
- Nie wykonywać żadnych zmian i modyfikacji, jeśli nie są one przewidziane w niniejszej instrukcji; operacje tego rodzaju mogą jedynie spowodować niewłaściwe działanie; NICE nie bierze odpowiedzialności za szkody spowodowane przez zmodyfikowany produkt.
- FT210B może funkcjonować tylko przy bezpośrednim

kontakcie optycznym TX-FX; zabronione jest użytkowanie z wykorzystaniem lusterka.

- Dla podłączeń elektrycznych stosować odpowiednie przewody, jak to wskazano w rozdziale "Instalacja".
- Upewnić się, czy zasilanie elektryczne oraz inne parametry użytkowe odpowiadają wartościom podanym w tabeli "Dane techniczne".
- Realizacja urządzeń zabezpieczających do drzwi i bram automatycznych poddana jest następującym normom:
  - EN 12453 - Bramy, bezpieczeństwo użytkowania bram z napędem, metody badań.
  - EN 12978 - Drzwi i bramy, urządzenia zabezpieczające do drzwi i bram z napędem, wymagania i metody badań.

Instalacja i podłączenie FT210B w celu realizacji urządzenia zabezpieczającego bez spełnienia wymagań powyższych norm uważane jest za niedbałość i samowolne nadużycie!

Szczególną uwagę należy zwrócić na użytkowanie niniejszego produktu z punktu widzenia dyrektywy o "Zgodności elektromagnetycznej" 89/336/CEE wraz z późniejszymi zmianami 92/31/CEE oraz 93/68/CEE:

Niniejszy produkt został poddany badaniom w zakresie zgodności elektromagnetycznej w skrajnych sytuacjach użytkowania, w konfiguracjach przewidywanych w niniejszej instrukcji oraz w połączeniu z artykułami znajdującymi się w katalogu produktów firmy Nice S.p.a. Zgodność elektromagnetyczna może nie być zagwarantowana, jeśli produkt użytkowany będzie w połączeniu z innymi wyrobami nieprzewidywanymi przez producenta; zabronione jest użytkowanie niniejszego produktu w takich sytuacjach, póki osoba dokonująca instalacji nie upewni się co do zgodności z wymaganiami zawartymi w dyrektywie.

## 2) Opis produktu i przeznaczenie

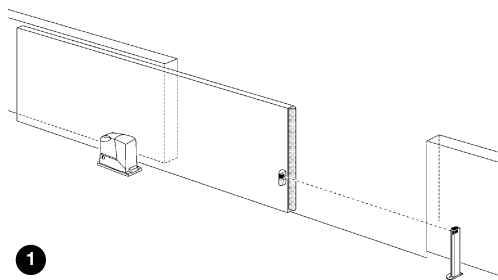
FT210B jest to urządzenie z technologią "BlueBUS", które służy do rozwiązania problemów z połączeniami elektrycznymi listew krawędziowych zamontowanych na ruchomych skrzydłach bram. Składa się ono z nadajnika działającego na podczerwień (TX), zasilanego baterią dużej pojemności i instalowanego na skrzydle ruchomym, na którym montowana jest też listwa krawędziowa. Do tego dołączyć należy odbiornik (RX) umieszczony na stałej części bramy i połączony przy pomocy tylko 2 przewodów do dowolnej centrali lub urządzenia wyposażonego w technologię "BlueBUS".

FT210B pozwala na 2 sposoby użytkowania:

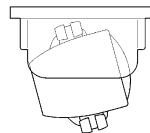
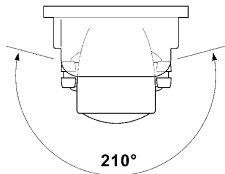
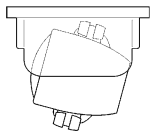
- jako część urządzenia zabezpieczającego wykrywającego nacisk (PSPE), poprzez kontrolę stanu listwy krawędziowej.
- jako wykrywacz obecności typu D (fotokomórka) poprzez kontrolę przerywania promienia podczerwonego.

W pierwszym przypadku, listwa krawędziowa o stałym oporze 8,2k $\Omega$  jest pod stałą kontrolą nadajnika, a sygnał zadziałania listwy wysyłany jest do odbiornika. Odbiornik RX odczytuje otrzymaną informację i przekazuje ją do centrali przy pomocy "BlueBUS". Połączenie pomiędzy TX, RX i "BlueBUS" jest kodowane techniką z wysokim poziomem bezpieczeństwa czyli, że całe urządzenie TX/RX/Centrala przynależy do 3 kategorii odporności na usterkę według normy EN 954-1, a więc może być stosowane w systemach PSPE zgodnie z normą EN 12978.

W drugim przypadku, jeśli TX oraz RX umieszczone są w taki sposób, że komunikacja optyczna odbywa się poprzez wjazd bramy (patrz rysunek 1) urządzenie może być stosowane także jako wykrywacz obecności (typu D według normy EN 12453); w rzeczywistości bowiem przedmiot, który przerywa promień powoduje przejście wykrywacza obecności do stanu alarmu, a ten sygnał przekazany zostaje poprzez BlueBUS w sposób wyróżniony i oddzielony od sygnału dla stanu wzbudzenia krawędzi.



Fotokomórkę FT210B można zastosować również tam, gdzie powierzchnie do mocowania nie są zbyt równe i utrudniają ustawienie TX i RX w linii; można je regulować w zakresie 210o w płaszczyźnie poziomej oraz o 30o w pionie (patrz rys. 2).



2

**Urządzenie fotooptyczne FT210B złożone zgodnie z instrukcją, i wyposażone w odpowiednią listwę krawędziową TCB65 oraz podłączone do centralki sterującej z technologią "BlueBUS", posiada certyfikat producenta jako całkowicie lub częściowo zgodne z następującymi normami:**

- EN 954-1 Bezpieczeństwo maszyny - Części składowe systemów sterujących związanych z bezpieczeństwem - Główne podstawy projektowania

- EN 1760-2 Bezpieczeństwo maszyny - Urządzenia zabezpieczające reagujące na nacisk - Główne podstawy do projektowania i wykonywania testów urządzeń reagujących na nacisk.
- EN 12978 - Drzwi i bramy przemysłowe, handlowe i do garażu. Urządzenia zabezpieczające do bram i drzwi zautomatyzowanych - Wymagania i sposoby wykonywania prób.

**⚠ Pojedyncza FT210B nie jest kompletnym urządzeniem zabezpieczającym, jest tylko częścią składową takiego urządzenia!**

### 3) Instalowanie

**⚠ Wszystkie czynności wykonywać po odłączeniu centrali od zasilania i akumulatora awaryjnego (gdym jest używany).**

#### 3.1) Kontrola wstępna

- Uważnie sprawdzić czy parametry użytkownika zgadzają się z danymi znajdującymi się w rozdziale "Dane techniczne". W przypadku niepewności nie używać produktu i zasięgnąć opinii Serwisu Technicznego firmy Nice.

Ze względu na szczególną specyfikę urządzenia przed jego zainstalowaniem należy przeanalizować niektóre aspekty związane z podstawowymi funkcjami w celu osiągnięcia maksymalnego poziomu bezpieczeństwa i funkcjonalności.

- Nadajnik kontroluje w sposób systematyczny stan listwy krawędziowej i wysyła informacje do odbiornika. Aby zmniejszyć zużycie baterii i jednocześnie utrzymać wymagany poziom bezpieczeństwa operacja ta wykonywana jest z zastosowaniem 2 "prędkości": WOLNA kiedy brama nie porusza się; SZYBKA, kiedy brama porusza się. Nadajnik rozpoznaje stan bramy za pomocą specjalnego czujnika, który odczytuje wibracje poruszającej się bramy. Gdy tylko brama zaczyna się poruszać nadajnik przechodzi do sposobu SZYBKIEGO i pozostaje w tym trybie do momentu, kiedy brama zatrzyma się na 10 lub 90 sekund (patrz mostki JP2 i JP3 w tabeli 1). W celu zagwarantowania wymaganego poziomu bezpieczeństwa odbiornik musi zawsze znać stan bramy, a szczególnie po to, aby sprawdzić, czy wybór sposobu WOLNEGO czy SZYBKIEGO przez nadajnik jest prawidłowy. Ten mechanizm kontroli możliwy jest dzięki zastosowaniu "BlueBUS"; podczas całego manewru centralka wysyła sygnały, że brama jest w ruchu, a odbiornik kontroluje prawidłową pracę nadajnika.
  - FT210B została opracowana tak, aby nie tworzyła zakłóceń z innymi fotokomórkami i na odwrót; oznacza to, że FT210B może być dostosowana również do innych fotokomórek.
1. jeśli stosowane są fotokomórki z technologią BlueBUS nie ma problemów co do ilości fotokomórek powiązanych z urządzeniem FT210B, o ile zainstalowane zostaną w sposób wskazany na rys. 4, 5 lub 6 i zaprogramowane jak w tabeli 3.

2. jeśli używane są fotokomórki wyprodukowane przez NICE, gwarantowane jest ich funkcjonowanie przy przynajmniej jednej dodatkowej parze fotokomórek.

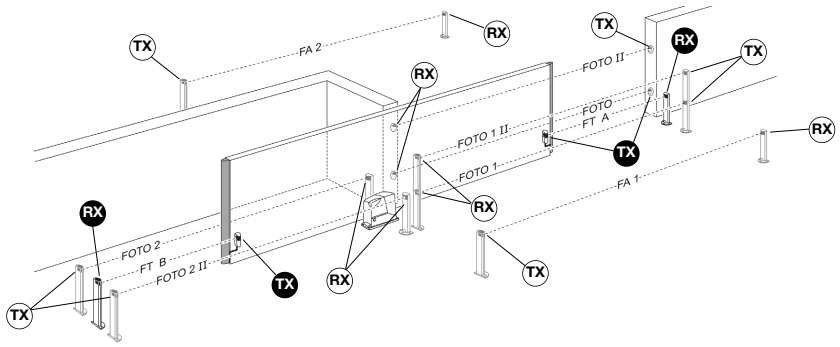
3. jeśli stosowane są fotokomórki tradycyjne, nie wyprodukowane przez NICE, ich prawidłowe funkcjonowanie mogłoby nie być zapewnione.

W każdym przypadku, aby sprawdzić czy nie ma oddziaływania na inne urządzenia, należy wykonać skrupulatną procedurę prób odbiorczych jaka jest opisana w rozdziale 4 i porównać ze specyficzną sygnalizacją znajdującą się w tabeli 4.

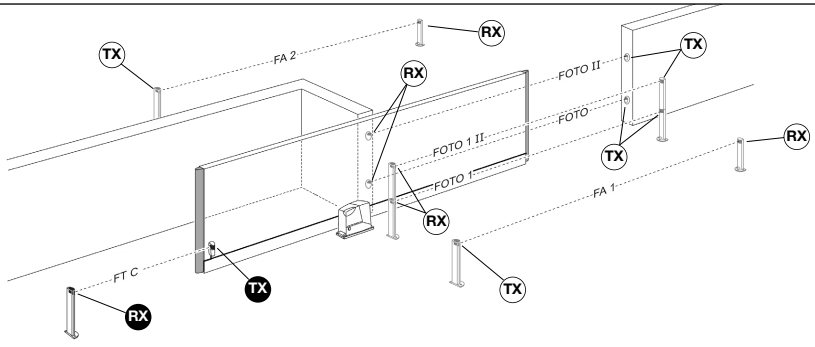
- Nie można wykorzystać dwóch zestawów FT210B do kontroli tego samego obszaru; jeżeli odbiornik odczyta sygnał pochodzący z dwóch nadajników może przejść do stanu "alarmu" nie pozwalając na poruszenie się bramy. Patrz specyfikacja sygnalizacji w tabeli 4.
- Można zamontować dwa urządzenia FT210B w celu kontrolowania przedniej (FT A) lub tylnej (FT B) części tej samej bramy, przy połączeniu jak na rys. 3.
- Na jednej bramie z tylko jednym FT210B można zamontować 2 listwy krawędziowe, tylną i przednią (FT C), które zostaną wspólnie połączone w kaskadzie tak jak opisano w rozdziale 3.1. W tym przypadku można zastosować FT210B jako odczytnik obecności poprzez ustawienie nadajnika i odbiornika tak, jak przedstawiono na rysunku 4; lub jako prosty czytnik stanu listwy krawędziowej poprzez ustawienie nadajnika i odbiornika jak wskazano na rysunku 5.
- W przypadku skrzydeł naprzeciw leżących i zsynchronizowanych w modalności master - slave (z Robus lub Run) można ustawić 2 urządzenia FT210B (FTB i FTC) jak wskazano na rysunku 6. Na każdym skrzydle można zamontować 1 lub 2 listwy krawędziowe (przednią i tylną), które zostaną wzajemnie połączone w kaskadzie tak, jak opisano w rozdziale 3.1.1.

We wszystkich przypadkach wskazanych na rysunku 3, 4, 5 i 6 należy stworzyć mostek JPX na odbiorniku (patrz tabela 3) dokładnie aby uzyskać funkcję (FT A; FT B lub FT C) jak wskazano na właściwych rysunkach.

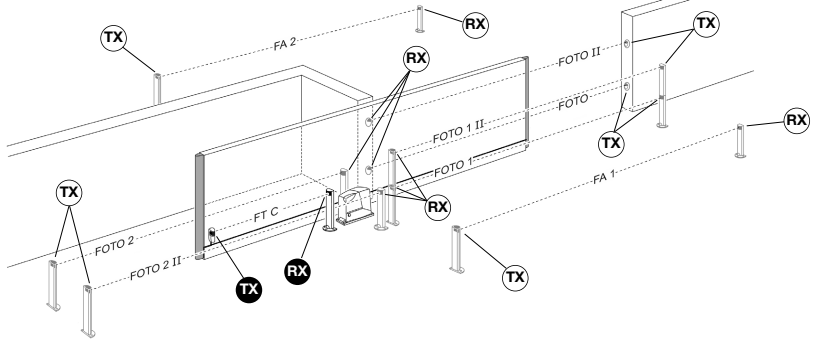
3



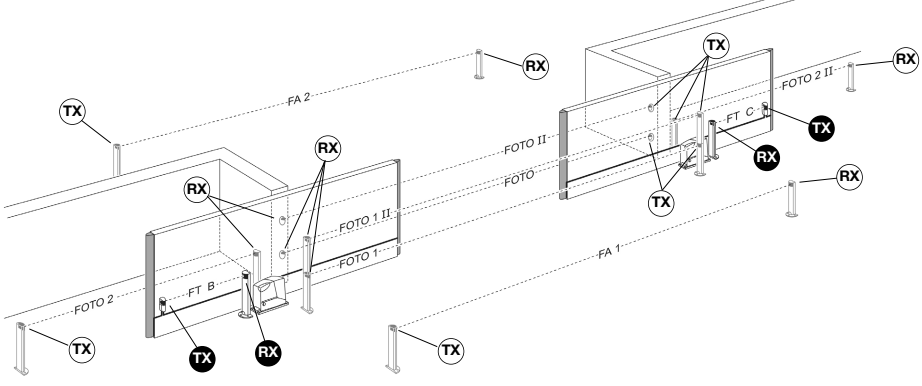
4



5



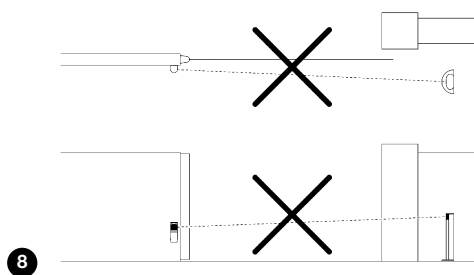
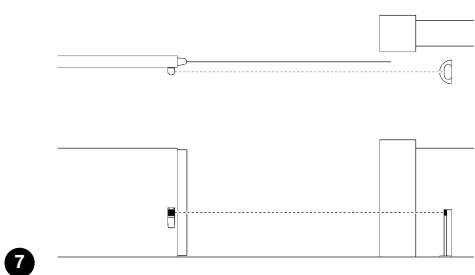
6



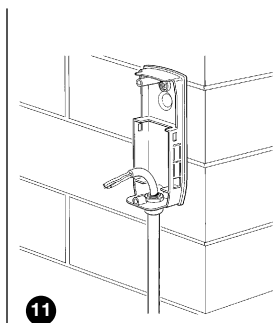
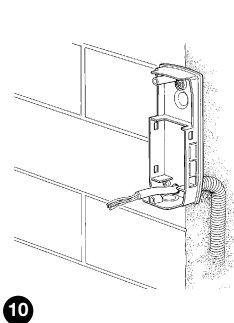
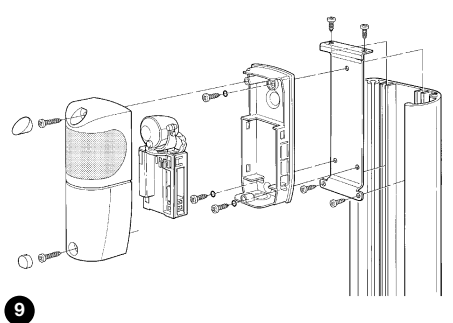
PL

- Nadajnik TX z kompletu FT210B wysyła promień pod kątem rozbieżności około  $\pm 4^\circ$  więc niezbędne jest prawidłowe i trwałe ustawienie TX i RX na całej długości ruchu bramy.

Na rysunku 7 przedstawiony jest przykład prawidłowego montażu, a na rysunku 8 przedstawione są przykłady błędnego montażu.



- W zależności od konieczności odbiornik może być zainstalowany na odpowiedniej kolumnie MOCF ze specjalnym wspornikiem FA2 (patrz rys 9) lub może być przymocowany do ściany; w tym przypadku przewód może wejść od tylnej ścianki (patrz rysunek 10) lub od dołu; w takim przypadku należy zastosować przelotkę typu "PG9" (patrz rysunek 11).



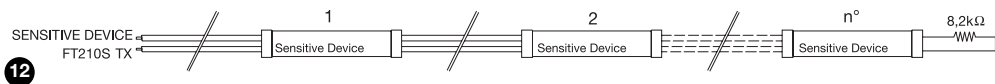
**Tabela 1: wykaz przewodów**

Podłączenie	Rodzaj przewodu	Maksymalna długość	Opis
TX: wejście listwy krawędziowej	2x0,5mm <sup>2</sup>	20m	Wejście do odczytu stanu listwy krawędziowej
RX: "BlueBUS"	2x0,5mm <sup>2</sup>	30m	Podłączenie odbiornika do sieci "BlueBUS" centralek sterowniczych

### 3.1.1) Podłączenie 2 lub więcej listew krawędziowych

Nadajnik urządzenia FT210B posiada tylko jedno wejście dla listwy krawędziowej, ale może osłużyć dwa lub więcej urządzeń czułych, które spełniają tą samą funkcję. Muszą one być podłączone w kaskadzie jedno za drugim tak, jak przedstawiono na rysunku 12 z jedną tylko rezystancją 8,2k $\Omega$  na końcu.

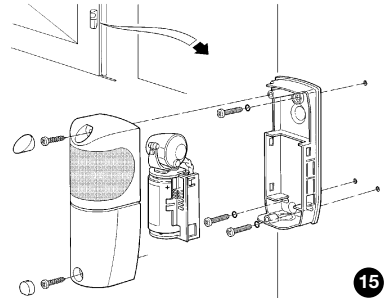
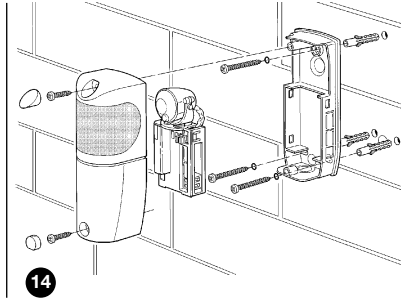
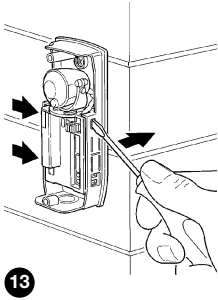
**Uwaga:** Urządzenia ze stałym oporem mają być podłączone w kaskadzie ale nigdy szeregowo lub równolegle pomiędzy sobą!



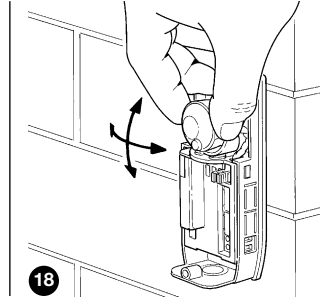
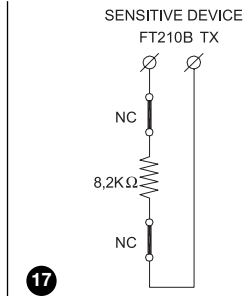
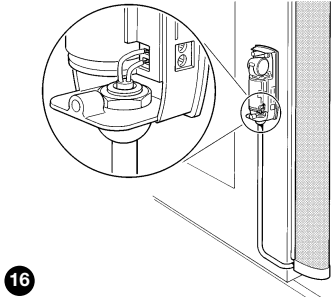
### 3.2) Mocowanie urządzeń

Wykonać instalację i mocowanie urządzeń według następującej sekwencji:

1. Aby ułatwić czynności mocowania można oddzielić płytkę elektroniczną od obudowy poprzez podważenie jej śrubokrętem w trzech punktach zaczepu tak, jak pokazano na rysunku 13.
2. Wykonać mocowanie odbiornika tak, jak wskazano na rysunku 14.
3. Zamontować nadajnik na ruchomym skrzydle tak, jak wskazano na rysunku 15.



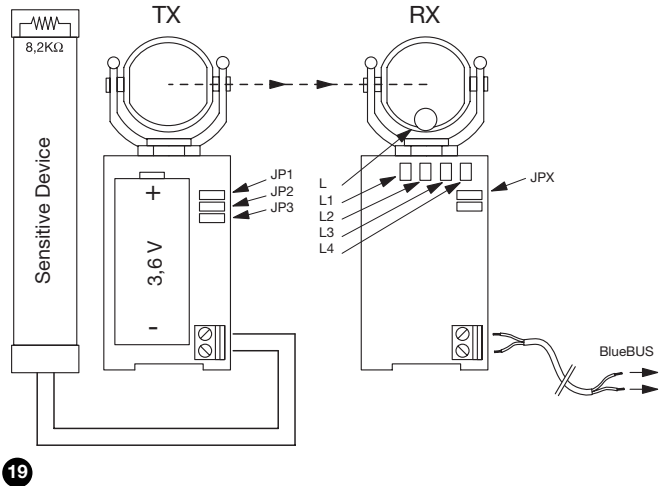
4. Podłączyć przewody elektryczne listwy krawędziowej z opornością  $8,2k\Omega$  tak, jak wskazano na rysunku 16. Rezystor znajdujący się w zaciskach TX ma być usunięty i zastosowany jako końcówka (zworka) listwy krawędziowej lub też nie, jeżeli listwa posiada swój własny rezystor końcowy.



W przypadku, kiedy listwa krawędziowa posiada na wyjściu 2 pary styków NC dostępnych oddzielnie, można wówczas podłączyć ją tak, jak przedstawiono na rysunku 17 ustawiając opór równy  $8,2k\Omega$  szeregowo pomiędzy dwoma stykami. Sprawdzić, czy konstruktor listwy krawędziowej deklaruje co najmniej 3 kategorię odporności na usterkę zgodnie z normą EN 954-1.

**Uwaga:** Nie używać listw krawędziowych, które posiadają jako wyjście pojedynczy styk typu NC, bo wówczas nie posiadają żadnej kategorii odporności na usterkę, wymaganej przez normę.

5. Wykonać połączenia elektryczne "BlueBUS" tak, jak przedstawiono w instrukcji centrali sterującej.
6. Ustawić soczewki tak, jak wskazano na rysunku 18 i tak, aby uzyskać jak najlepsze ustawienie TX i RX w jednej linii. Prawidłowe ustawienie w linii będzie sprawdzane w rozdziale 4 "Próby odbiorcze".
7. Zaprogramować mostki znajdujące się w TX i RX (patrz ilustracja 19) w celu uzyskania właściwego funkcjonowania zgodnie ze wskazaniami z tabel 2 oraz 3.



PL

**Tabela 2: Mostki w nadajniku TX**

Mostek	Pozycja	Opis
JP1	Założony	Moc nadajnika dostosowana do bram o długości do 15 metrów
	Zdjęty	Moc nadajnika dostosowana do bram o długości maksymalnej do 7 metrów
JP2	Założony	Przełącza na transmisję danych WOLNA po 10 sekundach po zakończeniu ruchu (patrz również JP3) (Zalecany w celu przedłużenia czasu trwałości baterii)
	Zdjęty	Przełącza na transmisję danych WOLNA po 90 sekundach po zakończeniu ruchu (patrz również JP3) (Zalecany wówczas, gdy stosowane są funkcje takie jak "automatyczne zamykanie", "Zamykaj natychmiast po zadziałaniu fotokomórki", itp.)
JP3	Założony	Po zakończeniu ruchu przełącza na transmisję danych WOLNA (Zalecany w celu przedłużenia czasu trwałości baterii)
	Zdjęty	Nigdy nie przełącza na transmisję WOLNA ale pozostaje zawsze w trybie SZYBKĄ (Zalecany w przypadku bram wolnych od wibracji)

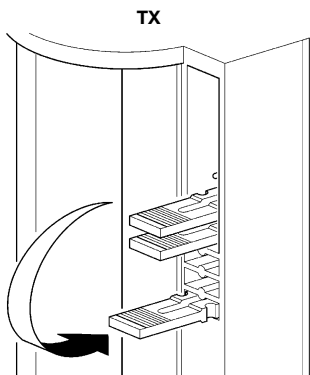
**Tabela 3: mostki na odbiorniku RX**

Urządzenie fotooptyczne	Wykonywane funkcje	Mostki
<b>FT A</b> Główna kraweźdź zamykająca	<ul style="list-style-type: none"> <li>• zadziałanie listwy kraweźdźowej tak podczas manewru otwierania jak i zamykania powoduje krótkie odwrócenie kierunku i zatrzymanie ruchu</li> <li>• przecięcie promienia podczerwonego podczas manewru zamykania powoduje odwrócenie kierunku ruchu; podczas manewru otwierania nie wywołuje żadnego skutku</li> </ul>	
<b>FT B</b> Pomocnicza kraweźdź zamykająca	<ul style="list-style-type: none"> <li>• zadziałanie listwy kraweźdźowej tak podczas manewru otwierania jak i zamykania powoduje krótkie odwrócenie kierunku i zatrzymanie ruchu</li> <li>• przecięcie promienia podczerwonego podczas manewru otwierania powoduje odwrócenie kierunku ruchu; podczas manewru zamykania nie wywołuje żadnego skutku</li> </ul> <p><b>Uwaga: PATRZ UWAGA 1</b></p>	
<b>FT C</b> Pomocnicza kraweźdź zamykająca	<ul style="list-style-type: none"> <li>• zadziałanie listwy kraweźdźowej tak podczas manewru otwierania jak i zamykania powoduje krótkie odwrócenie kierunku i zatrzymanie ruchu</li> <li>• Zadziałanie listwy kraweźdźowej tak podczas manewru otwierania jak i zamykania powoduje krótkie odwrócenie kierunku i zatrzymanie ruchu.</li> </ul> <p><b>Uwaga: PATRZ UWAGA 2</b></p>	

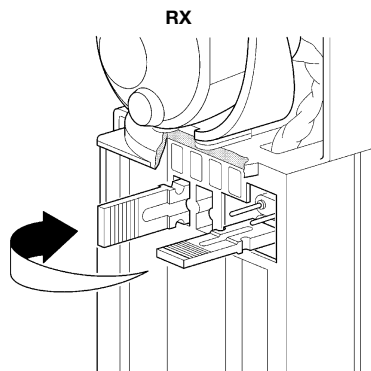
**UWAGA 1:** FTB może być zastosowany nawet do bram dwuskrzydłowych w modalności master- slave (patrz rysunek 6). W takim przypadku FT B ma to samo zachowanie co FT C): zadziałanie listwy kraweźdźowej lub przerwanie wiązki podczerwieni tak podczas manewru otwierania jak i zamykania powoduje krótkie odwrócenie kierunku i zatrzymanie ruchu.

**UWAGA 2:** FTC może być zastosowany również do bram z jednym skrzydłem (patrz rysunek 4 i 5) na które zakłada się 2 listwy kraweźdźowe, przednia i tylna.

8. W celu przyszłego użycia włożyć ewentualnie niewykorzystane mostki do odpowiedniego gniazda (patrz rysunek 20 oraz 21).



20



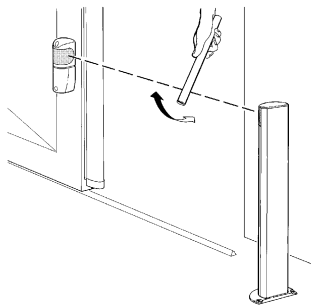
21

## 4) Próby odbiorcze

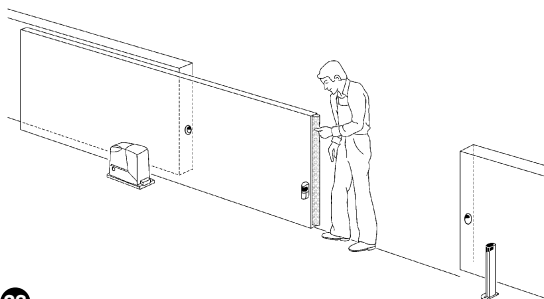
Każda pojedyncza część składowa automatyki wymaga specyficznej próby odbiorczej. Do wykonania prób odbiorczych "FT210B" należy wykonać następujące czynności: W przypadku, gdy występują 2 urządzenia FT210B (patrz rysunek 3 oraz 4) sekwencję należy powtórzyć dla każdego z urządzeń.

**Uwaga:** W niektórych punktach wymagane są próby przy bramie w ruchu; jako że automatyka MOŻE nie być dostatecznie PEWNA należy zwrócić szczególną uwagę przy wykonywaniu tych prób.

1. Sprawdzić czy były rygorystycznie przestrzegane zalecenia zawarte w niniejszym podręczniku, a w szczególności w rozdziale 1 "Ostrzeżenia" i 3 "Instalacja"
2. Wysprzęglić i otworzyć całkowicie skrzydło bramy tak, aby ustawić TX jak najdalej od RX.
3. sprawdzić, czy nie ma przeszkód pomiędzy TX i RX.
4. Jeśli są już podłączone, odłączyć odbiornik od "BlueBUS" i wyjąć akumulator z nadajnika.
5. Odłączyć listwę rezystancyjną od zacisków TX i omomierzem zmierzyć wartość oporu na wyjściu listwy, po czym sprawdzić czy wartość zawiera się pomiędzy 7700Ω a 8700Ω (nominalne 8200Ω).
6. Przycisnąć listwę, aby ją uaktywnić i zmierzyć ponownie wartość oporu; sprawdzić czy wartość jest mniejsza od 1000Ω lub większa od 16500Ω.
7. Ponownie podłączyć listwę do styków TX.
8. Ponownie podłączyć odbiornik do "BlueBUS" i wykonać w centralce sterowniczej procedurę rozpoznawania urządzeń podłączonych do "BlueBUS".
9. Sprawdzić czy dioda L1 (Ir Level) L2 (Fototest KO) i L3 (Sensitive Device KO) świecą się; sprawdzić czy dioda L4 (Sensitive Device OK) zgasła (patrz rysunek 23).
10. Usunąć mostek JP3 w TX w taki sposób, aby wciąż transmitował dane w trybie SZYBKl.
11. Jeśli odległość pomiędzy TX i RX jest większa od 7m sprawdzić czy mostek JP1 w TX jest założony (czyli zaprogramowany na odległość do 15m).
12. W TX założyć baterię FTA1 lub FTA2 (patrz rysunek 29 lub 30).
13. W odbiorniku RX sprawdzić, czy dioda L1 (Ir Level) miga; czy diody L2 (Fototest KO) i L4 (Sensitive Device OK) świecą się i czy dioda L3 (Sensitive Device KO) jest zgaszona.
14. Jeśli jest to konieczne, należy wyregulować ustawienie liniowe ustawiając soczewki w TX i w RX, tak, jak wskazano na rysunku 18. Kierować się sygnalizacją diody L1 (Ir Level); im mniejsza jest częstotliwość migania to lepsze jest ustawienie liniowe. Optymalne wyregulowanie jest wówczas, kiedy dioda L1 błyska powoli czyli maksymalnie 3 razy na sekundę.
15. Powtórzyc próbę umieszczając zabezpieczenia górne na TX i na RX. Należy zauważyć, że na zabezpieczeniu RX znajduje się filtr tłumiący, który symuluje warunki klimatyczne, jakie można napotkać podczas użytkowania.
16. Przesunąć skrzydło bramy przez cały skok i sprawdzić czy miganie diody L1 jak i ustawienie liniowe są cały czas optymalne.
17. W celu dokonania oceny funkcjonowania FT210B w części związanej z odczytem optycznym przeszkody (typu D), a zwłaszcza potwierdzenia braku zakłóceń pochodzących od innych urządzeń, przesunąć walec o średnicy 50mm, przecinając oś optyczną najpierw w pobliżu TX, następnie w pobliżu RX a potem w połowie odległości między nimi (patrz rysunek 22) i sprawdzić, czy we wszystkich tych przypadkach urządzenie zadziała przechodząc ze stanu aktywnego do stanu alarmu (dioda L1 świeci się) i odwrotnie;
18. Aby sprawdzić FT210B w części związanej z urządzeniem reagującym na nacisk PSPE nacisnąć i zwolnić listwę krawędziową tak, jak pokazano na rysunku 23 i sprawdzić czy dioda L4 zgaśnie, a dioda L3 zaświeci się i na odwrót.
19. Jeśli ten sposób programowania jest preferowany, założyć mostek JP3 w TX w taki sposób, aby po kilku sekundach po zakończeniu ruchu transmisja przeszła na sposób WOLNY.
20. W przypadku gdy czynność opisana w poprzednim punkcie została wykonana należy sprawdzić czy po określonym czasie (patrz JP2 w tabeli 1) nadajnik przejdzie na tryb WOLNY. Transmisję w trybie WOLNYM można rozpoznać obserwując diodę L1, która będzie migłała w cyklu: cztery krótkie mignięcia - przerwa.



22



23

21. Połączyć mechanicznie skrzydło bramy z siłownikiem i włączyć przesuw skrzydła. Sprawdzić w międzyczasie czy na początku ruchu dioda L2 zgaśnie wskazując, że test czujnika, który odczytuje wibracje bramy w ruchu, zakończył się pomyślnie.

22. Wykonać kilka ruchów automatycznych i sprawdzić czy otwieranie i zamykanie odbywa się prawidłowo i bez zmiany kierunku ruchu.

23. Wykonać i inne manewry a podczas manewru zamykania (jeśli skierowany zgodnie z "FT A") lub manewr otwierania (jeśli skierowany zgodnie z "FT B i "FT C") zadziałując na optyczny wykrywacz przeszkód w sposób opisany w punkcie 17 i sprawdzić, czy wywołuje przewidywany skutek, na przykład odwrócenie kierunku ruchu

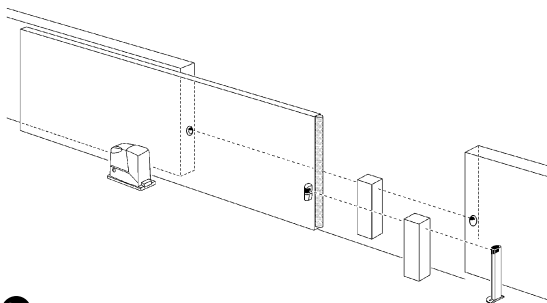
24. W czasie dalszych manewrów, podczas zamykania nacisnąć na listwę krawędziową tak, jak wskazano w punkcie 18 i sprawdzić czy spowoduje to właściwe zachowanie bramy, czyli na przykład zmianę kierunku ruchu.

25. Kontrola FT210B zgodnie z normą EN 12445, w części związanej z czujnikiem optycznym (typu D) ma być wykonana poprzez zastosowanie równoległościanu próbnego 700x300x200mm mającego 3 boki z jasną i odbijającą powierzchnią oraz 3 boki z ciemną i matową powierzchnią, jak przedstawiono na rysunku 24 i według wymagań znajdujących się w rozdziale 7 wg. normy EN 12445:2000 (lub załącznik A w prEN12445:2005).

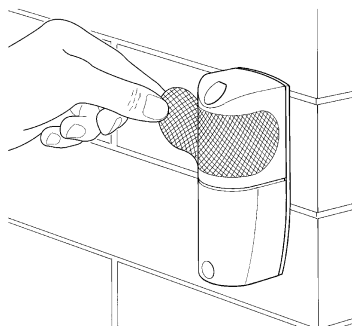
26. Kontrola FT210B zgodnie z normą EN 12445, w części związanej z urządzeniem reagującym na nacisk PSPE; jeżeli niebezpieczne sytuacje wywołane ruchem bramy zostały zlikwidowane poprzez zmniejszenie siły uderzenia (typu C), należy wykonać pomiar siły właściwym przyrządem i we właściwych punktach według tego co przewidziano w normie EN 12445 punkt 5.

27. Po sprawdzeniu wszystkich poprzednich punktów, usunąć filtr tłumikowy z szybki odbiornika FX tak, ja wskazano na rysunku 25.

28. Po zakończeniu prób odbiorczych należy pamiętać o zamknięciu wszystkich obudów poszczególnych urządzeń.



24



25

## 5) Rozszerzenie wiadomości

W tym rozdziale będą przedstawione możliwości personalizacji diagnostyki i poszukiwania anomalii w FT210B.

### 5.1) Przykład wykorzystania FT210B jako wykrywacza obecności

FT210B można zastosować jako prosty wykrywacz obecności typu D bez podłączenia listwy krawędziowej.

W tym przypadku należy:

1. Wykonać fazy montażowe w sposób opisany w paragrafie "Instalacja" bez podłączenia listwy krawędziowej i pozostawiając rezystor 8200Ω podłączony do wejścia TX.
2. Odłączyć mostek "JP3" nadajnika w taki sposób, aby transmisja odbywała się w sposób SZYBKl.
3. Założyć mostki odbiornika w zależności od obszaru bramy, w którym zamierza się ustawić FT210B (rysunki 3) oraz zgodnie z tabelą 3.

**Uwaga:** Sposób transmisji SZYBKl zmniejsza trwałość baterii nadajnika. W takim przypadku trwałość baterii typu "C" (zestaw FTA1) jest szacowana następująco:

- około 24 miesięcy dla bram do 7m długości (mostek JP1 dla TX zdjęty)
- około 18 miesięcy dla bram do 15m długości (mostek JP1 dla TX założony)



## 5.2) Przykład użytkowania FT210 jako tylko odbiornika stanu listwy krawędziowej

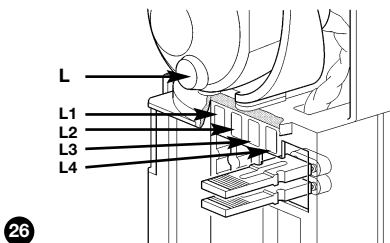
Gdy przypadku FT210 B został zastosowany odbiornik stanu listwy krawędziowej, bez funkcji odczytu obecności, zaleca się zainstalowania urządzenia optycznego tak, jak przedstawiono na rysunku 5 i 6.

W tym przypadku należy:

1. Wykonać fazy montażu przedstawionej w paragrafie "Instalowanie".
2. Stworzyć mostki na TX zgodnie z własnymi wymaganiami, patrz Tabela 2.
3. Stworzyć mostek JPX na RX (patrz Tabela 3) dokładnie aby uzyskać funkcję "FT B" lub "FT C" wskazane na rysunku.

## 5.3) Sygnalizacja

Odbiornik FT210B posiada kilka diod sygnalizacyjnych (patrz rysunek 26), które świecą w różny sposób, odpowiednio od stanu funkcjonowania



26

**Tabela 4 sygnalizacja**

Dioda L (czerwona)	Przyczyna	Działanie
2 krótkie mignięcia przerwa 2 krótkie mignięcia	Sygnalizacja rozładowanej baterii w TX	Jak najszybciej wymienić baterię w nadajniku na identyczną
Dioda L1 (czerwona) IR Level	Przyczyna	Działanie
Miganie regularne	Częstotliwość migania wskazuje jakość odbioru: im wolniejsze miganie tym lepszy odbiór	Wszystko OK jeśli miganie jest wolne: maksymalnie 3 mignięcia na sekundę, w przeciwnym wypadku należy sprawdzić ustawienie liniowe TX i RX
Świeci na stałe	Do odbiornika nie dociera żaden sygnał podczerwony z TX	Usunąć przeszkodę lub poprawić ustawienie liniowe pomiędzy TX i RX
2 krótkie mignięcia przerwa 2 krótkie mignięcia	Urządzenie zaadresowane w niewłaściwy sposób	Urządzenie fotooptyczne FT210B posiada niedozwoloną funkcję. Ustawić mostek odbiornika we właściwy sposób, zgodnie z tabelą 3
3 krótkie mignięcia przerwa 3 krótkie mignięcia	Urządzenie nie zaprogramowane w centrali sterowania	Powtórzyć procedurę programowania centrali. Sprawdzić, czy wszystkie urządzenia fotooptyczne FT210B posiadają różniące się adresy.
4 krótkie mignięcia przerwa 4 krótkie mignięcia	Nadajnik w trybie WOLNYM	Wszystko OK jeżeli brama nie rusza się
5 krótkich mignięć przerwa 5 krótkich mignięć	Nadajnik odbiera sygnał podczerwieni, który zakłóca odbiór i którego nie rozpoznaje	Obcy nadajnik wysyła sygnał w kierunku odbiornika, należy usunąć zakłócenie; sprawdzić ustawienie liniowe wszystkich urządzeń
7 krótkich mignięć przerwa 7 krótkich mignięć	Odbiornik odbiera sygnał podczerwieni pochodzący z drugiego nadajnika FT210B	Usunąć drugi nadajnik. Dwa nadajniki FT210B nie mogą być ustawione na tym samym obszarze.
Dioda L2 (żółta) Fototest KO	Przyczyna	Działanie
Świeci na stałe	Sygnalizuje błąd testu początku ruchu i nadajnik nie przechodzi na tryb SZYBK1	Prawdopodobne wadliwe funkcjonowanie czujnika ruchu
Zgaszona	Test początku ruchu zakończył się pozytywnie	Wszystko OK
Dioda L3 (czerwona) Sensitive Device KO	Przyczyna	Działanie
Świeci na stałe	Listwa krawędziowa podłączona do nadajnika jest uaktywniona	Sprawdzić powód uaktywnienia listwy
Zgaszona	Listwa krawędziowa podłączona do nadajnika nie jest uaktywniona	Wszystko OK
Dioda L4 (zielona) Sensitive Device OK	Przyczyna	Działanie
Świeci na stałe	Listwa krawędziowa podłączona do nadajnika nie jest uaktywniona	Wszystko OK
Zgaszona	Listwa krawędziowa podłączona do nadajnika jest uaktywniona	Sprawdzić powód uaktywnienia listwy

PL

#### 5.4) Rozwiązywanie problemów

W tabeli 5 można znaleźć użyteczne wskazówki związane z ewentualnym wadliwym funkcjonowaniem, które można zastosować podczas instalowania lub w przypadku awarii.

**Tabela 5: poszukiwanie usterek**

Objawy	Zalecana kontrola
Nie można sterować bramą; wszystkie diody odbiornika urządzenia FT210B są zgazzone.	Sprawdzić, czy odbiornik jest właściwie podłączony do "BlueBUS"
Brama zaczyna ruch ale po 1 sekundzie zatrzymuje się; dioda 2 (żółta) świeci się	Test na początku manewru nie dał pozytywnego wyniku i prawdopodobne jest uszkodzenie czujnika ruchu bramy znajdującego się w TX
Podczas ruchu brama zatrzymuje się i zmienia kierunek ruchu; dioda L1 (czerwona) świeci się w sposób ciągły	Sprawdzić obecność przeszkód lub ustawienie liniowe TX i RX wzdłuż całej drogi bramy
Podczas ruchu brama zmienia kierunek ruchu i zatrzymuje się; dioda L3 (czerwona) świeci się a dioda L4 (zielona) jest zgazszona.	Zainterweniowała listwa krawędziowa. Usunąć przeszkodę lub sprawdzić funkcjonowanie listwy krawędziowej
Co jakiś czas brama zatrzymuje się i zmienia kierunek ruchu; brama jest otwarta i dioda L1 (czerwona) szybko miga	Sprawdzić ustawienie liniowe pomiędzy TX i RX wzdłuż całej drogi bramy
Co jakiś czas podczas ruchu brama zatrzymuje się i zmienia kierunek ruchu; czasami brama całkowicie blokuje się; dioda L (czerwona) wciąż wydaje 2 krótkie mignięcia	Bateria w TX jest rozładowana i połączenie pomiędzy TX i RX nie może być właściwie zrealizowane. Miganie diody L (czerwona) wskazuje, że należy wymienić baterię.

## 6) Konserwacja

Urządzenie FT210B nie wymaga specyficznych czynności konserwacyjnych ale co 6 miesięcy należy sprawdzić stan fotokomórek (zawilgocenie, ślady utleniania, itp.), należy wyczyścić obudowę zewnętrzną i soczewki i przetestować ponownie działanie fotokomórki według instrukcji opisanych w rozdziale 4 "Próby odbiorcze". FT210B została opracowana do pracy w warunkach normalnych przez co najmniej 10 lat, po tym okresie należy częściej dokonywać konserwacji urządzenia.

Wymienić akumulator nadajnika jeśli tuż po zakończeniu pełnego manewru (kiedy transmisja odbywa się jeszcze w trybie SZYBKIM), stwierdza się napięcie baterii niższe niż 2,7 V.

## 7) Likwidacja

Tak, jak w przypadku instalowania, po upływie okresu użytkowania tego produktu czynności demontażu powinny być wykonywane przez wykwalifikowany personel.

Wyrób ten składa się z różnego rodzaju materiałów, niektóre z nich mogą być odzyskane, inne muszą zostać utylizowane, należy zasięgnąć informacji na temat systemów recyklingu lub utylizacji przewidywanych dla tego rodzaju produktu przez lokalne przepisy.

**Uwaga:** niektóre części wyrobu mogą zawierać substancje zanieczyszczające lub stwarzające zagrożenie. Jeśli trafią one do środowiska, mogą wywołać skutki szkodliwe dla niego i dla zdrowia ludzkiego.

Jak wskazuje symbol z rys. 27 zabrania się wyrzucać ten produkt wraz z odpadkami domowymi. Należy przeprowadzić "zbiórkę selektywną" na potrzeby utylizacji zgodnie ze sposobami przewidzianymi w miejscowych przepisach lub zwrócić produkt do sprzedawcy z chwilą zakupu nowego, równoważnego wyrobu.

Miejscowe przepisy mogą przewidywać ciężkie sankcje w przypadku samowolnej utylizacji tego wyrobu.

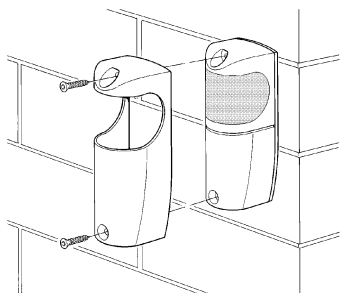
**Uwaga:** produkt działa na baterie, które mogą zawierać substancje zanieczyszczające środowisko, nie wyrzucać tego produktu do pojemników na zwykłe odpady. Po ich wyciągnięciu z urządzenia (patrz paragraf "Wymiana baterii" w rozdziale "Instrukcje i ostrzeżenia dla użytkownika FT210B" należy je zbyć zgodnie z obowiązującymi normami miejscowymi dotyczącymi zużytych baterii.



## 8) Akcesoria

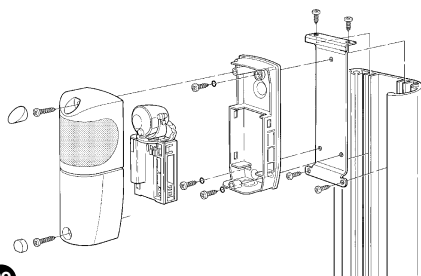
Do dyspozycji są następujące akcesoria:

- FA1: Obudowa "pancerna", którą należy zamontować jak pokazano na rysunku 27
- FA2: wspornik do mocowania na kolumnkach "MOCF", który należy zamontować jak pokazano na rysunku 28

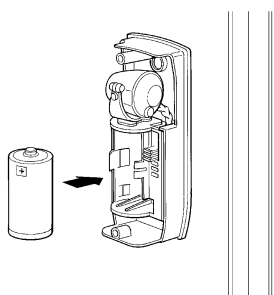


28

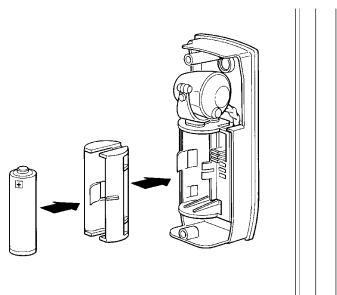
- FTA1: bateria 3,6V; 7Ah wymiar C, którą należy zamontować jak pokazano na rysunku 29
- FTA2: bateria 3,6V; 2Ah wymiar AA, którą należy zamontować jak pokazano na rysunku 30



29



30



31

PL

## 9) Dane techniczne

W celu zapewnienia stałej poprawy własnych wyrobów NICE S.p.a zastrzega sobie prawo do zmiany danych technicznych w dowolnym czasie i bez uprzedniego zawiadomienia pod warunkiem jednak zachowania takiej samej funkcjonalności i przeznaczenia. Uwaga: wszystkie dane techniczne nawiązane są do temperatury 20°C.

Dane techniczne urządzenia FT210B	
Typ	Urządzenie do transmisji drogą optyczną stanu listwy krawędziowej ze stałą rezystancją, zamontowanej na części ruchomej; składa się z nadajnika wysyłającego promieniowanie podczerwone (TX), zasilanego baterią, do którego podłączona jest listwa krawędziowa - zamontowanego na ruchomym skrzydle i z odbiornika (RX) znajdującego się na części stałej.
Zastosowana technologia	Transmisja przy bezpośrednim kontakcie optycznym TX-RX promieniem światła podczerwonego modulowanego i kodowanego.
Zasilanie odbiornika	Urządzenie może być podłączone jedynie do sieci "BlueBUS" z której pobiera zasilanie elektryczne i do której wysyła sygnały wyjściowe.
Moc pochłaniana odbiornika	0,5 jednostki BlueBUS
Zasilanie nadajnika	3,6V baterie litowe typu C lub AA
Trwałość baterii nadajnika (z założonym JP3)	Oszacowana na 15 lat z baterią typu C, pojemność 7Ah; (użytkowanie "w zespołach mieszkaniowych": odległość TX-RX do 7m; 20 ruchów na dzień - każdy ruch 90s) Oszacowana na około 5,5 lat z baterią typu C, pojemność 7Ah; (do użytku w przemyśle: odległość TX-RX do 15m; 200 ruchów na dzień - każdy ruch 90s) Oszacowana na około 6 lat z baterią typu AA, pojemność 2Ah; (do użytku w zespołach mieszkalnych: odległość TX-RX do 7m; 20 ruchów na dzień - każdy ruch 90s)
Zakres stanów wejścia urządzenia Czuły (Rs)	Typowy 8,2k $\Omega$ ; +22%/-65% do stanu aktywnego (On) Zakres stanu aktywnego (On), przy Rs > 2.870 i Rs < 10.010. Zakres stanu wyłączzonego (Off): przy Rs < 2.590 lub Rs > 11.060.
Zdolność odczytu czujnika obecności typu D	Przedmioty z ciemną i matową powierzchnią na osi optycznej TX-RX z wymiarami większymi niż 50mm i prędkości mniejszej od 1,6m/s
Kąt transmisji TX	+/-4° (wartość odczytana w 50% zasięgu)
Kąt odbioru RX	+/-3° (wartość odczytana w 50% zasięgu)
Zakres regulacji	około 210° w płaszczyźnie poziomej i 30 pionowej
Zasięg użytkowy	7m lub 15m (przy założonym JP1 w TX) przy rozbieżności osi TX-RX maksymalnie $\pm 2^\circ$ (zasięg może zmniejszyć się w przypadku zjawisk atmosferycznych szczególnie intensywnych typu: mgła, deszcz, śnieg, kurz, itp.)
Zasięg maksymalny (w optymalnych warunkach)	15m lub 30m (przy założonym JP1 w TX) przy rozbieżności osi TX-RX maksymalnie $\pm 2^\circ$
Czas odpowiedzi czujnika obecności	<96ms (zwykle 65ms) przy 1 parze fotokomórek MOFB połączonych z FT210B
Czas odpowiedzi na zadziałanie listwy krawędziowej	< 64ms (zwykle 50ms)
Kategoria odporności na usterkę	3 (według normy EN 954-1)
Użytkowanie w środowisku kwaśnym, słonym lub potencjalnie wybuchowym	Nie
Montaż	RX: Pionowo do ściany lub na kolumnie "MOCF" ze wspornikiem mocującym "FA2" TX: Bezpośrednio na bramie poprzez przykręcenie śrubami (na wyposażeniu).
Stopień zabezpieczenia pojemnik	IP44
Temperatura pracy	-20÷55°C
Wymiary	46 x 128 h 45mm
Ciężar	Odbiornik: 135g Nadajnik 165g z FTA1 lub 140g z FTA2

# Instrukcje i ostrzeżenia przeznaczone dla użytkownika FT210B

Instrukcje te mogą być zintegrowane z "Instrukcją i ostrzeżeniami związanymi z automatyką", które instalator winien przekazać właścicielowi automatyki.

- **Czynności konserwacyjne:** Jak każde urządzenie, wasza automatyka wymaga okresowej konserwacji, aby mogła pracować możliwie długo i z zachowaniem pełnego bezpieczeństwa. Uzgodnijcie z waszym instalatorem plan okresowej konserwacji; Nice zaleca wykonywanie tych prac co 6 miesięcy w warunkach normalnego użytkowania domowego, lecz okres ten może się zmieniać w zależności od intensywności użytkowania. Wszelkie prace kontrolne, konserwacyjne lub naprawcze powinny być wykonywane wyłącznie przez wykwalifikowany personel.
- Nawet jeśli uważacie, że potraficie to zrobić, nie zmieniajcie instalacji ani parametrów programowania i regulacji automatyki; odpowiedzialność za to spoczywa na waszym instalatorze.
- Odbiór, okresowe konserwacje oraz ewentualne naprawy powinny być udokumentowane przez wykonującego je, a dokumenty powinny być przechowywane przez właściciela urządzenia.
- Jedyne prace, jakie są dla państwa możliwe do wykonania i zalecamy ich okresowe wykonywanie, to czyszczenie szkieł fotokomórek oraz usuwanie ewentualnych liści lub kamieni, które mogłyby przeszkodzić w pracy automatyki. W celu niedopuszczenia, aby ktokolwiek mógł uruchomić bramę, przed podjęciem działania należy pamiętać o wysprężeniu automatyki, a do czyszczenia używać wyłącznie szmatki lekko zwilżonej wodą.
- Utylizacja: Na zakończenie użytkowania automatyki należy upewnić się, że utylizacja zostanie wykonana przez wykwalifikowany personel i że materiały zostaną wykorzystane ponownie lub utylizowane według lokalnie obowiązujących norm.
- **Wymiana baterii** nadajnika urządzenia FT210B  
Nadajnik znajdujący się na ruchomym skrzydle posiada specjalną baterię litową 3,6V. Trwałość baterii oszacowana jest na wiele lat; trwałość jej zależy od warunków użytkowania. Przewidziana jest sygnalizacja na kilka miesięcy przed całkowitym wyczerpaniem się baterii po to, aby dać

czas użytkownikowi na jej wymianę.

Właściwy moment na wymianę baterii jest wówczas, kiedy **na odbiorniku** znajdującym się na części stałej (przy ścianie jak wskazano na rysunku A lub na kolumieście jak wskazano na rysunku B) pojawi się następująca sygnalizacja: **2 krótkie mignięcia z 1-sekundową przerwą.**

Bateria znajduje się w **nadajniku** zamontowanym na skrzydle bramy; aby ją wymienić należy:

- 1) Ściągnąć zaślepki śrub tak, jak wskazano na rysunku C
- 2) Wykręcić śruby mocujące pokrywkę i usunąć ją tak, jak wskazano na rysunku C
- 3) Wyciągnąć baterię podważając ją śrubokrętem
- 4) Odczekać co najmniej 10 sekund przed założeniem nowej baterii
- 5) Ustawić zgodnie z biegunowością: „plus” w kierunku do góry
- 6) Założyć nową baterię tak, jak przedstawiono na rysunku D lub E, w zależności od używanego typu
- 7) Przykręcić pokrywkę śrubami i założyć właściwe zaślepki

**Uwaga:** produkt działa na baterie, które mogą zawierać substancje zanieczyszczające środowisko, nie wyrzucać tego produktu do pojemników na zwykłe odpady.

Po ich wyciągnięciu z urządzenia (patrz paragraf "Wymiana baterii" w rozdziale "Instrukcje i ostrzeżenia dla użytkownika FT210B" należy je zbyć zgodnie z obowiązującymi normami miejscowymi dotyczącymi zużytych baterii.

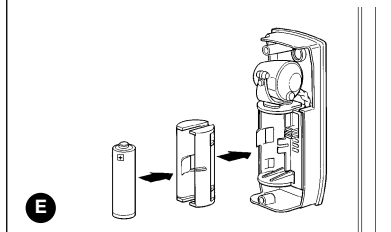
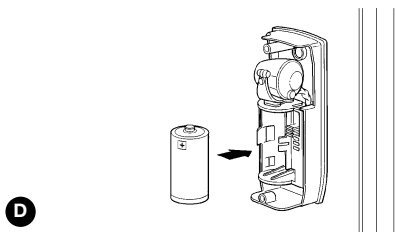
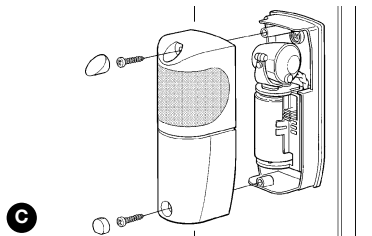
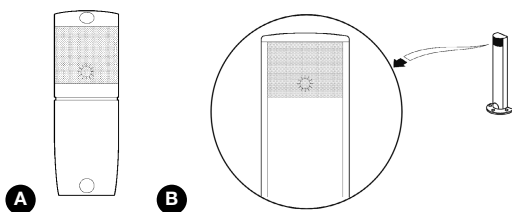


Do dyspozycji są 2 rodzaje baterii:

- FTA1: bateria 3,6V; 7Ah wymiar C, którą należy zamontować jak pokazano na rysunku D
- FTA2: bateria 3,6V; 2Ah wymiar AA, którą należy zamontować jak pokazano na rysunku E

**Uwaga: Baterie stosowane w tym produkcie są bateriami alkalijnymi.**

**Zarządca od firmy Nice s.p.a zestaw baterii wymiennych "FTA1" o "FTA2".**





## 1) Aanbevelingen

Deze handleiding met aanwijzingen bevat belangrijke informatie met betrekking tot een veilige installatie; u dient alle aanwijzingen eerst te lezen voordat u met de installatie gaat beginnen. Bewaar deze handleiding zorgvuldig zodat ze ook in de toekomst geraadpleegd kan worden. Met het oog op de gevaren die zich tijdens het installeren en het gebruik van FT210B kunnen voordoen, is het voor een zo groot mogelijke veiligheid noodzakelijk dat de installatie met volledige inachtneming van wetten, normen en voorschriften uitgevoerd wordt.

**Volgens de meest recente Europese wetgeving valt de automatisering van een deur of een poort onder de bepalingen van de Richtlijn 98/37/EG (Machinerichtlijn) en met name, onder de normen: EN 13241-1 (geharmoniseerde norm); EN 12445; EN 12453 en EN 12635, op grond waarvan het mogelijk is te verklaren dat de automatisering in overeenstemming met de Machinerichtlijn is.**

Verdere inlichtingen, richtlijnen ten aanzien van risico's en het samenstellen van het technisch dossier zijn beschikbaar op: "www.niceforyou.com". Deze handleiding is uitsluitend bestemd voor technisch personeel dat voor de installatie gekwalificeerd is, is geen enkele andere informatie die in dit dossier is vervat, kan als interessant voor de eindgebruiker worden beschouwd!

- Ieder ander gebruik van FT210B dan van wat in deze aanwijzingen voorzien is, is verboden; oneigenlijk gebruik kan gevaar of schade aan zaken en mensen veroorzaken.
- Breng geen wijzigingen aan onderdelen aan, indien dit niet in deze handleiding is voorzien. Dergelijke handelingen kunnen alleen maar storingen veroorzaken. NICE wijst elke aansprakelijkheid voor schade tengevolge van gewijzigde artikelen van de hand.
- FT210B mag uitsluitend via rechtstreekse interpolatie tussen TX en RX functioneren; gebruik via reflectie is verboden.

- Gebruik de juiste geleiders voor de elektrische aansluitingen zoals u dat in het hoofdstuk "Installatie" kunt vinden.
- Vergewis u ervan dat de elektrische stroomvoorziening en de overige gebruiksparameters overeenstemmen met de waarden zoals die in de tabel "Technische gegevens" opgevoerd zijn.
- Vervaardiging van veiligheidsinrichtingen voor automatische deuren en poorten is onderworpen aan onderstaande regelgeving:
  - EN 12453 Deuren en poorten voor industrie, handel en garages. Veiligheid bij het gebruik van door motoren aangedreven deuren - Vereisten
  - EN 12978 - Deuren en poorten voor industrie, handel en garages. Veiligheidsinrichtingen voor door motoren aangedreven deuren en poorten - Vereisten en testmethodes.

Het installeren en aansluiten van FT210B met het doel een veiligheidsinrichting te vervaardigen, zonder aan de vereisten van deze normen te voldoen komt overeen met nalatigheid en opzettelijk misbruik!

Bijzondere aanbevelingen ten aanzien van de gebruiksgeschiktheid van dit product in samenhang met de Richtlijn "Elektromagnetische Compatibiliteit" 89/336/EEG en daaropvolgende wijzigingen 92/31/EEG en 93/68/EEG:

Dit product is in de meeste kritieke gebruikssituaties onderworpen aan tests met betrekking tot elektromagnetische compatibiliteit, in de configuraties zoals die in deze handleiding voorzien zijn en in combinatie met de artikelen uit de productencatalogus van Nice S.p.A. De elektromagnetische compatibiliteit zou niet gegarandeerd kunnen worden als het product gebruikt wordt met andere producten, die niet voorzien zijn; het is verboden dit product in deze situaties te gebruiken tot de installateur heeft gecontroleerd of het voldoet aan de in de richtlijn gestelde eisen.

## 2) Beschrijving van het product en gebruiksdoel

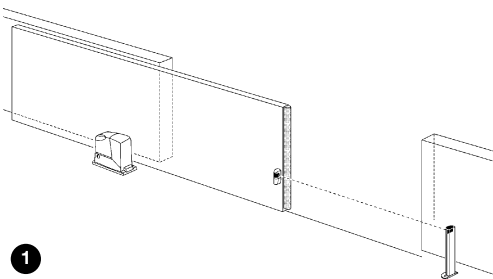
FT210B is een inrichting voorzien van "BlueBUS"-technologie waarmee het mogelijk is het probleem van de elektrische aansluitingen van contactlijsten op bewegende vleugels op te lossen. Ze bestaat uit een zender met infrarode stralen (TX), die door een batterij met lange levensduur van stroom wordt voorzien, welke op de bewegende vleugel aangebracht dient te worden en waarop de contactlijst wordt aangesloten. Hierbij komt een ontvanger (RX) die op het vaste deel wordt aangebracht en door slechts 2 draden op alle besturingseenheden en inrichtingen voorzien van de "BlueBUS"-technologie wordt aangesloten. FT210B kan op 2 manieren gebruikt worden:

- als onderdeel van een veiligheidssysteem dat op contact reageert (PSPE), via controle van de status van de contactlijst
- als obstakeldetectie-inrichting van het type D (fotocel) via controle van onderbreking van de infraroodstraal

In het eerste geval wordt de contactlijst van het type met een constante weerstand 8,2kohm voortdurend door de zender gecontroleerd en de status van activering of inactivering wordt naar de ontvanger verzonden. De ontvanger RX interpreteert de ontvangen informatie en stuurt die via het "BlueBUS"-net naar de bedieningseenheid. De verzending tussen TX en RX en de "BlueBUS"-communicatie zijn met zeer veilige technieken gecodeerd zodat het gehele systeem

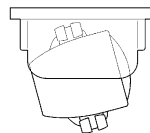
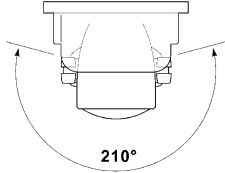
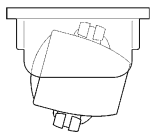
TX/RX/Besturingseenheid conform de veiligheids categorie 3 voor defecten volgens de norm EN 954-1 is en dus bruikbaar is in systemen PSPE conform de norm EN 12978.

In het tweede geval, als TX en RX zo worden gepositioneerd dat de optische communicatie via de opening plaatsvindt (zie afbeelding 1), kan de inrichting ook gebruikt worden als obstakeldetectie-inrichting (type D volgens de norm EN 12453); een voorwerp dat de straal onderbreekt, veroorzaakt immers een alarm van de obstakeldetectie-inrichting dat via BlueBUS onafhankelijk van de staat van activering van de contactlijst apart verstuurd wordt.



1

Met de mogelijkheid de FT210B over 210° op de horizontale as en 30° op de verticale as te richten, kan ze ook gebruikt worden waar bevestigingsvlakken een correcte uitlijning tussen TX en RX zouden beletten (zie afbeelding 2).



2

**Wanneer de fotoinrichting FT210B volgens de aanwijzingen geassembleerd is en van de specifieke contactlijst TCB65, voorzien is en bedieningseenheid voorzien van "BlueBUS"-technologie verklaart de fabrikant dat die in overeenstemming is met onderstaande normen:**

- EN 954-1 Veiligheid van machines - Delen van bedieningsystemen die met de veiligheid van doen hebben - Algemene beginselen voor het ontwerpen daarvan
- EN 1760-2 Veiligheid van machines - Veiligheidsinrichtingen die op contact reageren - Algemene beginselen voor het ontwerpen en testen van contactlijsten en -staven

- EN 12978 - Deuren en poorten voor industrie handel en garages. Veiligheidsinrichtingen voor door motoren aangedreven deuren en poorten - Vereisten en testmethoden

**⚠ De FT210B alleen is geen volledige veiligheidsinrichting maar maakt slechts deel daarvan uit!**

### 3) Installatie

**⚠ Alle installatiewerkzaamheden dienen uitgevoerd te worden terwijl er geen stroom op de installatie staat; indien er een bufferbatterij aanwezig is, dient deze losgekoppeld te worden.**

#### 3.1) Controles vooraf

- Controleer zorgvuldig of de gebruiksparementen overeenkomen met de gegevens zoals die in het hoofdstuk "Technische gegevens" zijn vermeld. Gebruik in geval van twijfel het product niet en vraag de technische dienst van Nice om opheldering.

Omdat het product zo bijzonder en uniek is, dient u alvorens met de installatie te beginnen enkele aspecten met betrekking tot het werkingsprincipe te beoordelen teneinde een zo groot mogelijke veiligheid en functionaliteit te verkrijgen.

- De zender controleert voortdurend de staat van de contactlijst en verzendt de informatie naar de ontvanger. Om het verbruik van de batterij te beperken maar toch de verlangde veiligheid te garanderen, gebeurt dit met 2 verschillende "snelheden": LANGZAAM wanneer de poort stil staat; SNEL wanneer de poort in beweging is. De zender herkent de staat van de poort in beweging via een speciale sensor die de trillingen van de poort in beweging waarneemt. Zodra de poort in beweging komt, gaat de zender over naar de modus SNEL en blijft daar tot wanneer de poort 10 of 90 seconden stil blijft staan (zie jumpers JP" en JP3 in tabel 1). Om het verlangde veiligheidsniveau te kunnen garanderen moet de ontvanger de staat van de poort kennen, vooral om te controleren of de modus LANGZAAM of SNEL van de zender correct is. Dit controlemechanisme vindt via "BlueBUS" plaats; zolang de manoeuvre duurt, zendt de besturingseenheid de signalering uit dat de poort in beweging is en de ontvanger controleert de juiste modaliteit van de zender.
- FT210B is uitgedacht om andere fotocellen niet te storen en om door hen niet gestoord te worden; dit betekent dat FT210 met andere fotocellen gecombineerd kan worden; maar u dient op het volgende te letten:
  1. als er fotocellen voorzien van BlueBUS-technologie gebruikt worden, is het aantal fotocellen dat met de fotoinrichting FT210B gecombineerd wordt, geen enkel probleem, mits die geïnstalleerd zijn zoals op afb. 4, 5 of 6 is

aangegeven, en geprogrammeerd volgens tabel 3.

2. als er traditionele fotocellen gebruikt worden die door NICE vervaardigd zijn, is werking met tenminste één ander stel fotocellen gegarandeerd
3. als er traditionele fotocellen gebruikt worden die niet oor NICE vervaardigd zijn, zou werking daarvan niet gegarandeerd kunnen worden.

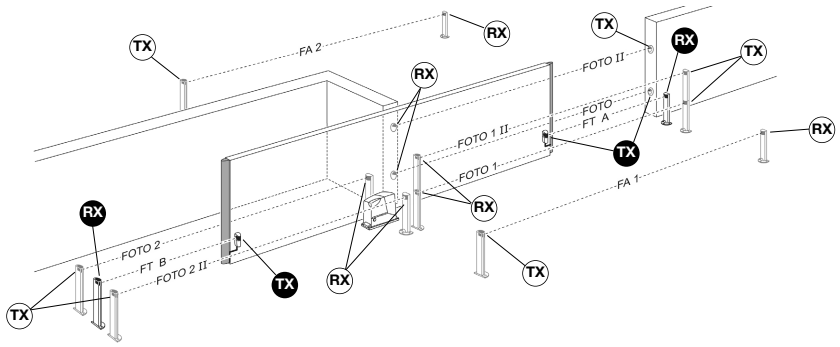
In elk geval dient u, om te controleren dat er geen interferentie met andere inrichtingen bestaat, zorgvuldig de procedure voor de eindtest zoals die in hoofdstuk 4 voorzien is, uit te voeren en de specifieke signalering van tabel 4 te controleren.

- Er kunnen geen twee FT210B-inrichtingen geplaatst worden om hetzelfde gebied te controleren; als een ontvanger het signaal van twee zenders zou ontvangen, zou deze in de "veiligheidsmodus" komen en de poort beletten in beweging te komen. Zie de specifieke signalering in tabel 4.
- Er kunnen wel twee FT210B-inrichtingen geplaatst worden om de voorzijde (FT A) en achterzijde (FT B) van dezelfde poort te controleren, zoals dat op afbeelding 3 aangegeven is.
- Op een vleugel met één enkele FT210B kunnen 2 contactlijsten, voor en achter (FT C) gemonteerd worden, die onderling in cascade verbonden dienen te worden zoals dat in hoofdstuk 3.1.1. beschreven is. In dit geval is het mogelijk FT210B als obstakeldetector te gebruiken waarbij zender en ontvanger gemonteerd worden zoals dat aangegeven is op afbeelding 4; of alleen als melders van de staat van de contactlijst waarbij zender en ontvanger gemonteerd worden zoals dat aangegeven is op afbeelding 5.
- Bij tegenovergestelde vleugels die in de modus master-slave (met Robus of Run) gesynchroniseerd zijn is het mogelijk 2 FT210B-inrichtingen (FT B en FT C) te monteren zoals dat aangegeven is op afbeelding 6. Op elke vleugel kunnen er 1 contactlijst of 2 contactlijsten (voor en achter) aangebracht worden die onderling in cascade verbonden dienen te worden zoals dat beschreven is in hoofdstuk 3.1.1.

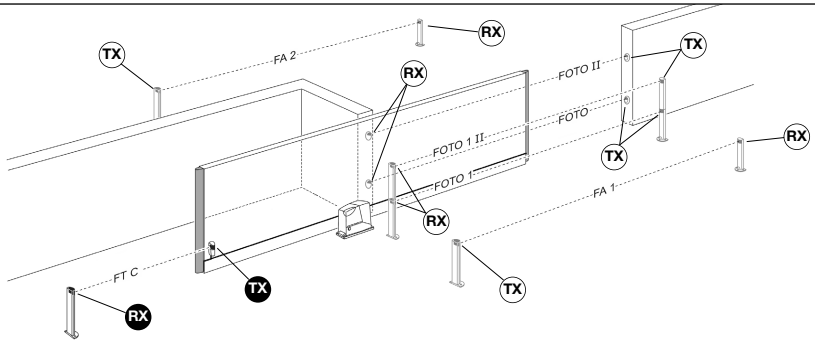
In alle gevallen zoals die op de afbeeldingen 3, 4, 5 en 6 te zien zijn dient u de jumper JPX op de ontvanger aan te brengen (zie tabel 3) om de beschikking te hebben over de functie (FT A; FT B of FT C) zoals dat op de desbetreffende afbeeldingen is aangegeven.



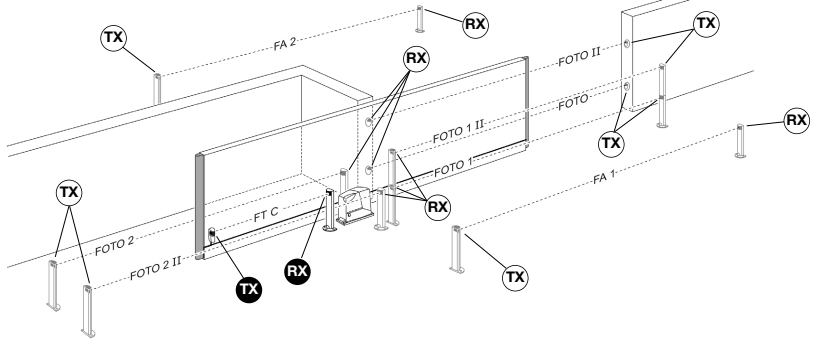
3



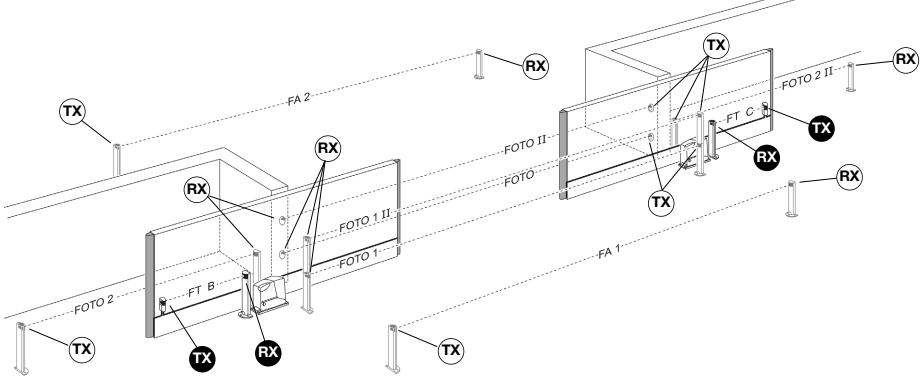
4



5

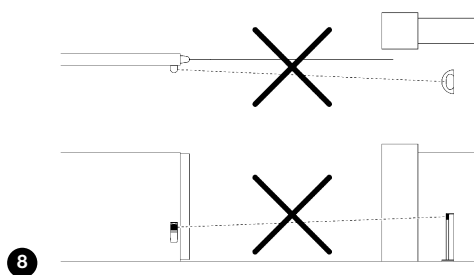
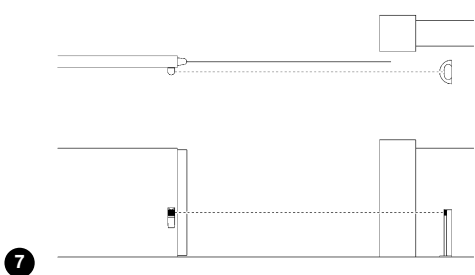


6

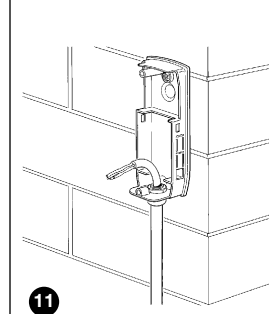
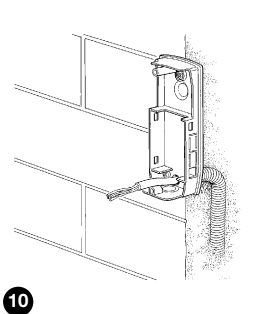
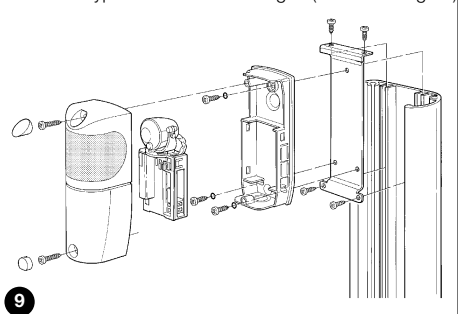


NL

- De zender TX van de FT210B zendt een straal uit onder een hoek van ongeveer  $\pm 4^\circ$ ; een perfecte uitlijning tussen TX en RX is dientengevolge noodzakelijk die over de gehele loop van de poort constant moet blijven. Op afbeelding 7 ziet u een correcte montage; op afbeelding 8 vindt u twee voorbeelden van een verkeerde montage.



- Al naar gelang de omstandigheden kan de ontvanger geïnstalleerd worden op het speciale zultje MOCF met het daarvoor bestemde accessoire FA2 (zie afbeelding 9) of aan de wand bevestigd worden. Als de ontvanger op de muur bevestigd wordt, kan de kabel vanaf de bodem binnenkomen (zie afbeelding 10) of van beneden; in dit geval dient u een kabelklem van het type "PG9" aan te brengen (zie afbeelding 11).



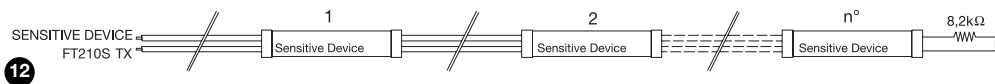
**Tabel 1: lijst kabels**

Aansluiting	Soort kabel	Maximumlengte	Beschrijving
TX: ingang contactlijst	2x0,5mm <sup>2</sup>	20m	ingang voor het aflezen van status contactlijst
RX: "BlueBUS"	2x0,5mm <sup>2</sup>	30m	Aansluiting van de ontvanger op het "BlueBUS"-net van de besturingseenheden

### 3.1.1) Aansluiting van 2 of meer contactlijsten

De zender van FT210B beschikt slechts over één ingang voor contactlijsten maar er kunnen 2 of meer contactinrichtingen die dezelfde functie vervullen in cascade, de één na de ander, aangesloten worden, zoals op afbeelding 12 te zien is, waarbij er één enkele weerstand van 8,2k $\Omega$ . aan het einde geplaatst wordt.

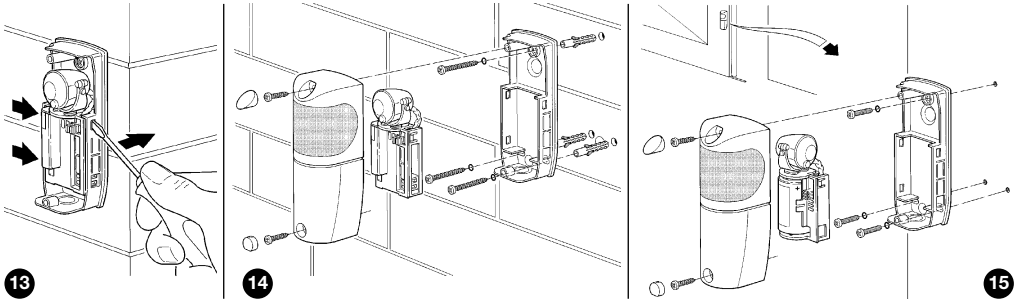
**Let op!:** de weerstandsinrichtingen dienen in cascade aangesloten te worden en nooit serieel of parallel aan elkaar!



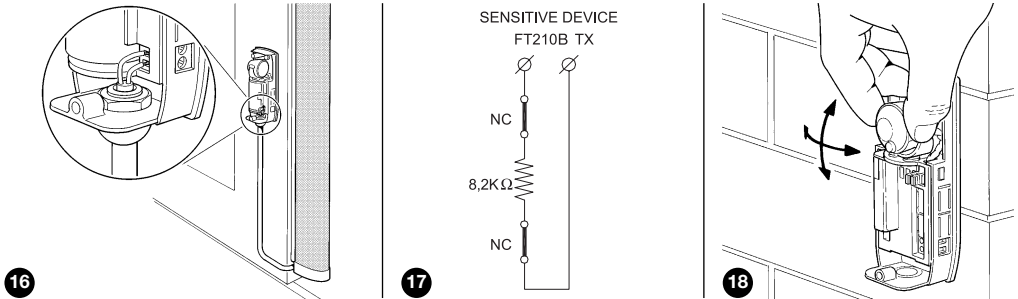
### 3.2) Bevestiging van de inrichtingen

Verricht de installatie en de bevestiging van de inrichtingen in de hieronder vermelde volgorde:

1. Om het bevestigen gemakkelijker te maken is het mogelijk de elektronische kaart van de bodem te scheiden door deze met een schroevendraaier in de drie klikverbindingen op te tillen zoals dat op afbeelding 13 is aangegeven.
2. Bevestig de ontvanger zoals dat op afbeelding 14 is aangegeven.
3. Monteer de zender op de beweegbare vleugel zoals dat op afbeelding 15 is aangegeven



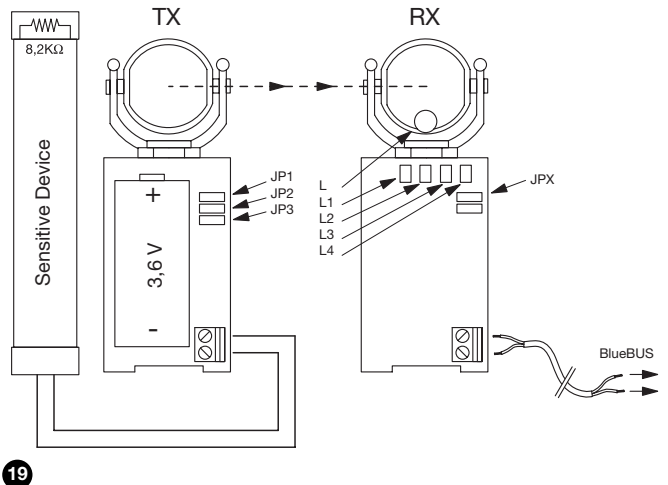
4. Voer op de zender de elektrische aansluiting van de contactlijst, van het type met constante weerstand 8,2Kohm, uit, zoals dat op afbeelding 16 te zien is. De weerstand die op de klemmetjes van de TX aanwezig is, dient verwijderd te worden en gebruikt te worden als eindweerstand van de contactlijst, of kan niet gebruikt worden indien de lijst over een eigen eindweerstand beschikt.



Indien de contactlijst over een uitgang met 2 onafhankelijk beschikbare contacten NC beschikt, is het mogelijk deze aan te sluiten - zoals dat op afbeelding 17 weergegeven is - door de weerstand van 8,2Kohm in serie tussen de twee contacten te plaatsen. Controleer of de fabrikant van de contactlijst tenminste de veiligheids categorie 3 voor defecten volgens de norm EN 954-1 certificeert.

**Let op!**: gebruik geen contactlijsten die als uitgang één enkel contact van het type NC hebben, daar zij niet de door de normen verlangde categorie van weerstand zouden hebben.

5. Verricht de elektrische aansluitingen op „BlueBUS” volgens de aanwijzingen vervat in de handleiding van de besturingseenheid.
6. Richt de lenzen zoals dat op afbeelding 18 te zien is zodat u de best mogelijke uitlijning tussen TX en RX verkrijgt. De correcte uitlijning zal daarna in het hoofdstuk 4 “Eindtest” gecontroleerd worden.
7. Programmeer de jumpers zowel op TX als op RX (zie afbeelding 19) volgens de aanwijzingen in de tabellen 2 en 3 voor de gewenste werking.



NL

**Tabel 2: jumpers op de zender TX**

Jumper	Stand	Beschrijving
JP1	Ingeschakeld	Vermogen van de zender geschikt voor poorten tot 15 meter
	Uitgeschakeld	Vermogen van de zender geschikt voor poorten tot 7 meter
JP2	Ingeschakeld	Schakelt over op overseining LANGZAAM 10 seconden na afloop van de manoeuvre (zie ook JP3) (Dit wordt aanbevolen teneinde de levensduur van de batterij te verlengen)
	Uitgeschakeld	Schakelt over op overseining LANGZAAM 90 seconden na afloop van de manoeuvre (zie ook JP3) (Dit wordt aanbevolen wanneer de functies gebruikt worden zoals "refresh pauzeduur", "Sluit onmiddellijk weer na foto", etc.)
JP3	Ingeschakeld	Schakelt over op overseining LANGZAAM na afloop van de manoeuvre (Dit wordt aanbevolen teneinde de levensduur van de batterij te verlengen)
	Uitgeschakeld	Schakelt niet over op overseining LANGZAAM maar blijft altijd in de modus SNEL (Dit wordt aanbevolen op poorten zonder trillingen)

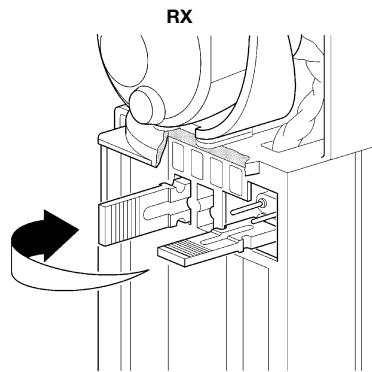
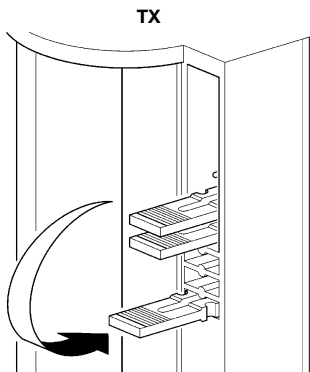
**Tabel 3: jumpers op de ontvanger RX**

Foto-inrichting	Uitgevoerde functies	Jumpers
<b>FT A</b> Hoofdoopening	<ul style="list-style-type: none"> <li>Activering van de contactlijst, zowel tijdens de openings-als sluitmanoeuvre veroorzaakt een korte omkering van de manoeuvre die onderbroken wordt</li> <li>Onderbreking van de infraroodstraal tijdens de sluitmanoeuvre veroorzaakt omkering van de manoeuvre; tijdens de openingsmanoeuvre heeft dit geen enkel gevolg</li> </ul>	
<b>FT B</b> secundaire opening	<ul style="list-style-type: none"> <li>Activering van de contactlijst, zowel tijdens de openings-als sluitmanoeuvre veroorzaakt een korte omkering van de manoeuvre die onderbroken wordt</li> <li>Onderbreking van de infraroodstraal tijdens de openingsmanoeuvre veroorzaakt omkering van de manoeuvre; tijdens de sluitmanoeuvre heeft dit geen enkel gevolg</li> </ul> <p><b>Let op! ZIE OPMERKING 1</b></p>	
<b>FT C</b> secundaire opening	<ul style="list-style-type: none"> <li>Activering van de contactlijst, zowel tijdens de openings-als sluitmanoeuvre veroorzaakt een korte omkering van de manoeuvre die onderbroken wordt</li> <li>Onderbreking van de infraroodstraal, zowel bij opening als sluiting, heeft een korte terugloop en onderbreking van de manoeuvre ten gevolge</li> </ul> <p><b>Let op! ZIE OPMERKING 2</b></p>	

**OPMERKING 1:** FTB kan ook gebruikt worden bij poorten met twee vleugels in de modus master-slave (zie afbeelding 6). In dit geval gedraagt FT B zich net zo als FT C: inwerkingtreding van de contactlijst of onderbreking van de infraroodstraal, zowel bij opening als sluiting, heeft een korte terugloop en onderbreking van de manoeuvre ten gevolge.

**OPMERKING 2:** FTC kan ook gebruikt worden bij poorten met één enkele vleugel (zie afbeeldingen 4 en 5) waarop 2 contactlijsten, voor en achter, worden aangebracht.

8. Leg de eventueel ongebruikte jumpers in het vakje daarvoor zodat u die later nog zou kunnen gebruiken (zie de afbeeldingen 18 en 19).

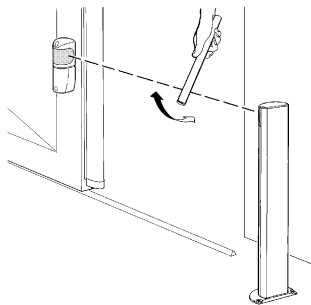


## 4) Eindtest

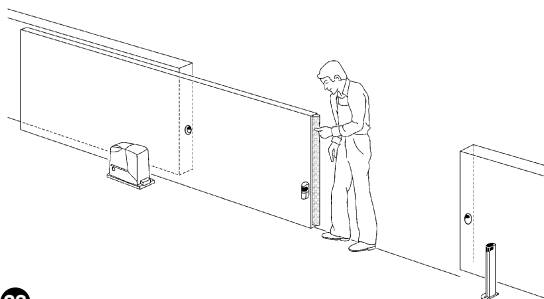
Elke afzonderlijke component van het automatisme vereist een specifieke eindtest. Voor de eindtest van "FT210B" dient u de volgende reeks handelingen te verrichten. Indien er 2 inrichtingen FT210B aanwezig zijn, (zie afbeeldingen 3 en 4), dienen de handeling voor beide inrichtingen uitgevoerd te worden.

**Let op:** op sommige punten zijn er controles vereist waarbij de poort in beweging is; aangezien de automatisering dan niet voldoende VEILIG ZOU KUNNEN ZIJN, dient u de grootste oplettendheid te betrachten bij het verrichten van deze controles.

1. Controleer dat alle voorschriften uit deze handleiding en met name die uit de hoofdstukken 1 "Aanbevelingen" en 3 "Installatie" nauwgezet in acht zijn genomen
2. Ongrendel de vleugel van de poort helemaal en open deze, waarbij u de TX zover mogelijk van de RX plaatst.
3. Verifieer dat er geen enkel obstakel tussen TX en RX is.
4. Indien reeds aangesloten, haalt u de ontvanger van "BlueBUS" los en haalt u de batterij uit de zender.
5. Haal de contactinrichting van de klemmetjes van de TX en meet met een ohmeter de waarde van de weerstand van deze inrichting; controleer of de waarde tussen  $7700\Omega$  en  $8700\Omega$  (nominaal  $8200\Omega$ ) ligt.
6. Druk op de contactlijst om die te activeren en meet opnieuw de waarde van de weerstand; controleer of de waarde lager dan  $1000\Omega$  of hoger dan  $16500\Omega$  is.
7. Sluit de contactinrichting weer op de klemmetjes van de TX aan
8. Sluit de zender weer op "BlueBUS" aan en voer in de besturingseenheid het herkennen van de "BlueBUS" aangesloten inrichtingen uit.
9. Verifieer dat de ledlampjes L1 (Ir Level) L2 (Fototest Ko) en L3 (Sensitive Device Ko) branden; verifieer dat het ledlampje L4 (Sensitive Device Ok) uit is (zie afbeelding 23).
10. Haal de jumper JP3 op de TX weg zodat deze altijd in de modus SNEL uitseint.
11. Als de afstand tussen TX en RX de 7m overschrijdt, dient u te controleren of de jumper JP1 op de TX ingeschakeld is (dus geprogrammeerd voor afstanden van maximaal 15m).
12. Breng de batterij FTA1 of FTA2 op de TX aan (zie afbeelding 29 of 30).
13. Controleer op de ontvanger RX of het ledlampje L1 (Ir Level) knippert; of de ledlampjes L2 (Fototest Ko) en L4 (Sensitive Device Ok) branden en het ledlampje L3 (Sensitive Device Ko) uit is.
14. Zo nodig kunt de uitlijning verbeteren door de lenzen op de TX en de RX te richten, zoals u kunt zien op afbeelding 18. Volg de signalering van het ledlampje L1 (Ir Level); hoe kleiner de snelheid is, hoe beter de uitlijning; optimale afstelling er is wanneer het ledlampje L1 langzaam knippert, ten hoogste 3 knipperingen per seconde.
15. Voer de test nogmaals uit waarbij u de het bovenste deel van het veiligheidsomhulsel zowel op de TX als op de RX aanbrengt. Let erop dat op het omhulsel van de RX een filter zit dat slechte weersomstandigheden die zich bij gebruik kunnen voordoen, nabootst.
16. Verplaats de poortvleugel over de gehele looplengte en controleer aan de hand van het knippen van het ledlampje L1 of de uitlijning nog steeds optimaal blijft.
17. Verifieer bij het controleren van FT210B of de optische detectie-eenheid (type D) correct werkt; ga met name na of er geen interferentie met andere inrichtingen optreedt; hiervoor beweegt u een cilinder met een doorsnede van 50mm op de optische as, eerst in de nabijheid van de TX, daarna in de nabijheid van de RX en tenslotte midden tussen die twee in (zie afbeelding 22). Controleer of in alle gevallen de inrichting in werking treedt door van de actieve staat op de alarmtoestand over te gaan (led L1 aan) en andersom;
18. Verifieer bij het controleren van FT210B of de contactinrichting PSPE correct werkt; druk op de contactlijst en laat die weer los zoals dat op afbeelding 23 te zien is en ga na of het ledlampje L4 uit gaat en het ledlampje L3 aan gaat en omgekeerd.
19. Als dit de gewenste programmering is, brengt u de jumper JP3 op de TX aan zodat enige seconden na afloop van de manoeuvre de overseining op de in de modus LANGZAAM overschakelt.
20. Indien de in het voorgaande punt beschreven handeling uitgevoerd is, dient u te controleren of na afloop van de voorziene tijd (zie JP2 in tabel 2) de zender op de modus LANGZAAM overschakelt. U herkent overseining in de modus LANGZAAM doordat het ledlampje L1 herhaaldelijk vier maal kort knippert gevolgd door een pauze.

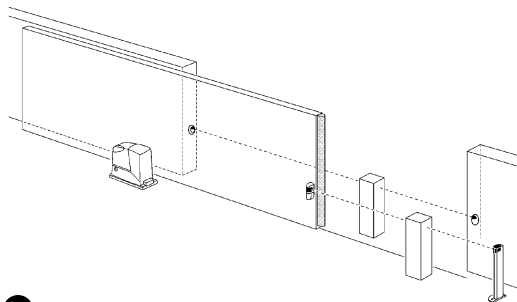


22

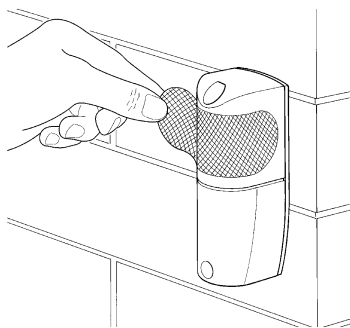


23

21. Haak de vleugel mechanisch aan de motor en voer een aangestuurde manoeuvre van de poort uit. Controleer intussen of bij het begin van de manoeuvre het ledlampje L2 dooft waarmee aangegeven wordt dat de test van de sensor die de trillingen van de bewegende poort meet, tot een goed einde is gekomen
22. Voer verschillende manoeuvres met de poort uit en controleer of de openings-en sluitmanoeuvre correct en zonder omkering van de manoeuvre plaats vinden.
23. Voer nog enkele manoeuvres uit en ga bij het sluiten (in geval van functie "FT A") of bij het openen (in geval van functie "FT B") of bij beide (in geval van functie "FT C"), met de optische obstakeldetector te werk zoals dat in punt 17 is aangegeven; controleer of dit de geplande reactie, zoals bijvoorbeeld een korte terugloop en onderbreking van de manoeuvre ten gevolge heeft.
24. Voer nog enkele manoeuvres uit en handel tijdens de sluitmanoeuvre op de contactlijst zoals dat op punt 18 is aangegeven; controleer of de voorziene handeling bijvoorbeeld omkering van de manoeuvre teweeg brengt.
25. Controle van de optische obstakeldetectie-inrichting (type D) van FT210 volgens de norm EN 12445; deze controle dient uitgevoerd te worden volgens de eisen uit hoofdstuk 7 van de norm EN 12445:2000 (of bijlage A in prEN12445:2005) met het testblok 700 x 300 x 200mm waarvan 3 vlakken mat zwart zijn en 3 glanzend wit of spiegellend, zoals te zien op afbeelding 24.
26. Controle van de contactinrichting PSPE van FT210B volgens de norm EN 12445; indien gevaarlijke situaties als gevolg van de beweging van de vleugel worden voorkomen door de stootkracht te beperken (type C), dient deze kracht volgens de voorschriften uit hoofdstuk 5 van de norm EN 12445 met het specifieke instrument op de voorziene punten gemeten te worden.
27. Nadat u alle voorgaande punten gecontroleerd hebt, haalt u het filter van de ontvanger RX, zoals dat aangegeven is op afbeelding 25.
28. Na afloop van de eindtest gelieve u eraan te denken alle kastjes van de verschillende inrichtingen te sluiten



24



25

## 5) Verdere details

In dit hoofdstuk zullen de mogelijkheden voor persoonlijke aanpassing, diagnostiek en opsporing van storingen op FT210B worden behandeld.

### 5.1) Voorbeeld waarbij FT210B alleen als obstakeldetector wordt toegepast

U kunt de FT210B als een eenvoudige obstakeldetectie-inrichting van het type D, dus zonder aansluiting op de contactlijst, gebruiken. In dit geval dient u als volgt te werk te gaan:

1. Verricht de montage zoals dat in de paragraaf "Installatie" behandeld is zonder de contactlijst aan te sluiten en de op de ingang van de TX aangesloten weerstand  $8200\Omega$  te laten voor wat die is.
2. Schakel de jumper "JP3" van de zender uit zodat er altijd in de modus SNEL wordt overgeseind
3. Invoeren de jumpers van de ontvanger op grond van het gebied van de poort waar u de FT210B wilt aanbrengen (afbeelding 3) en volgens de tabel 3

**N.B.:** Het SNEL overseinen vermindert de levensduur van de batterij van de zender. In dit geval wordt de levensduur van een batterij type "C" (kit FTA1) als volgt geschat:

- ongeveer 24 maanden voor poorten tot 7m (jumper JP1 van de TX uitgeschakeld)
- ongeveer 18 maanden voor poorten tot 7m (jumper JP1 van de TX uitgeschakeld)

## 5.2) Voorbeeld van toepassing van FT210B alleen als melder van de staat van de contactlijst

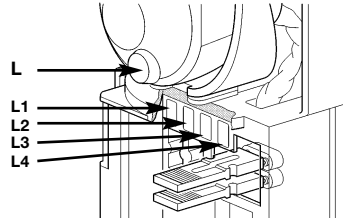
Indien FT210B alleen gebruikt wordt als melder van de staat van de contactlijst, zonder dus de functie van obstakeldetector, is het raadzaam de foto-inrichting te installeren zoals dat op afbeelding 5 en 6 te zien is.

In dit geval dient u als volgt te werk te gaan:

1. Monteer een en ander volgens de aanwijzingen in de paragraaf "Installatie".
2. Stel de jumpers op de TX op basis van wat u nodig hebt af; zie tabel 2.
3. Stel de jumper JPX op RX (zie tabel 3) precies zo in om de functie "FT B" of "FT C" zoals die op de afbeeldingen te zien zijn, te verkrijgen.

## 5.3) Signaleren

De ontvanger FT210B heeft enkele signaleringsledlampjes (zie afbeelding 26) die een visuele signalering geven van de bedrijfsstatus.



26

**Tabel 4: signaleringen**

Led L (rood)	Oorzaak	Handeling
2 korte knipperingen pauze 2 korte knipperingen	Signalering batterij op TX leeg	Vervang zo snel mogelijk de batterij op de zender met eentje van hetzelfde model
Led L1 (rood) IR Level	Oorzaak	Handeling
Knippert regelmatig	De frequentie van de knipperingen geeft aan hoe goed de ontvangst is: hoe langzamer het lampje knippert hoe beter is de ontvangst	Alles Ok als het lampje langzaam knippert: ten hoogste 3 per seconde, anders dient u de uitlijning tussen TX en RX te controleren
Aan	De ontvanger ontvangt geen enkel infrarood signaal van de TX	Verwijder het obstakel of stel de uitlijning tussen TX en RX bij
2 korte knipperingen pauze 2 korte knipperingen	Inrichting verkeerd geadresseerd	De foto-inrichting FT210B heeft een functie die niet toegestaan is. Stel de jumper van de ontvanger correct in, volgens tabel 3.
3 korte knipperingen pauze 3 korte knipperingen	Inrichting niet herkend door de besturings-eenheid	Voer nogmaals de herkenningsprocedure door de besturingsinrichting uit. Controleer of alle foto-inrichtingen FT210B verschillende functies hebben.
4 korte knipperingen pauze 4 korte knipperingen	De zender is in de modus LANGZAAM	Alles OK als de poort dicht is
5 korte knipperingen pauze 5 korte knipperingen	De ontvanger vangt een onherkenbare infrarood signaal op waardoor interferentie plaats vindt	Een vreemde zender zendt een signaal naar de ontvanger, probeer de interferentie weg te nemen; controleer de uitlijning van alle aanwezige inrichtingen
7 korte knipperingen pauze 7 korte knipperingen	De ontvanger vangt het infrarood signaal van een tweede zender FT210B op	Haal de tweede zender weg. Twee zenders FT210B mogen niet op het zelfde gebied geplaatst worden.
Led L2 (geel) Fototest KO	Oorzaak	Handeling
Aan	Signaleert fout in de test aan het begin van de manoeuvre en de zender is niet op de modus SNEL overgeschakeld	Waarschijnlijk functioneert de bewegingssensor niet goed
Uit	De test aan het begin van de laatste manoeuvre was normaal	Alles OK
Led L3 (rood) Sensitive Device KO	Oorzaak	Handeling
Aan	De op de zender aangesloten contactlijst wordt geactiveerd	Controleer de oorzaken van activering van de contactlijst
Uit	De op de zender aangesloten contactlijst wordt niet geactiveerd	Alles OK
Led L4 (groen) Sensitive Device OK	Oorzaak	Handeling
Aan	De op de zender aangesloten contactlijst wordt niet geactiveerd	Alles OK
Uit	De op de zender aangesloten contactlijst wordt geactiveerd	Controleer de oorzaken van activering van de contactlijst

### 5.3) Oplossen van problemen

In tabel 5 kunt u nuttige aanwijzingen vinden om om storingen te verhelpen die u tijdens de installatie of bij een eventueel defect tegen kunt komen.

**Tabel 5: opsporen van storingen**

Symptomen	Aanbevolen controles
De poort kan niet aangestuurd worden; alle ledlampjes op de ontvanger van FT210B zijn uit.	Controleer of de ontvanger correct op "BlueBUS" is aangesloten
De poort start een manoeuvre maar stopt na 1 seconde; het ledlampje 2 (geel) brandt	De test aan het begin van de manoeuvre is niet tot een goed einde gekomen of er kan een defect zijn in de bewegingssensor van de poort die in de TX is
Tijdens de manoeuvre stopt de poort of wordt de manoeuvre omgekeerd; het ledlampje L1 (rood) brandt ononderbroken	Controleer op eventuele obstakels en op de uitlijning tussen TX en RX over de gehele loop van de poort
Tijdens de manoeuvre stopt de poort of wordt de manoeuvre omgekeerd; het ledlampje L3 (rood) is aan en het ledlampje L4 (groen) is uit.	De contactlijst is in werking getreden. Verwijder het eventuele obstakel of controleer of de lijst correct functioneert
Zo af en toe stopt de poort tijdens de manoeuvre of wordt de manoeuvre omgekeerd; wanneer de poort open is, knippert het ledlampje L1 (rood) snel	Controleer de uitlijning tussen TX en RX over de gehele loop van de poort
Zo af en toe stopt de poort tijdens de manoeuvre of wordt de manoeuvre omgekeerd; soms raakt hij geheel geblokkeerd en kan hij niet meer aangestuurd worden; het ledlampje L (rood) geeft voortdurend 2 korte knipperingen	De batterij van de TX èis leeg en onder ongunstige omstandigheden vindt er geen communicatie tussen TX en RX plaats. Het ledlampje L (rood) knippert om aan te geven dat de batterij vervangen moet worden.

## 6) Onderhoud

FT210 vereist geen bijzonder onderhoud, maar tenminste eens per half jaar is het noodzakelijk een controle uit te voeren op de staat van de fotonrichting FT210B (aanwezigheid van vocht, roestvorming, etc.); bovendien moet dan de buitenkant van het kastje schoongemaakt worden en de eindtest zoals die in hoofdstuk 4 "Eindtest" beschreven is, uitgevoerd worden. FT210B is ontworpen om onder normale omstandigheden tenminste 10 jaar te functioneren; het is raadzaam na afloop van die periode de onderhoudsfrequentie op te voeren. Vervang de batterij van de zender als er onmiddellijk na een volledige manoeuvre (wanneer de transmissie nog in de modus SNEL plaats vindt), een spanning van minder dan 2,7V op de batterij gemeten wordt.

## 7) Afvalverwerking

Wanneer de levensduur van dit product ten einde is, dienen, zoals dit ook bij de installatiewerkzaamheden het geval is, de ontmantelingswerkzaamheden door gekwalificeerd personeel uitgevoerd te worden.

Dit product bestaat uit verschillende soorten materialen, waarvan sommige gerecycleerd kunnen worden. Win inlichtingen over de methoden van hergebruik of afvalverwerking in en houd u aan de plaatselijk van kracht zijnde voorschriften

**Let op!:** Sommige elektronische onderdelen zouden vervuilende of gevaarlijke stoffen kunnen bevatten; als die in het milieu terecht zouden komen zouden ze schadelijke gevolgen voor het milieu en de menselijke gezondheid kunnen veroorzaken

Zoals u kunt zien aan het symbool op afbeelding 27 is het verboden dit product met het gewone huisvuil weg te gooien. Scheid uw afval voor verwerking op een manier zoals die in de plaatselijke regelgeving voorzien is; of lever het product bij uw leverancier in wanneer u een nieuw gelijksoortig product koopt.

De plaatselijke regelgeving kan in zware straffen voorzien in geval van illegale dumping van dit product.

**LET OP!:** het product werkt op batterijen die vervuilende stoffen zouden kunnen bevatten en die dus niet met het gewone afval weggegooid mogen worden. Nadat u ze uit het product gehaald hebt (zie de paragraaf "Vervanging van de batterijen" in het hoofdstuk "Aanwijzingen en aanbevelingen voor de gebruiker van FT210B") dient u deze te verwerken op een manier zoals dat in de plaatselijke regelgeving voor batterijen voorzien is.

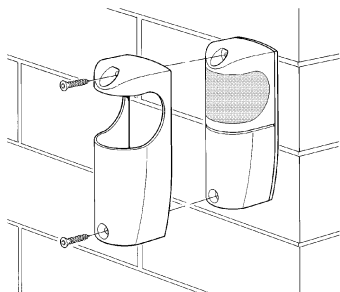




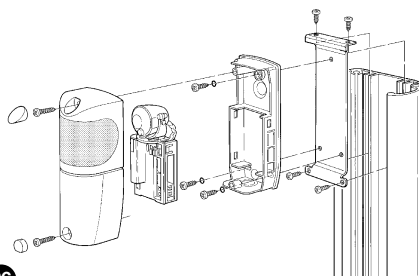
## 8) Accessoires

Onderstaande accessoires zijn leverbaar:

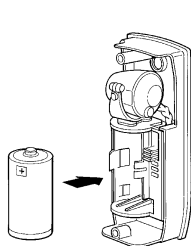
- FA1: metalen vandalismebestendige box, te monteren zoals op afbeelding 28 te zien is
- FA2: bevestigingsbeugel op zultjes "MOCF", te monteren zoals op afbeelding 29 te zien is
- FTA1: batterij 3,6V; 7Ah type C, te monteren zoals op afbeelding 30 te zien is
- FTA2: batterij 3,6V; 2Ah type AA, te monteren zoals op afbeelding 31 te zien is



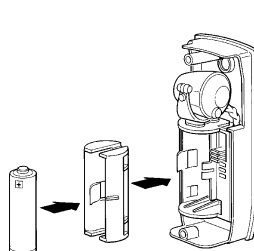
25



26



27



28

## 9) Technische gegevens

Teneinde haar producten steeds meer te vervolmaken behoudt NICE S.p.a. zich het recht voor op elk gewenst moment en zonder voorbericht wijzigingen in haar producten aan te brengen, waarbij functionaliteit en gebruiksdoel echter gehandhaafd blijven.

N.B.: alle technische gegevens hebben betrekking op een temperatuur van 20°C.

Technische gegevens FT210B	
Typologie	Inrichting voor optische transmissie van de status van een contactlijst van het type met constante weerstand op bewegende delen; bestaande uit een zender met infrarood stralen (TX) die van stroom wordt voorzien door een batterij en die zich op de bewegende vleugel bevindt waaraan de contactlijst gekoppeld wordt, en uit een ontvanger (RX) op het vaste deel
Toegepaste technologie	Transmissie door rechtstreekse optische interpolatie TX-RX met gemoduleerde en gecodeerde infrarood straal.
Stroomvoorziening ontvanger	De inrichting kan alleen op een "BlueBus"-net aangesloten worden waarover ze van elektrische stroom voorzien wordt en ze uitgangssignalen verzendt.
Opgenomen vermogen ontvanger	0,5 eenheden Blue bus
Stroomvoorziening zender	3,6V con lithiumbatterijen type C of AA
Levensduur batterij zender (met JP3 ingeschakeld)	Geschat op circa ruim 15 jaar met batterij type C, capaciteit 7Ah; (gebruik "woonomgeving": afstand TX-RX ten hoogste 7m; bij 20 manoeuvres per dag met een duur van 90s) Geschat op circa 5,5 jaar met batterij type C, capaciteit 7Ah; (gebruik "industriële omgeving": afstand TX-RX ten hoogste 15m; bij 200 manoeuvres per dag met een duur van 90s) Geschat op circa 6 jaar met batterij type AA, capaciteit 2Ah; (gebruik "woon-omgeving": afstand TX-RX ten hoogste 7m; bij 20 manoeuvres per dag met een duur van 90s)
Gamma van de ingang van de contact-inrichting (Rs)	Typisch 8,2K $\Omega$ ; +22%/-65% in geactiveerde status (On) Grenswaarden geactiveerde status (On): met Rs > 2.870 en Rs < 10.010. Grenswaarden gedeactiveerde status (Off): met Rs < 2.590. of Rs > 11.060.
Waarnemingsvermogen van de obstakeldetectie-inrichting type D	Ondoorzichtige voorwerpen op de optische as tussen TX-RX die groter dan 50mm zijn en een sneheid van minder dan 1,6m/s hebben
Zendhoek TX	+/- 4° (gemeten waarde op 50% van het bereik)
Ontvanghoek RX	+/- 3° (gemeten waarde op 50% van het bereik)
Richtbaarheid	circa 210° op de horizontale as en 30° op de verticale as
Nuttig bereik	7m of 15m (met JP1 op TX ingeschakeld) met asafwijking TX-RX van maximaal $\pm 2^\circ$ (Het bereik zou verder kunnen afnemen in geval van bijzonder hevige klimaatsomstandigheden zoals mist, regen, sneeuw, stof, etc.)
Maximaal bereik (onder optimale omstandigheden)	15m of 30m (met JP1 op TX ingeschakeld) met asafwijking TX-RX van maximaal $\pm 2^\circ$
Reactietijd van de obstakeldetectie-inrichting	< 96ms (typisch 65ms) met 1 stel fotocellen MOFB aangesloten samen met FT210B
Reactietijd activering contactlijst	< 64ms (typisch 50ms)
Bestendigheidscategorie defecten	3 (volgens de norm EN 954-1)
Gebruik in zure, zoute of potentieel explosieve atmosfeer	Nee
Montage	RX: verticaal op de wand van zultje "MOCF" met bevestigingsbeugel "FA2" TX: rechtstreeks op de poort met meegeleverde schroeven.
Beveiligingsklasse box	IP44
Bedrijfstemperatuur	-20 ÷ 55°C
Afmetingen	46 x 128 h 45mm
Gewicht	Ontvanger: 135g. Zender 165g met FTA1 of 140g met FTA2



Deze aanwijzingen kunnen de "Aanwijzingen en aanbevelingen voor het gebruik van de automatisering" aanvullen die de installateur aan de eigenaar van de automatisering moet overhandigen en moeten in ieder geval met die aanwijzingen aangevuld worden.

- **Onderhoud:** Zoals elke machine heeft uw installatie periodiek onderhoud nodig om haar zo lang mogelijk en geheel veilig te laten werken. Stel met uw installateur een onderhoudsplan met periodieke frequentie op; ice raadt bij normaal gebruik bij een woning een onderhoudsbezoek om het half jaar aan, maar dit tijdsbestek kan variëren in functie van een meer of minder intensief gebruik. Alle controle-, onderhouds- of reparatiewerkzaamheden mogen uitsluitend door gekwalificeerd personeel worden uitgevoerd.
- Ook al bent u van mening dit te kunnen doen, breng geen wijzigingen aan de installatie en de programmerings- en afstellingsparameters van uw automatiseringsinstallatie aan: uw installateur is aansprakelijk.
- De eindtest, de periodieke onderhoudswerkzaamheden en de eventuele reparatiewerkzaamheden dienen gedocumenteerd te worden door wie die uitvoert en de documenten dienen door de eigenaar van de installatie bewaard te worden.
- De enige werkzaamheden die de gebruiker regelmatig kan en moet uitvoeren zijn het reinigen van de glasjes van de fotocellen en het verwijderen van bladeren en stenen die het automatisme in diens werking kunnen belemmeren. Om te voorkomen dat iemand de poort in beweging kan brengen dient u eraan te denken voordat u dit gaat doen het automatisme (zoals verderop beschreven) te ontgrendelen en voor het schoonmaken alleen een enigszins vochtige doek te gebruiken.
- Afvalverwerking: Als de automatisering niet meer gebruikt kan worden, dient u zich ervan te vergewissen dat de sloop daarvan door gekwalificeerd personeel wordt uitgevoerd en dat het materiaal volgens de plaatselijke geldende voorschriften wordt hergebruikt of naar de afvalverwerking wordt gezonden.

- **Vervangen van de batterij** van de zender van FT210B  
De zender, die zich op de bewegende vleugel van de poort bevindt, beschikt over een speciale lithiumbatterij van 3,6V. De levensduur hiervan wordt op meerdere jaren geschat; dit hangt van de gebruiksomstandigheden af. Er is in een signalering voorzien die enkele maanden voordat de batterij hele-

maal leeg is aangeeft dat het tijd wordt deze te vervangen; u hebt hier dan ruim de tijd voor.

Het moment om de batterij te wisselen is gekomen wanneer u op de **ontvanger** die zich in het vaste deel bevindt (aan de wand zoals op afbeelding A te zien is of op het zultijte volgens afbeelding B) de volgende signalering ziet: **2 korte knippen gevolgd door een pauze van 1 seconde.**

De batterij bevindt zich in de **zender** op de poortvleugel; om deze te vervangen gaat u als volgt te werk:

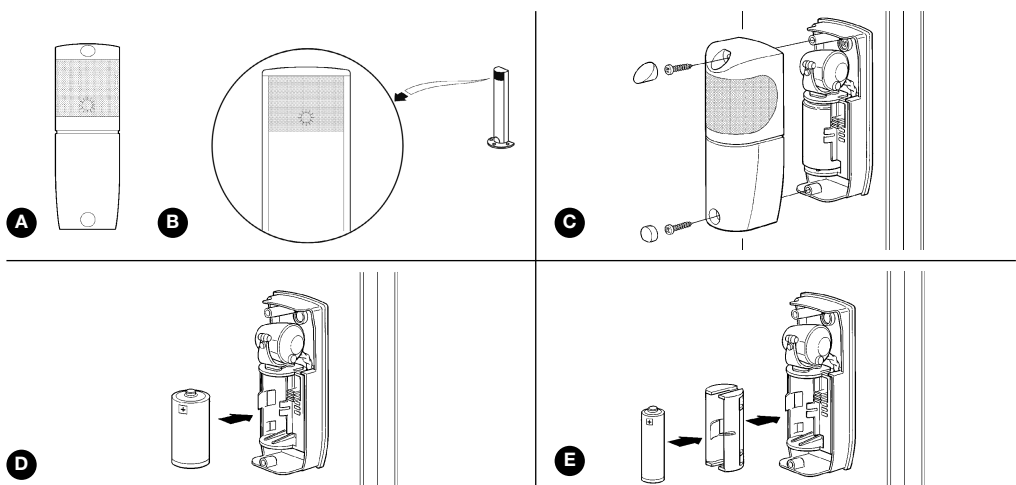
- 1) Verwijder de dopjes die de schroeven afdekken zoals dat op afbeelding C te zien is
- 2) Draai de schroeven los die de dekplaat vasthouden en verwijder dat zoals op afbeelding C te zien is
- 3) Verwijder de lege batterij met behulp van een schroevendraaier
- 4) Wacht ongeveer 10 seconden voordat u een nieuwe batterij gaat inzetten
- 5) Let goed op de polariteit: de plus bevindt zich naar boven
- 6) Breng de nieuwe batterij aan zoals u dat op afbeelding D of E kunt zien, op basis van het gebruikte model
- 7) Bevestig de dekplaat met de schroeven en breng de dopjes aan

**Let op!** het product werkt op batterijen die vervuilde stoffen zouden kunnen bevatten en die dus niet met het gewone afval weggegooid mogen worden. Nadat u ze uit het product gehaald hebt (zie de paragraaf "Vervanging van de batterijen" in het hoofdstuk "Aanwijzingen en aanbevelingen voor de gebruiker van FT210B") dient u deze te verwerken op een manier zoals dat in de plaatselijke regelgeving voor batterijen voorzien is.



- Er zijn 2 soorten batterijen beschikbaar:
- FTA1: batterij 3,6V; 7Ah type C, te monteren zoals op afbeelding D te zien is
  - FTA2: batterij 3,6V; 2Ah type AA, te monteren zoals op afbeelding E te zien is

**Caution: batteries used in this product are not normal alkaline versions.**  
**Contact Nice s.p.a. to request the spare battery kits "FTA1" or "FTA2".**





# Dichiarazione CE di conformità / EC Declaration of conformity

(Secondo la Direttiva 89/336/CEE) / (According to Directive 89/336/EEC)

**Numero / Number:** 221/FT210

**Revisione / Revision:** 1

**Nota:** il contenuto di questa dichiarazione di conformità corrisponde all'ultima revisione aggiornata alla data di edizione del presente documento; eventualmente riadattato per motivi editoriali. La versione integrale ed aggiornata della presente dichiarazione è depositata presso la sede di Nice S.p.a.

**Note:** *The content of the present declaration corresponds to the latest available revision, - before the printing of the present manual, - of the document registered at the head offices of Nice S.p.a. The original text of this manual has been readapted for publishing reasons.*

**Il sottoscritto Lauro Buoro, Amministratore Delegato, dichiara che il prodotto:  
The undersigned Lauro Buoro, General Manager, declares that the product:**

**Nome produttore / Name of product:**

NICE S.p.a.

**Indirizzo / Address:**

Via Pezza Alta 13, 31046 Z.I. Rustignè - ODERZO - ITALY

**Tipo / Type:**

Fotodispositivo orientabile / *Adjustable optical device*

**Modello / Model**

FT210B

**Accessori / Accessories:**

Box metallico antivandalico FA1, Kit batteria FTA1, Kit batteria FTA2

*Antivandal metallic box, battery kit FTA1, battery kit FTA2*

**Risulta conforme a quanto previsto dalle seguenti direttive comunitarie, così come modificate dalla Direttiva 93/68/CEE del consiglio del 22 Luglio 1993:**

**Complies with the following community directives, as modified from Directive 93/68/EEC of the Council of the 22 July 1993.**

89/336/CEE: Direttiva 89/336/CEE del Consiglio del 3 maggio 1989 per il riavvicinamento delle legislazioni degli Stati membri relative alla compatibilità elettromagnetica.

89/336/CEE: *(Council Directive of 3 May 1989 on the approximation of the laws of the Member States relating to Electromagnetic Compatibility).*

Secondo le seguenti norme: EN 61000-6-2:2001; EN 61000-6-3:2001+A1:2004

*Complies with the following standards: EN 61000-6-2:2001; EN 61000-6-3:2001+A1:2004*

Inoltre soddisfa totalmente o parzialmente per le parti applicabili, i requisiti delle seguenti norme:

EN 13241-1:2004, EN 12453:2002, EN 12445:2002, EN 12978:2005, EN 61496-1:2004, IEC EN 61496-2:1997

*Also satisfies totally or partially for the applicable parts, the requirements of the following standards:*

EN 13241-1:2004, EN 12453:2002, EN 12445:2002, EN 12978:2005, EN 61496-1:2004, IEC EN 61496-2:1997

Oderzo, 11 Aprile 2006

  
Lauro Buoro  
(Amministratore Delegato)  
(Managing Director)







COMPANY  
WITH QUALITY SYSTEM  
CERTIFIED BY DNV  
=ISO 9001/2000=

#### Headquarter

##### Nice SpA

Oderzo TV Italia  
Tel. +39.0422.85.38.38  
Fax +39.0422.85.35.85  
info@niceforyou.com

##### Nice in Italy

##### Nice Padova

Sarmeola di Rubano PD Italia  
Tel. +39.049.89.78.93.2  
Fax +39.049.89.73.85.2  
infopd@niceforyou.com

##### Nice Roma

Roma Italia  
Tel. +39.06.72.67.17.61  
Fax +39.06.72.67.55.20  
inforoma@niceforyou.com

#### Nice worldwide

##### Nice France

Buchelay  
Tel. +33.(0)1.30.33.95.95  
Fax +33.(0)1.30.33.95.96  
info@fr.niceforyou.com

##### Nice Rhône-Alpes

Decines Charpieu France  
Tel. +33.(0)4.78.26.56.53  
Fax +33.(0)4.78.26.57.53  
infoyon@fr.niceforyou.com

##### Nice France Sud

Aubagne France  
Tel. +33.(0)4.42.62.42.52  
Fax +33.(0)4.42.62.42.50  
infomarseille@fr.niceforyou.com

##### Nice Belgium

Leuven (Heverlee)  
Tel. +32.(0)16.38.69.00  
Fax +32.(0)16.38.69.01  
info@be.niceforyou.com

##### Nice España Madrid

Tel. +34.9.16.16.33.00  
Fax +34.9.16.16.30.10  
info@es.niceforyou.com

##### Nice España Barcelona

Tel. +34.9.35.88.34.32  
Fax +34.9.35.88.42.49  
info@es.niceforyou.com

##### Nice Polska

Pruszków  
Tel. +48.22.728.33.22  
Fax +48.22.728.25.10  
info@pl.niceforyou.com

##### Nice UK

Chesterfield  
Tel. +44.87.07.55.30.10  
Fax +44.87.07.55.30.11  
info@uk.niceforyou.com

##### Nice Romania

Cluj Napoca  
Tel/Fax +40.264.45.31.27  
info@ro.niceforyou.com

##### Nice Deutschland

Gelnhausen-Hailer  
Tel. +49.60.51.91.52-0  
Fax +49.60.51.91.52-119  
info@de.niceforyou.com

##### Nice China

Shanghai  
Tel. +86.21.575.701.46  
+86.21.575.701.45  
Fax +86.21.575.701.44  
info@cn.niceforyou.com

##### Nice USA Inc.

Jacksonville, Fl.  
Tel. +001.904.786.7133  
Fax +001.904.786.7640  
info@us.niceforyou.com