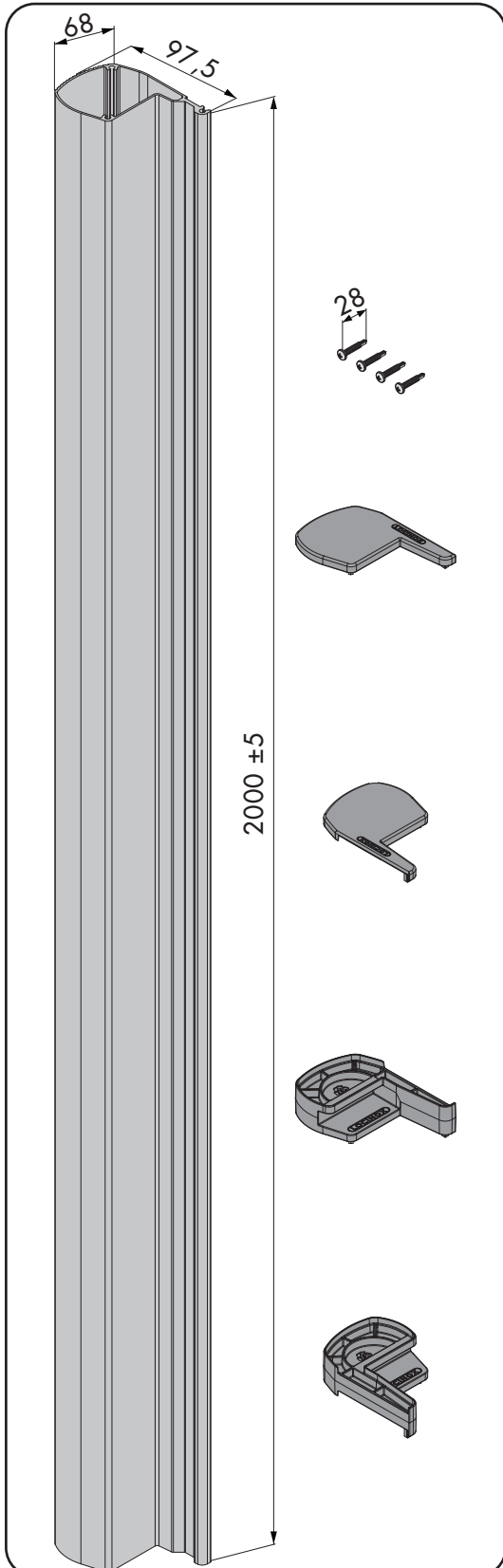


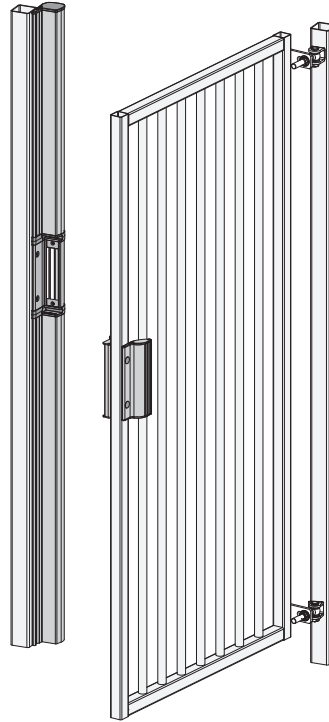
## N-LINE-MAG-3000

### ① Dimensions

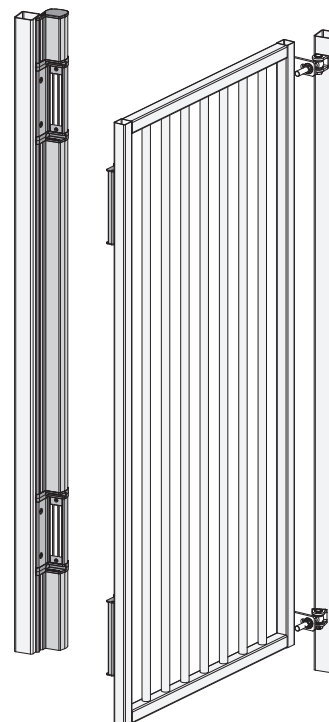


### ② Mounting situations

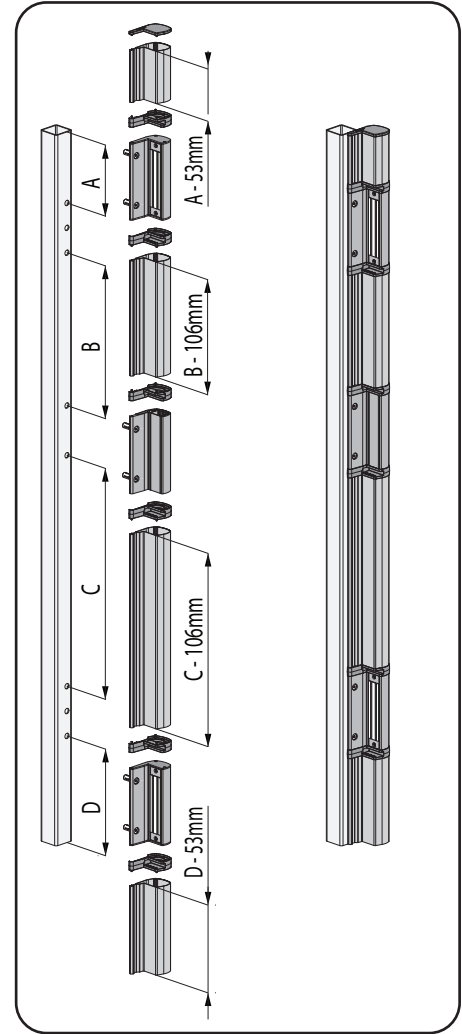
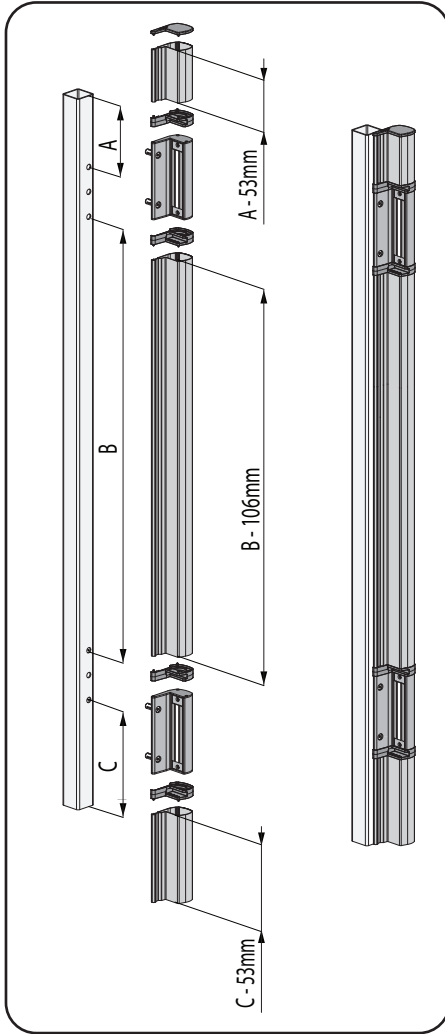
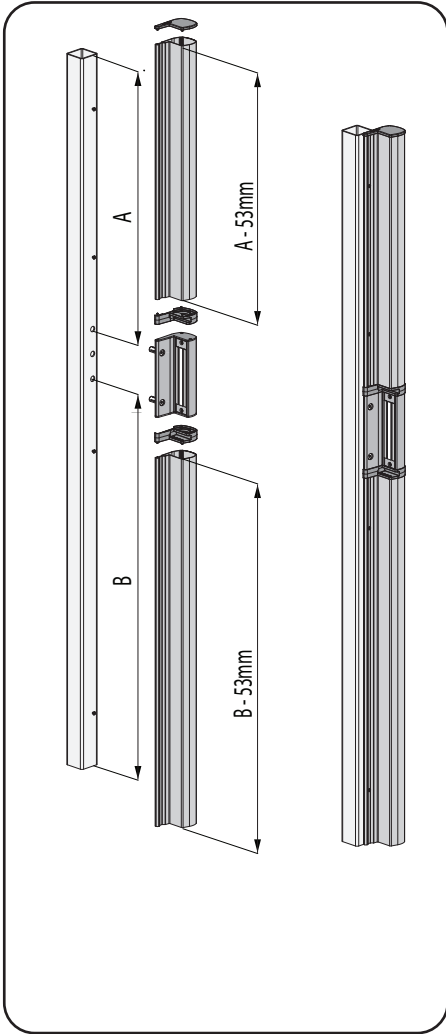
N-LINE-MAG-3000 & MAG3000  
300 kg (3000N) situation



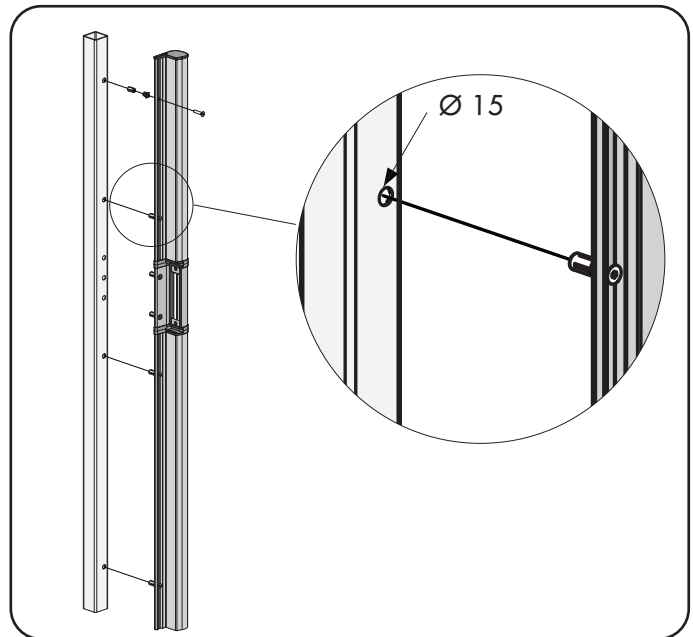
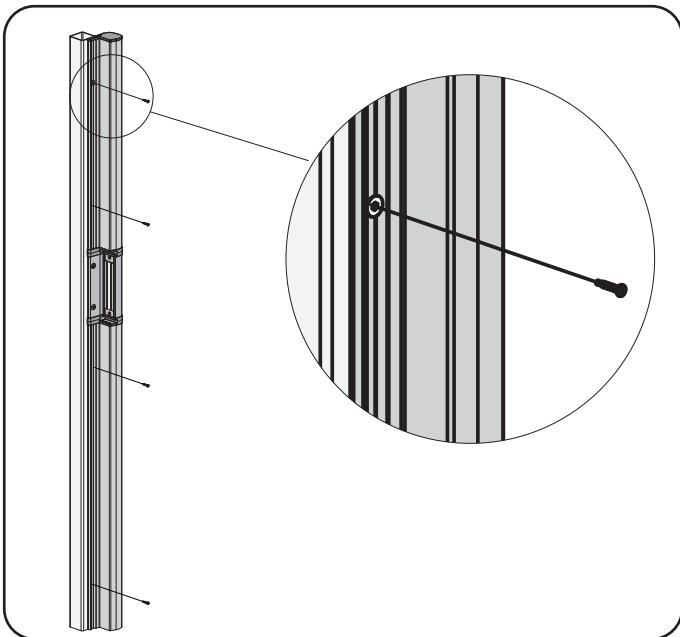
N-LINE-MAG-3000 & 2x MAGMAG3000  
600 kg (6000N) situation



③ Profile preparation



④ Fixation



**LOCINOX** Doc. Nr.: **MANU-000433**  
 Let's make it better together  
 Locinox nv • Mannebeekstraat 21 • B-8790 Waregem • Belgium - Europe  
 Tel. +32 (0)56 77 27 66 • Fax. +32 (0)56 77 69 26 • E-mail: locinox@locinox.com



M A N U - 0 0 0 4 3 3