



VIDEO MANUAL

TWIN DRIVE / TWIN DRIVE PLUS ASSEMBLY MANUAL



PATENT no. 308673 ; 008878722-0001



TWIN DRIVE 6.0 = 15 kg
TWIN DRIVE 3.0 = 7,8 kg

TWIN DRIVE PLUS 6.0 = 17 kg
TWIN DRIVE PLUS 3.0 = 8,8 kg

TWIN DRIVE 6.0

BI-FOLDING DOUBLE LEAF
SWING GATE HARDWARE
SPACE-SAVING FEATURE
MAX. 3.0 m SINGLE LEAF
SINGLE LEAF MAX. 110 kg
HEIGHT MAX. 1,6 m
CENTRAL HINGES INCLUDED

CODE: 1710901

TWIN DRIVE 3.0

BI-FOLDING SINGLE LEAF
SWING GATE HARDWARE
SPACE-SAVING FEATURE
MAX. 3.0 m SINGLE LEAF
SINGLE LEAF MAX. 110 kg
HEIGHT MAX. 1,6 m
CENTRAL HINGES INCLUDED

CODE: 1710902



NO WELDING
REQUIRED



SPACE SAVING
FEATURE
- 50% OF BACK SPACE



EASY
ASSEMBLY



FAST
NO WELDING
REQUIRED



EASY TELESCOPIC
ADJUSTMENT



SUITABLE FOR
OFFSET LEAFS
100% + 50%



SUITABLE FOR
ALL STANDARD HINGES
WITH A SINGLE AXLE



WIND RESISTANCE
MAX. 50%
LEAF CLOSURE



SUITABLE FOR
ALL STANDARD
AUTOMATIC
GATE OPERATORS



- 37°C
TESTED & PROVEN



+ 50°C
TESTED & PROVEN



TRACKLESS
BI-FOLDING



COMPACT
PACKAGE



EASY
TRANSPORT



FOR RESIDENTIAL
USE ONLY



TAKE
AWAY



HIGH QUALITY
GUARANTEED



CAIS
INNOVATION



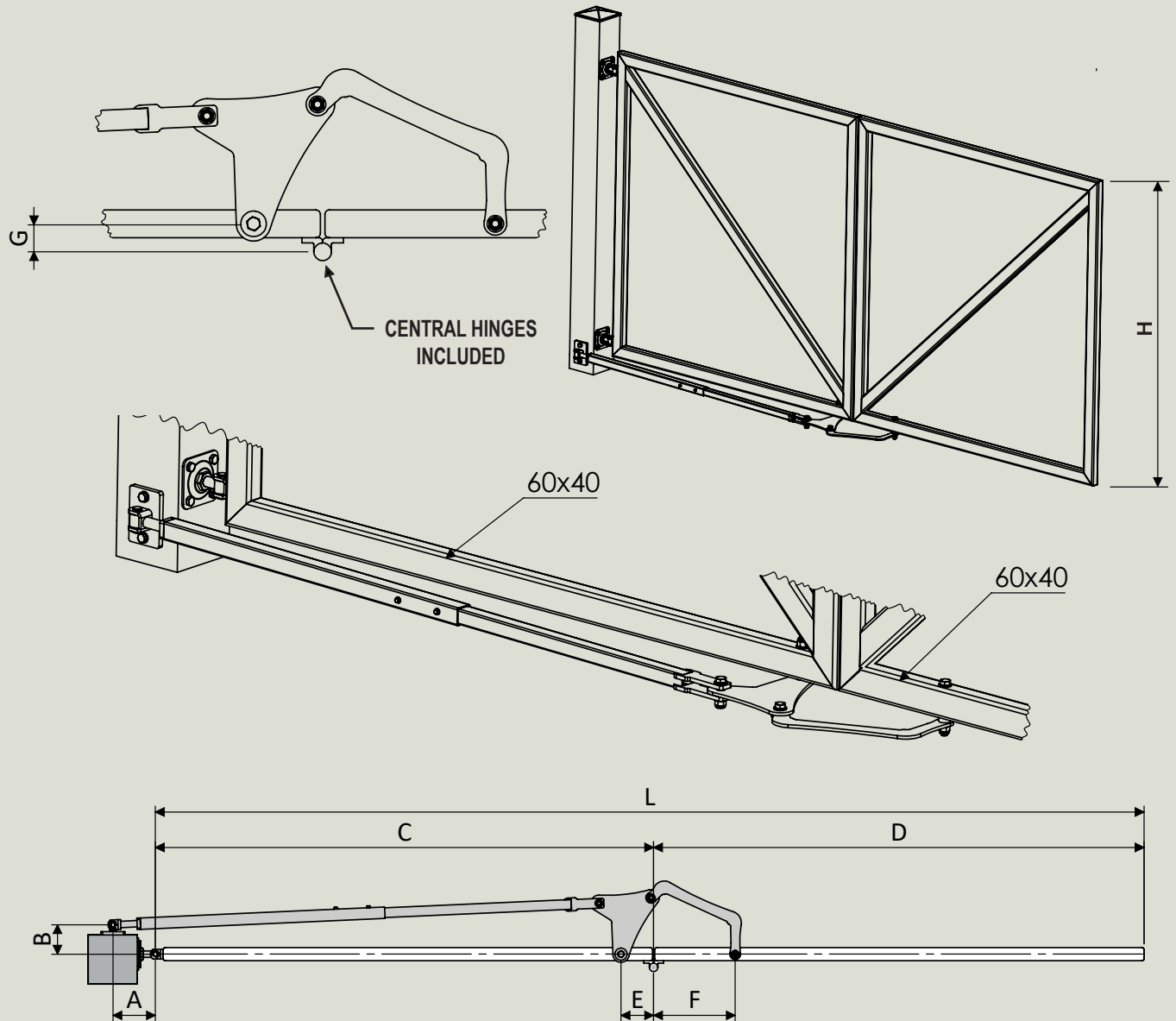
90° MAX. ANGLE

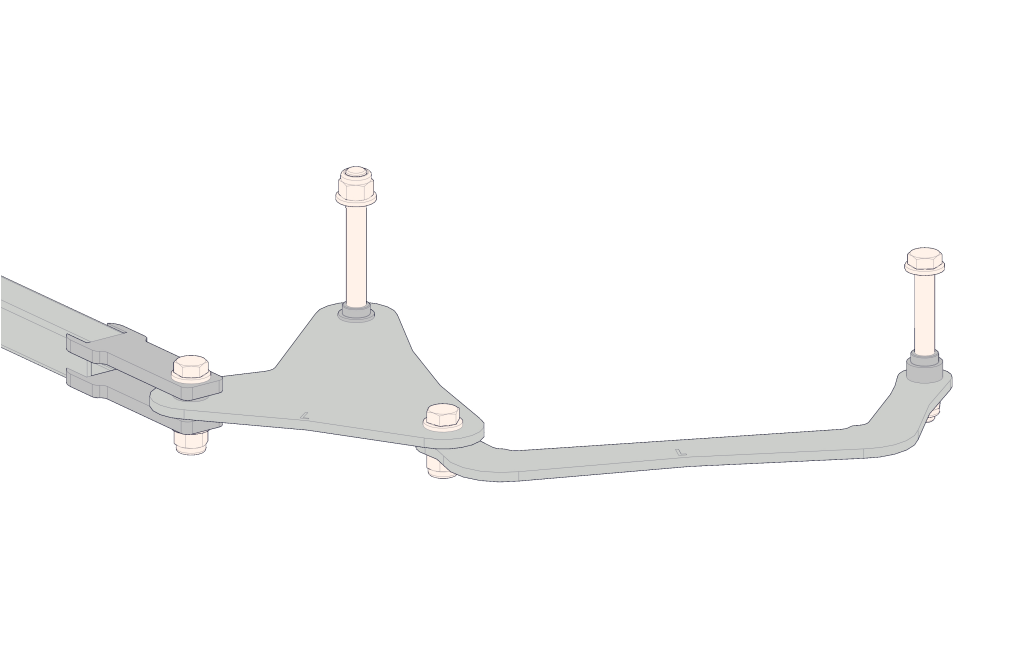
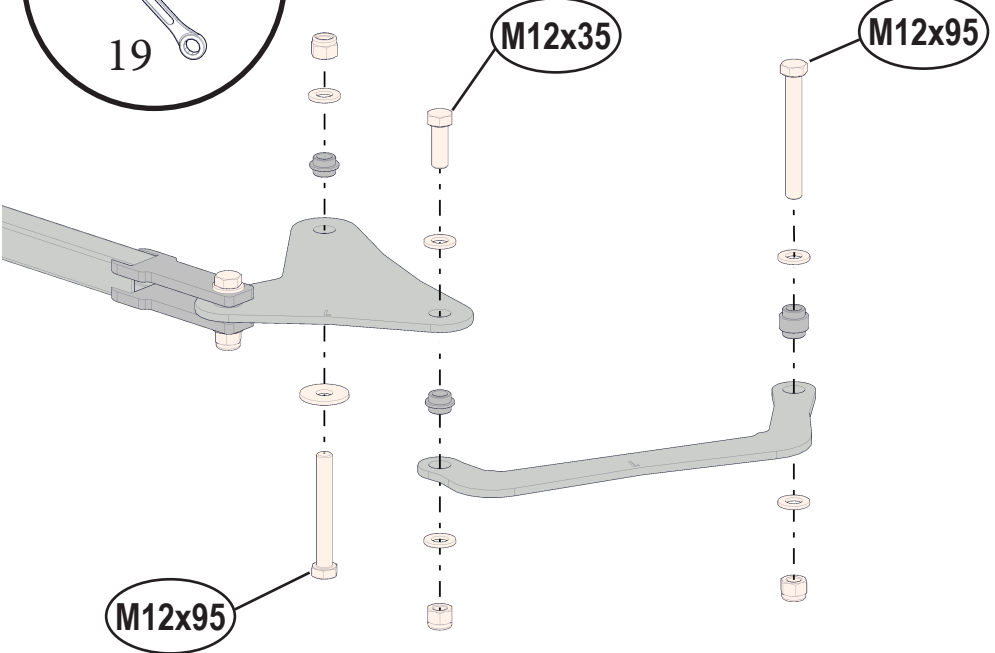
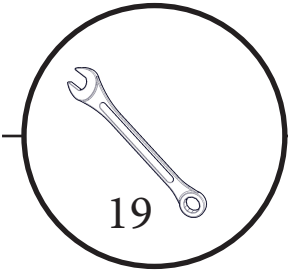
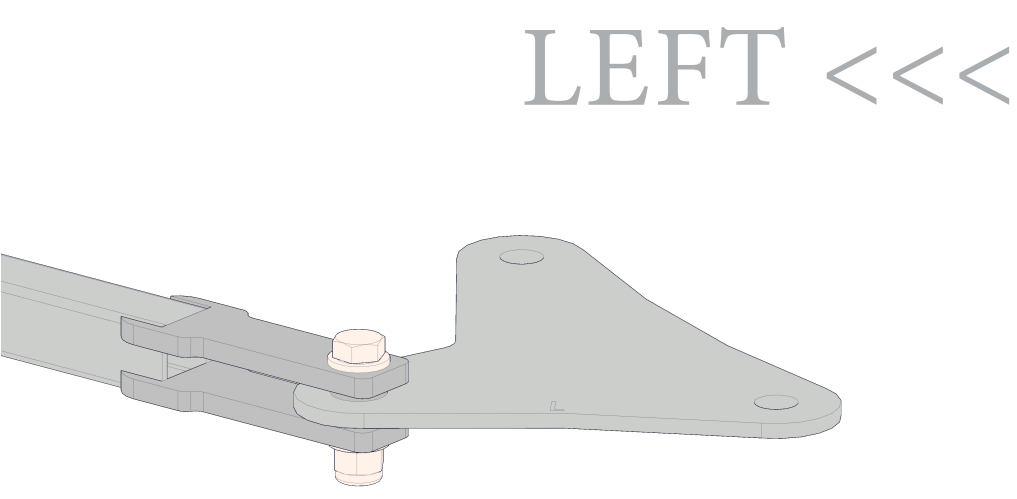
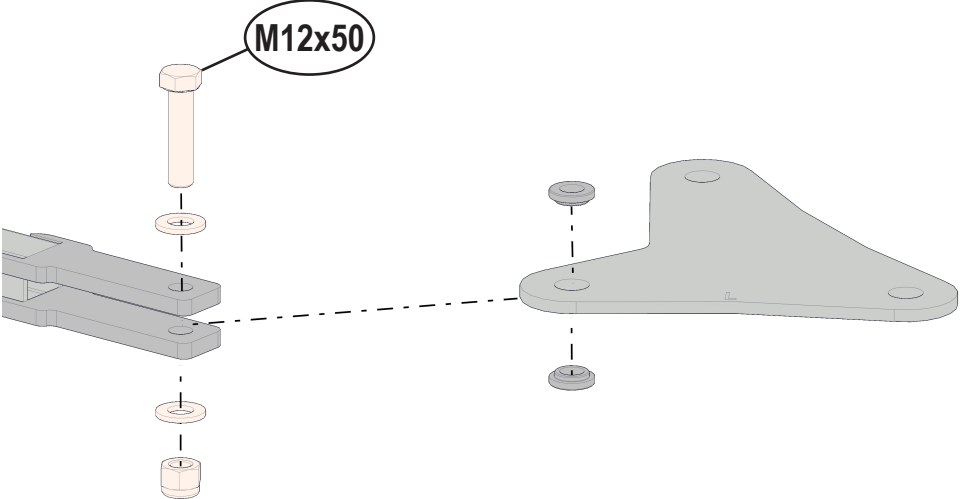


BOTTOM FIXED LEAF
SAFETY FEATURE

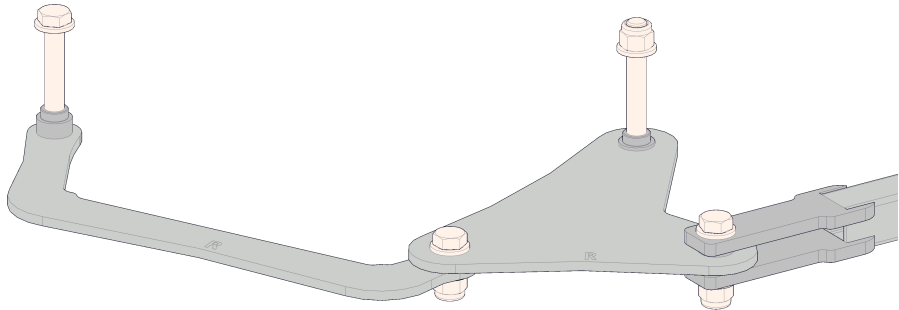
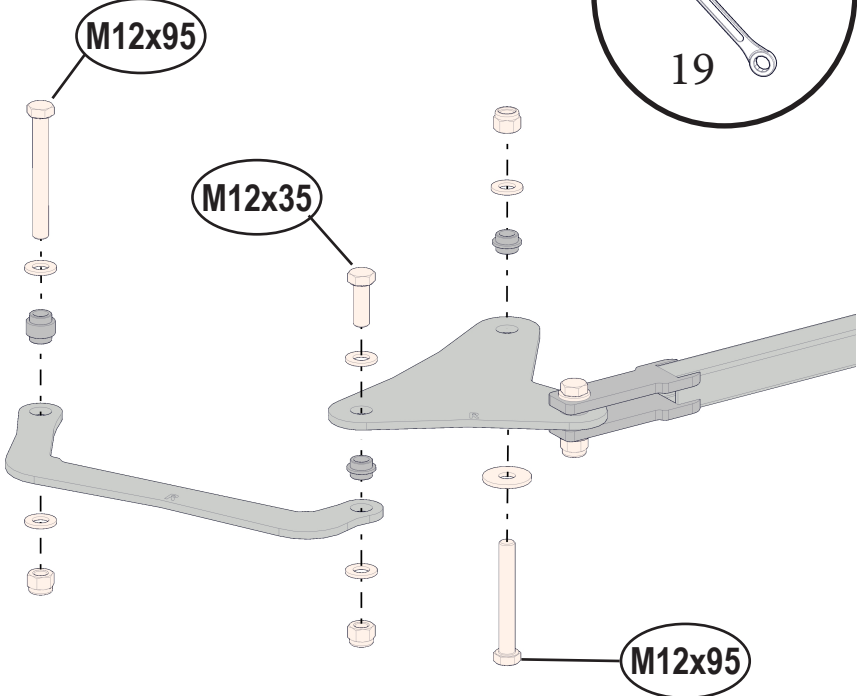
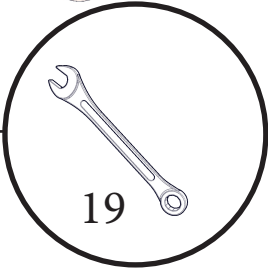
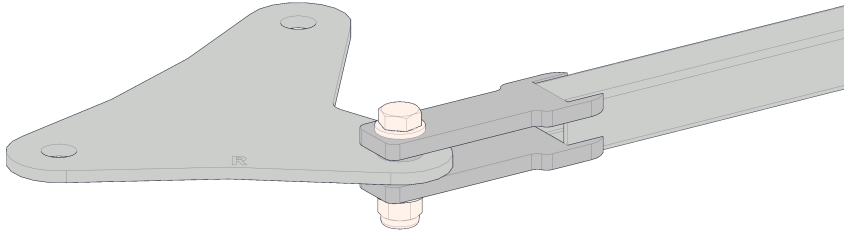
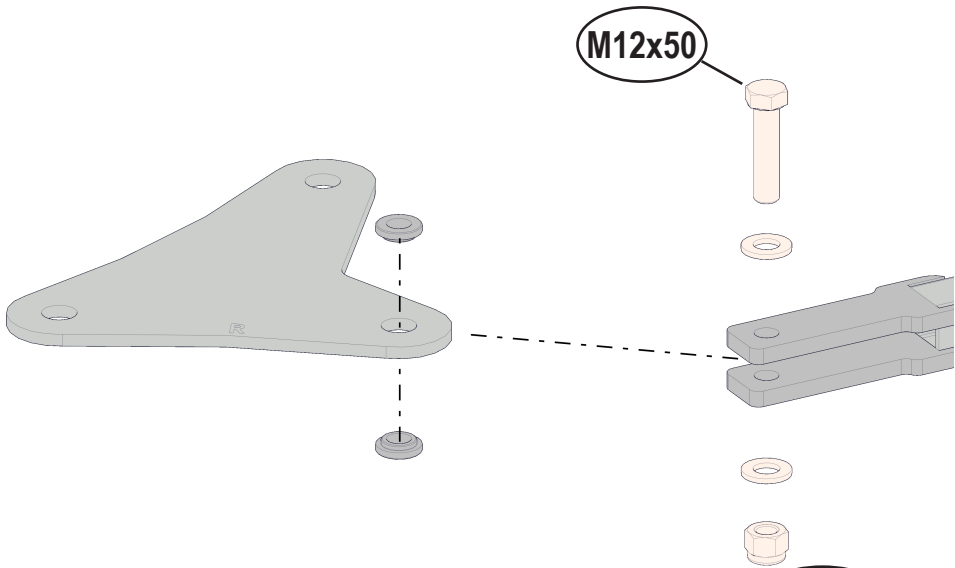
L max.	A	B	C min. / max	D min. / max.	E	F	G	H	SINGLE LEAF max.
3000	130	90	1000-1500	300 - 1500	100	250	40	1600	110
									kg

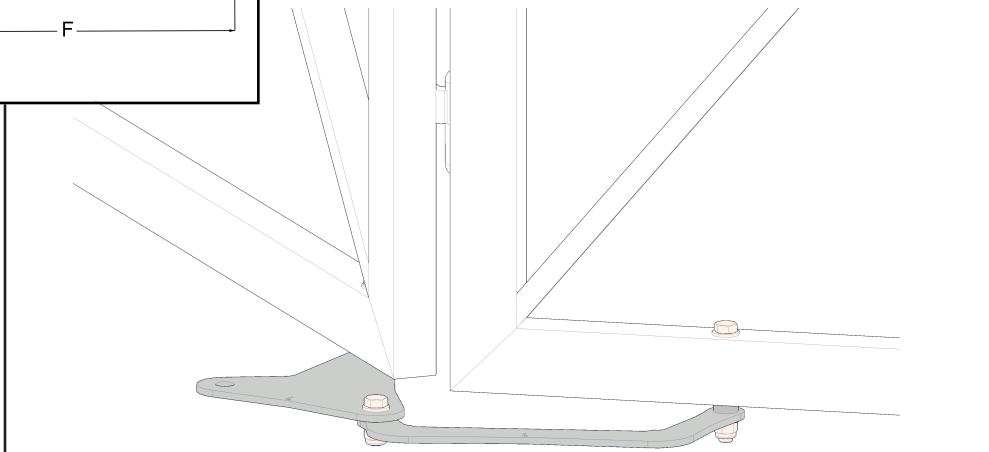
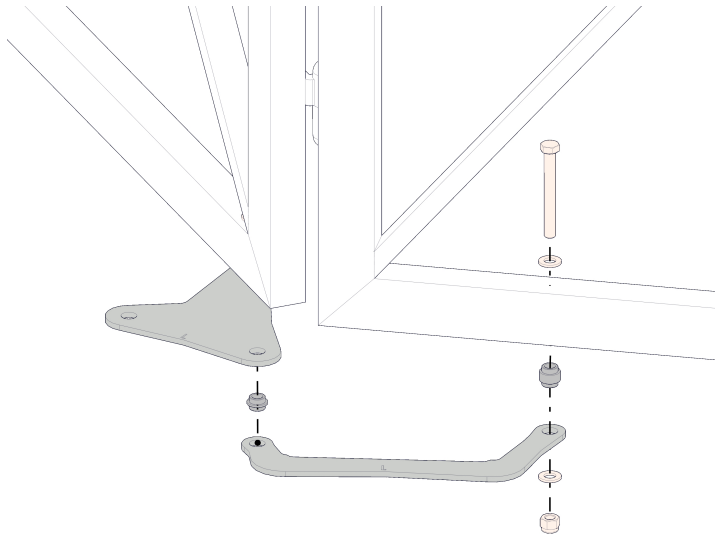
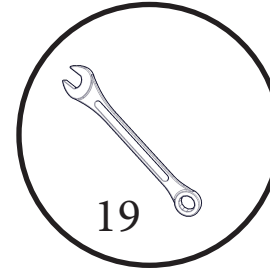
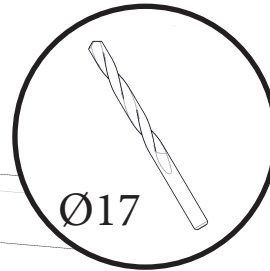
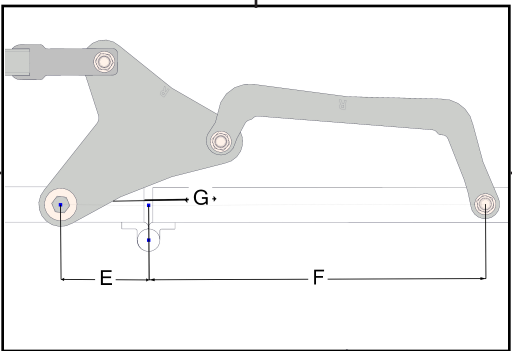
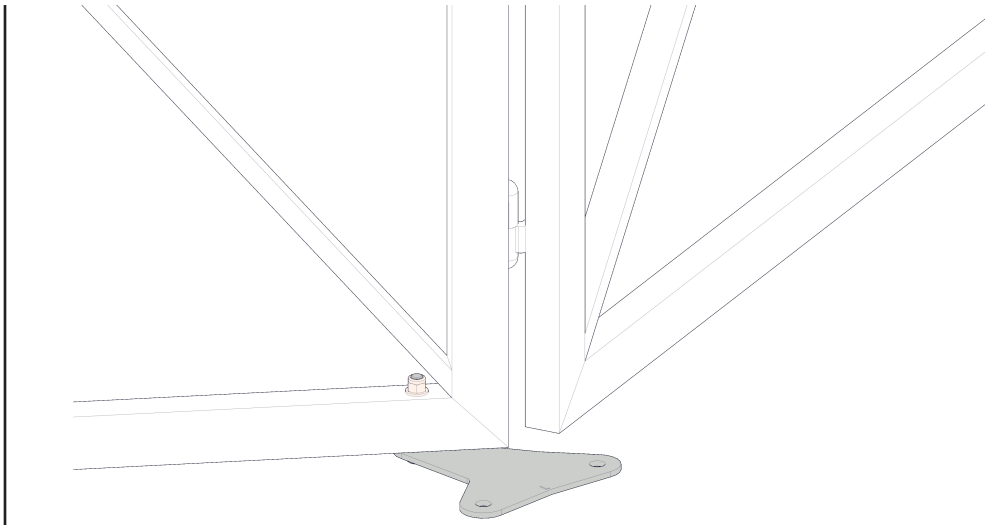
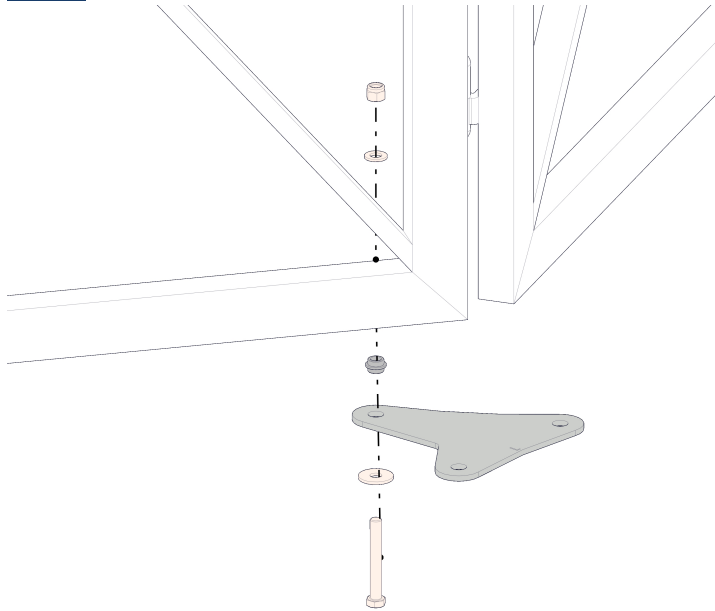
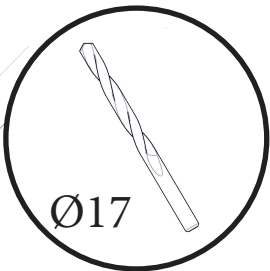
Valid for gate frame 60x40

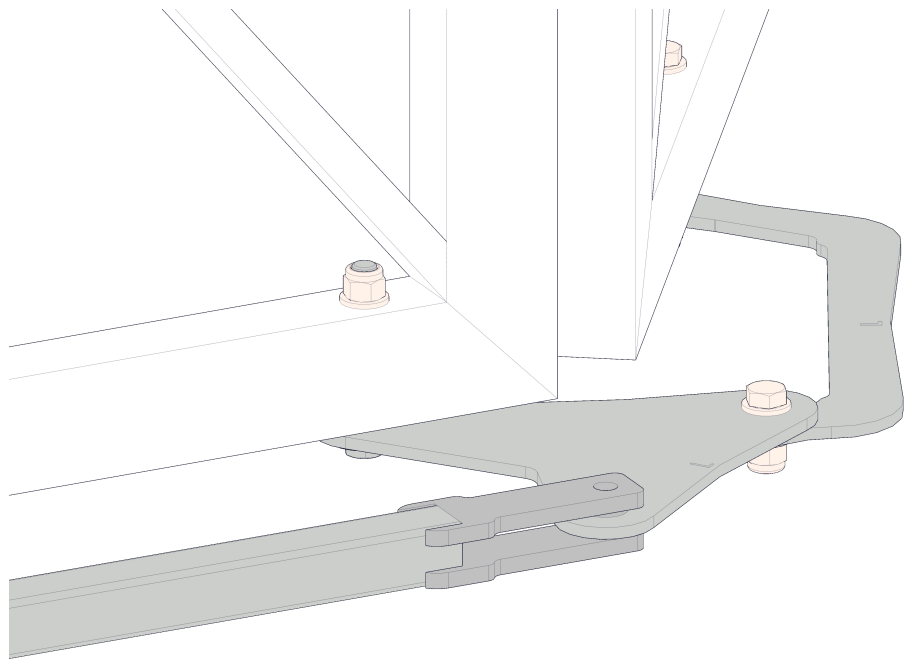
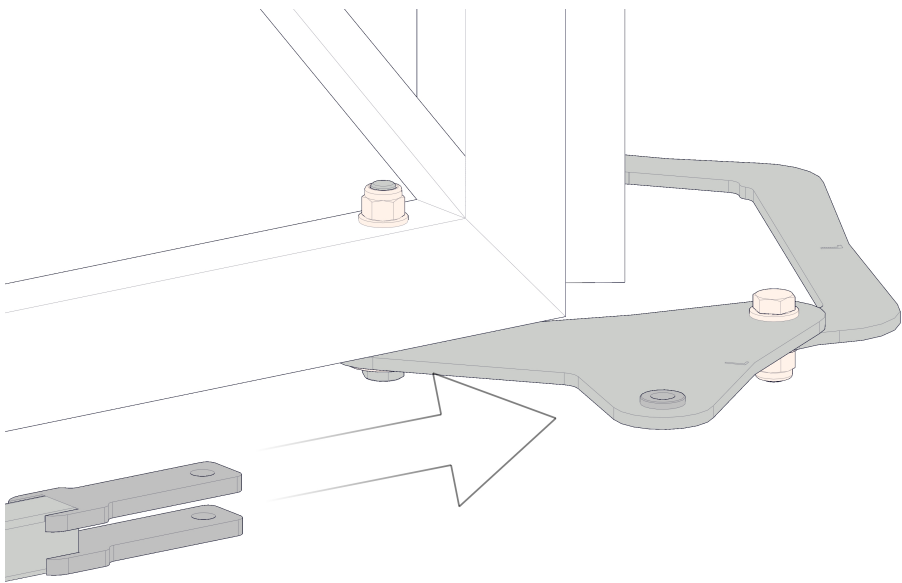
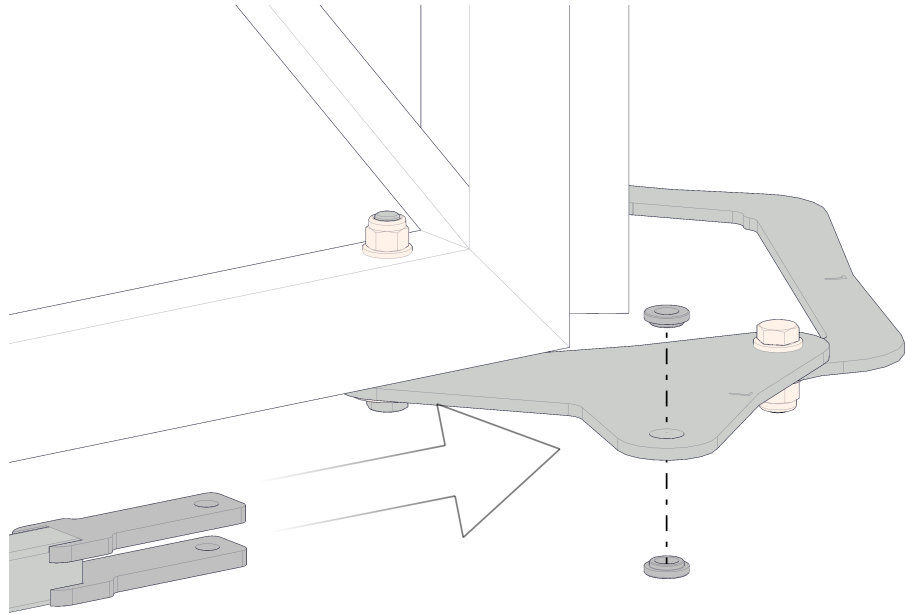




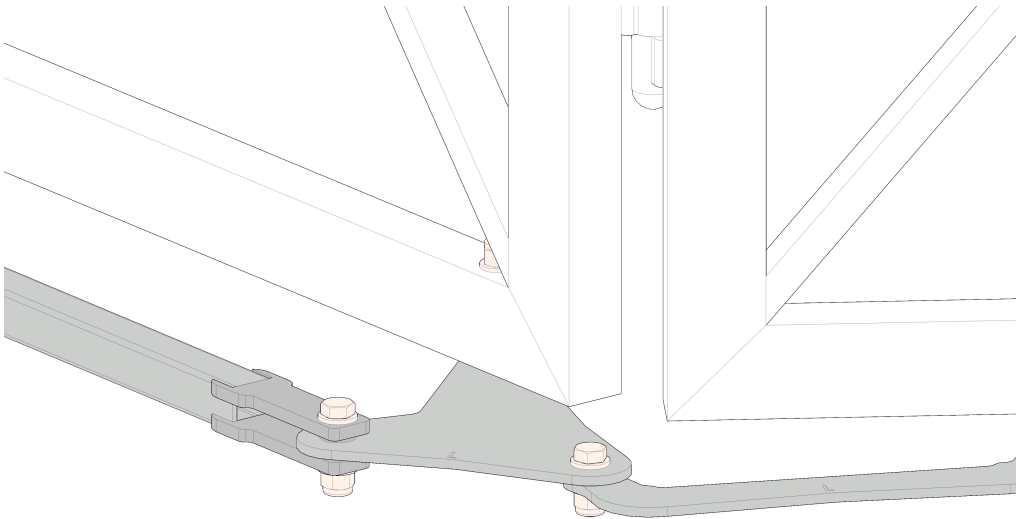
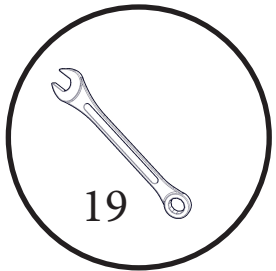
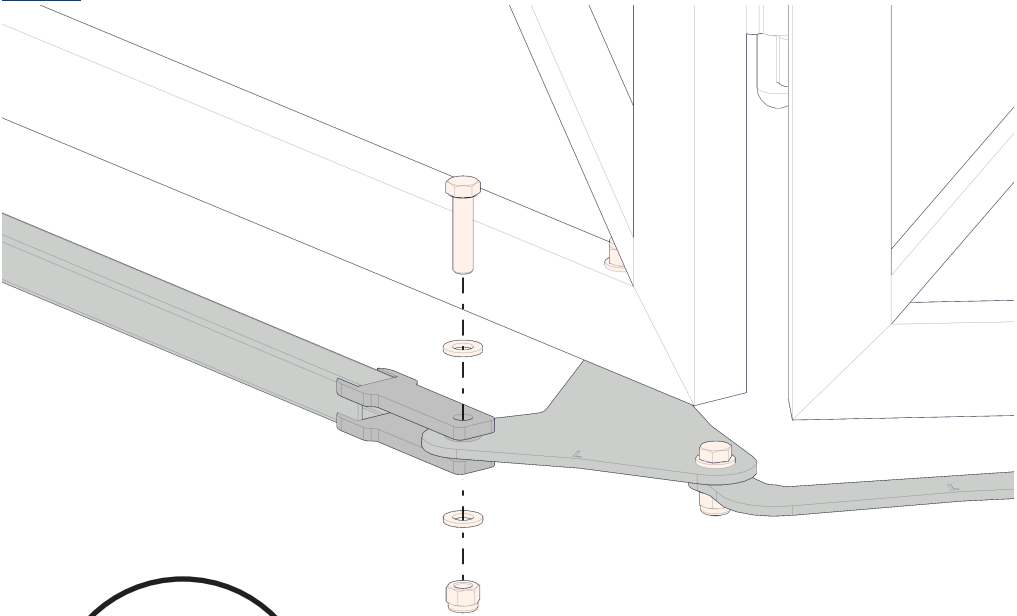
RIGHT >>>

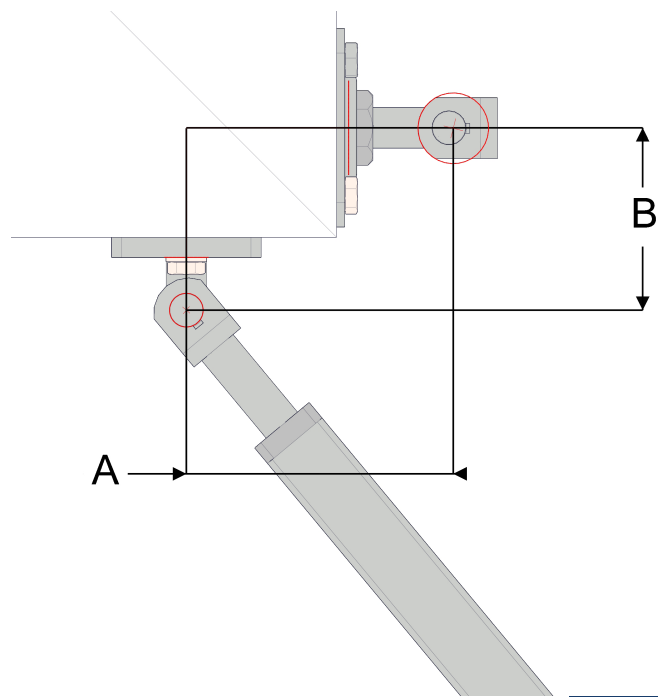
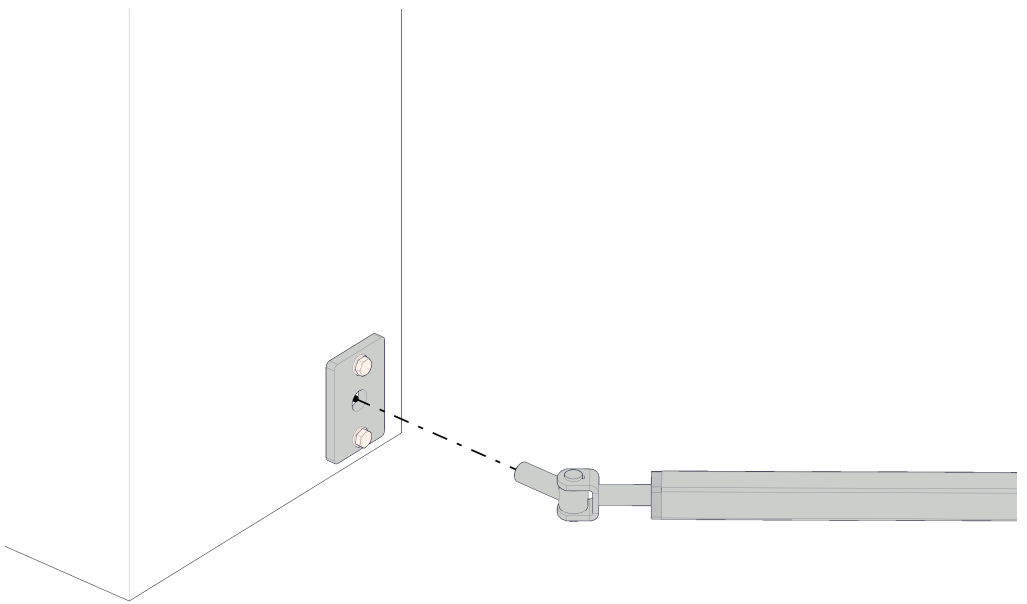
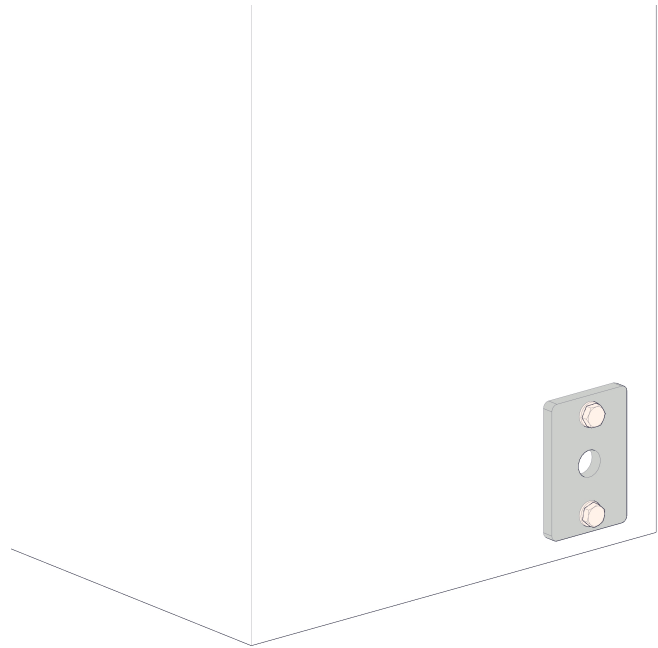
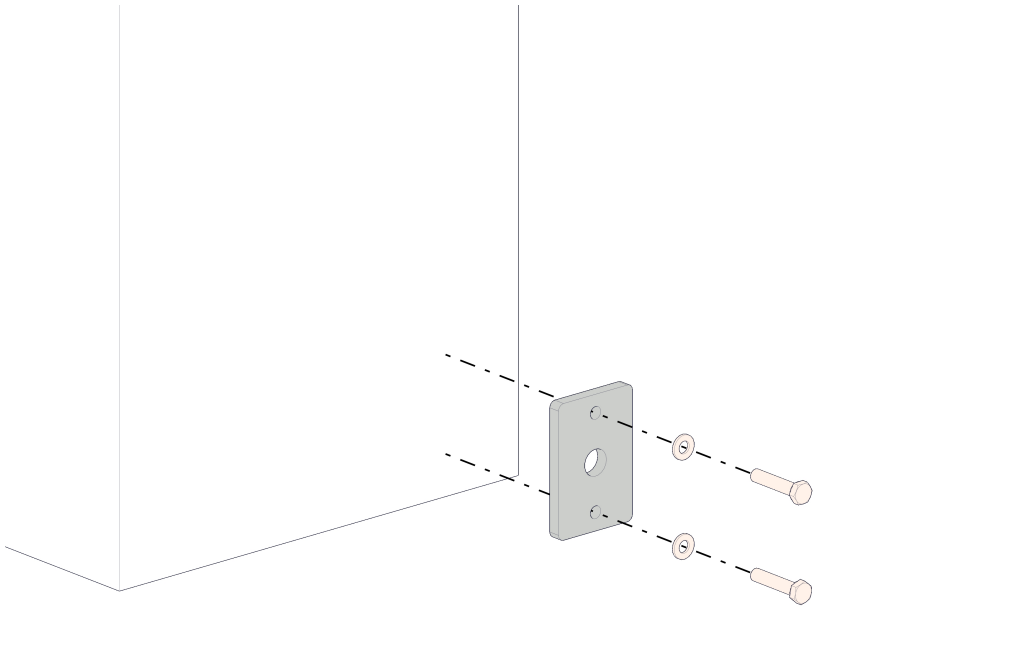


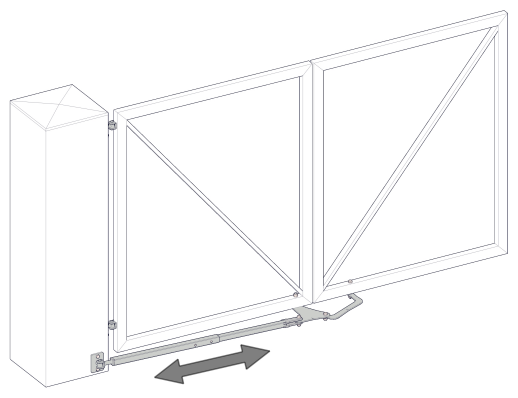




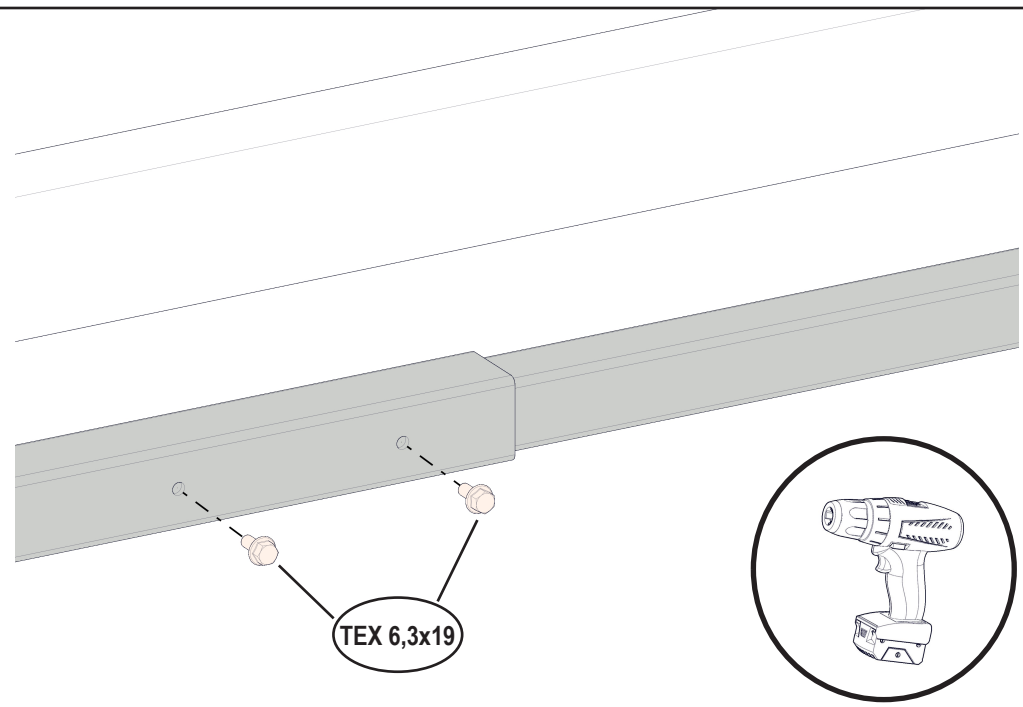
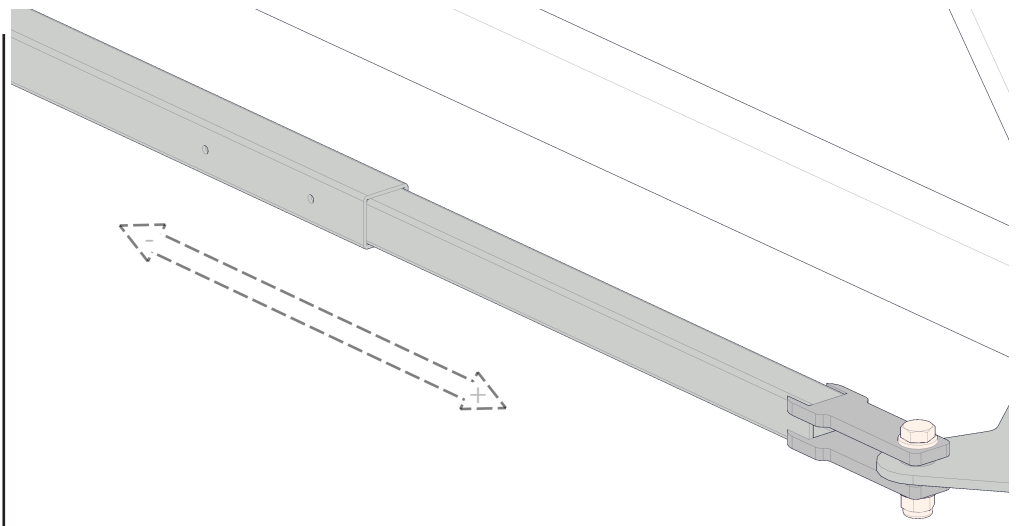
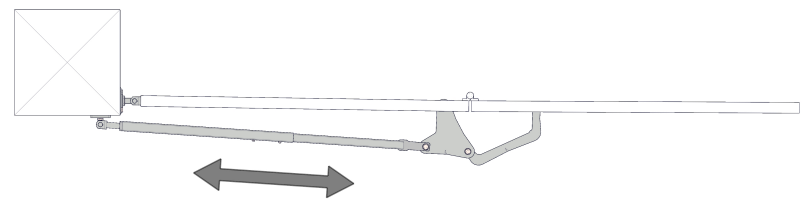
8



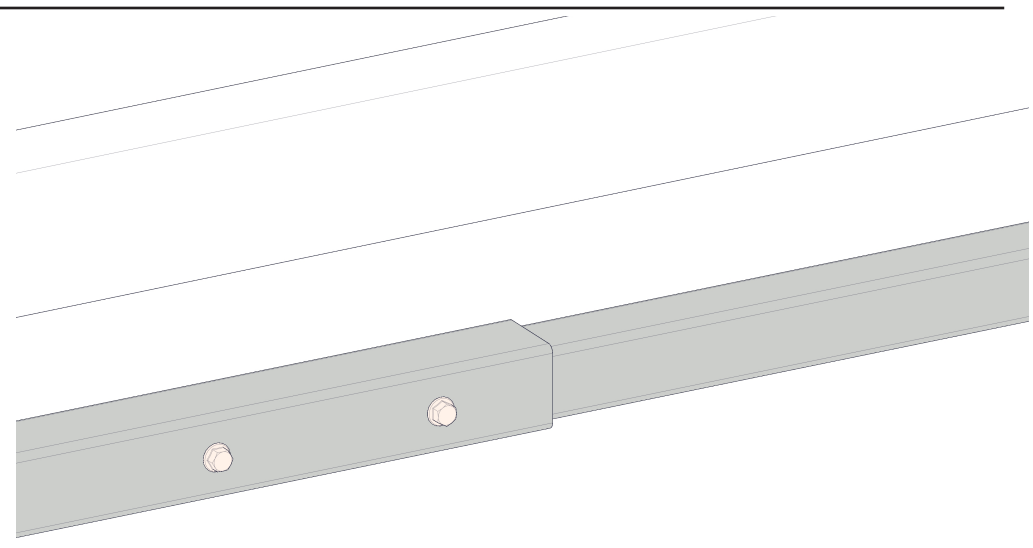


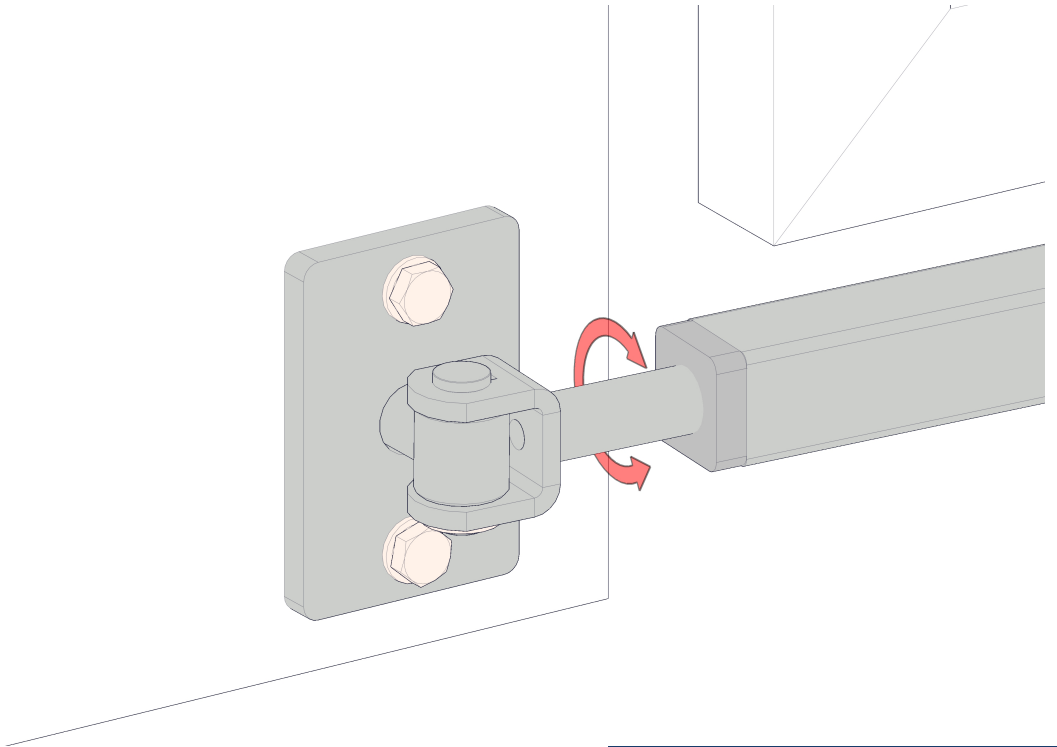
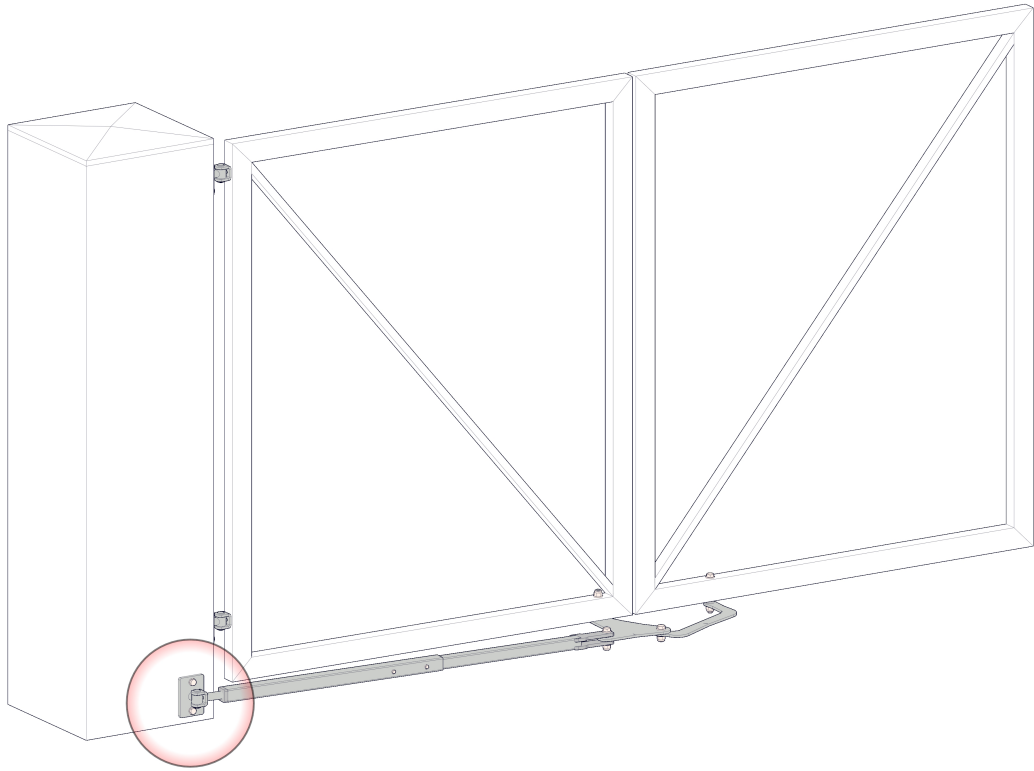


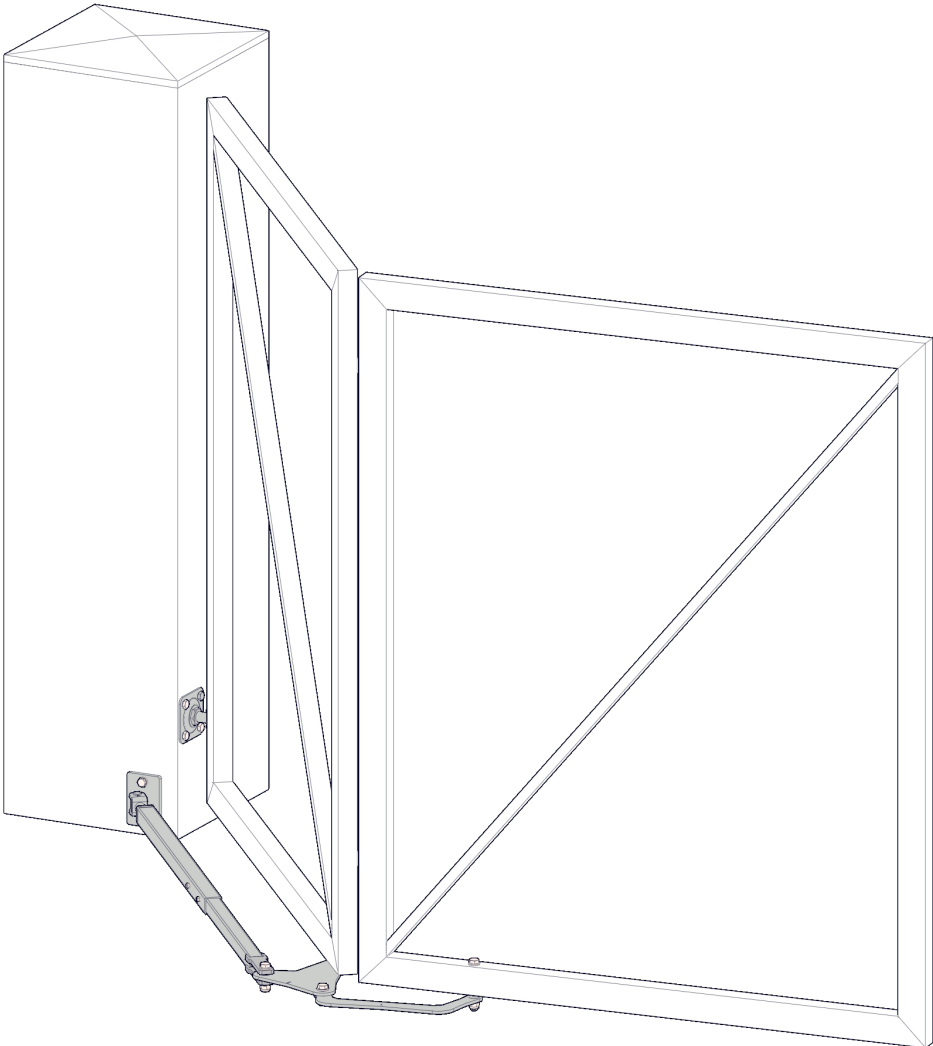
CLOSE



TEX 6,3x19







TWIN DRIVE PLUS (RIGHT)

TWIN DRIVE PLUS 6.0

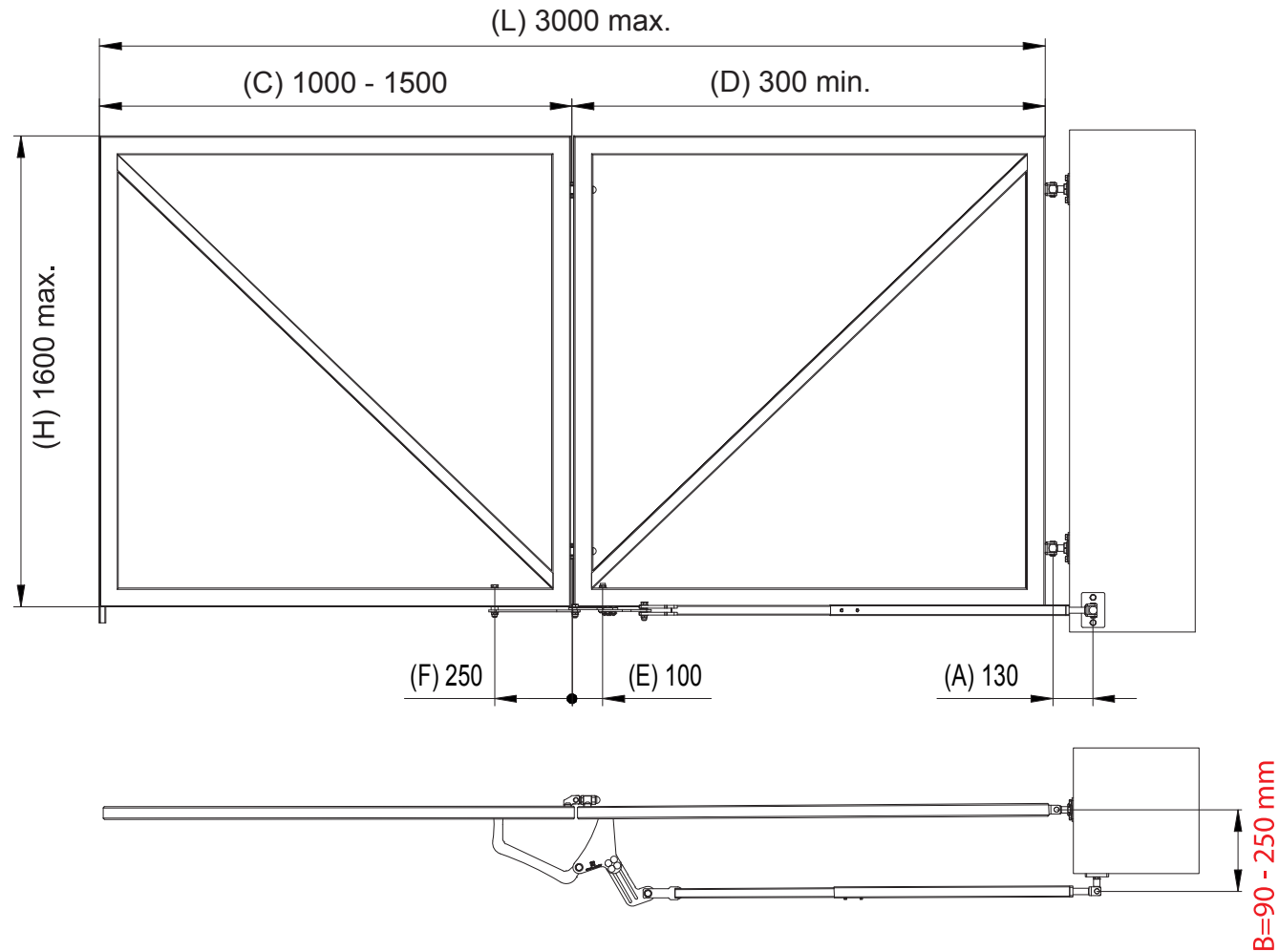
BI-FOLDING DOUBLE LEAF
SWING GATE HARDWARE
SPACE-SAVING FEATURE
MAX. 3,0 m SINGLE LEAF
SINGLE LEAF MAX. 110 kg
HEIGHT MAX. 1,6 m
CENTRAL HINGES INCLUDED

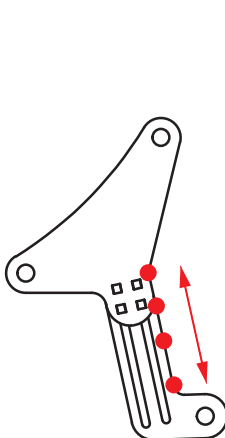
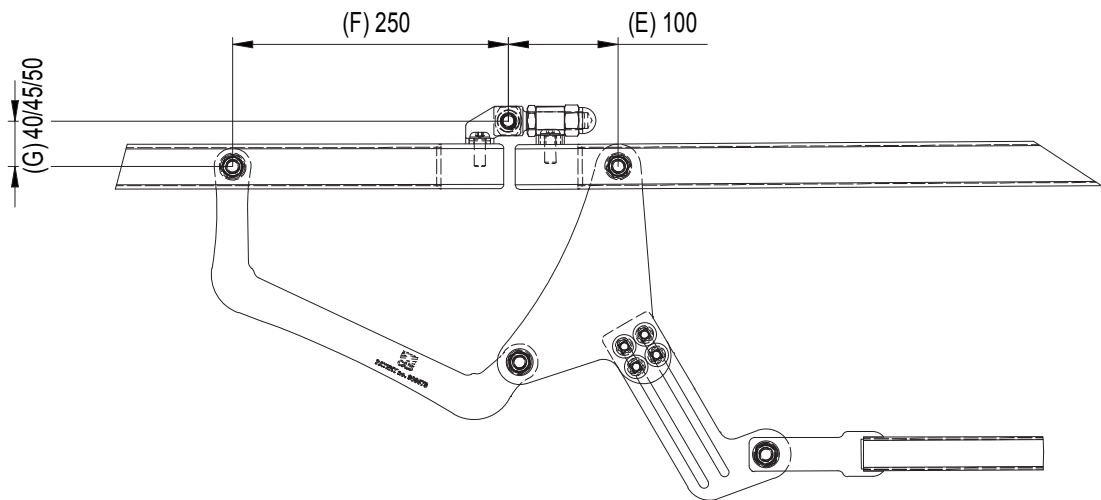
CODE: 1710912

TWIN DRIVE PLUS 3.0

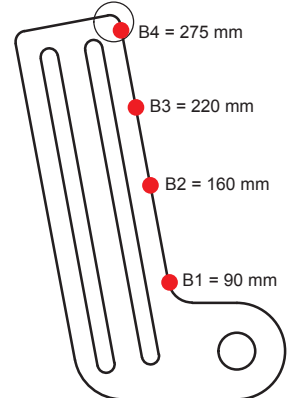
BI-FOLDING SINGLE LEAF
SWING GATE HARDWARE
SPACE-SAVING FEATURE
MAX. 3,0 m SINGLE LEAF
SINGLE LEAF MAX. 110 kg
HEIGHT MAX. 1,6 m
CENTRAL HINGES INCLUDED

CODE: 1710913

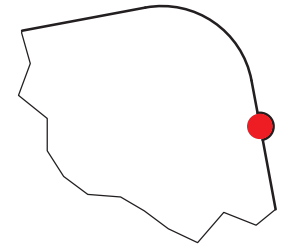




DETAIL: B



DETAIL: B



TWIN DRIVE PLUS (LEFT)

TWIN DRIVE PLUS 6.0

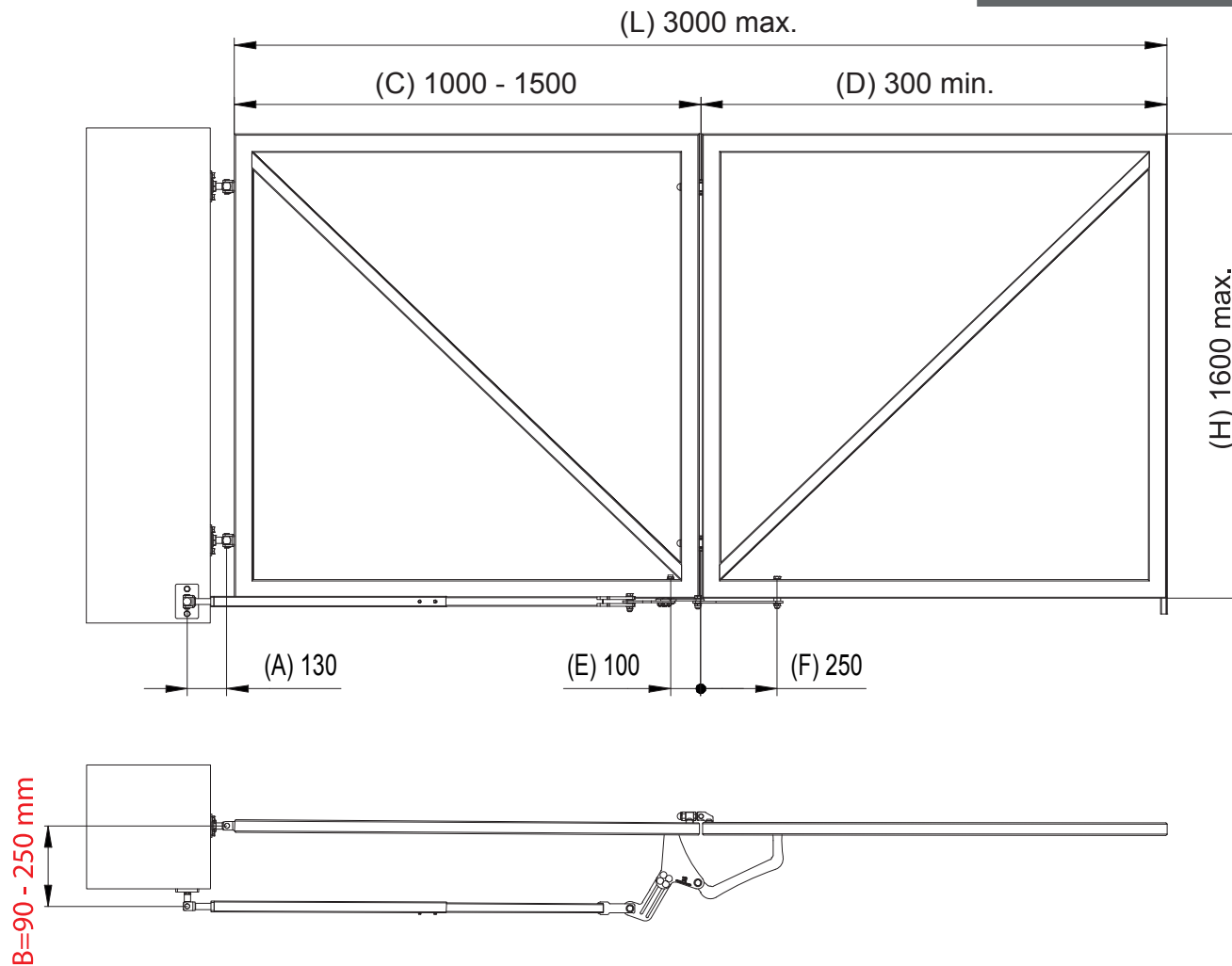
BI-FOLDING DOUBLE LEAF
SWING GATE HARDWARE
SPACE-SAVING FEATURE
MAX. 3,0 m SINGLE LEAF
SINGLE LEAF MAX. 110 kg
HEIGHT MAX. 1,6 m
CENTRAL HINGES INCLUDED

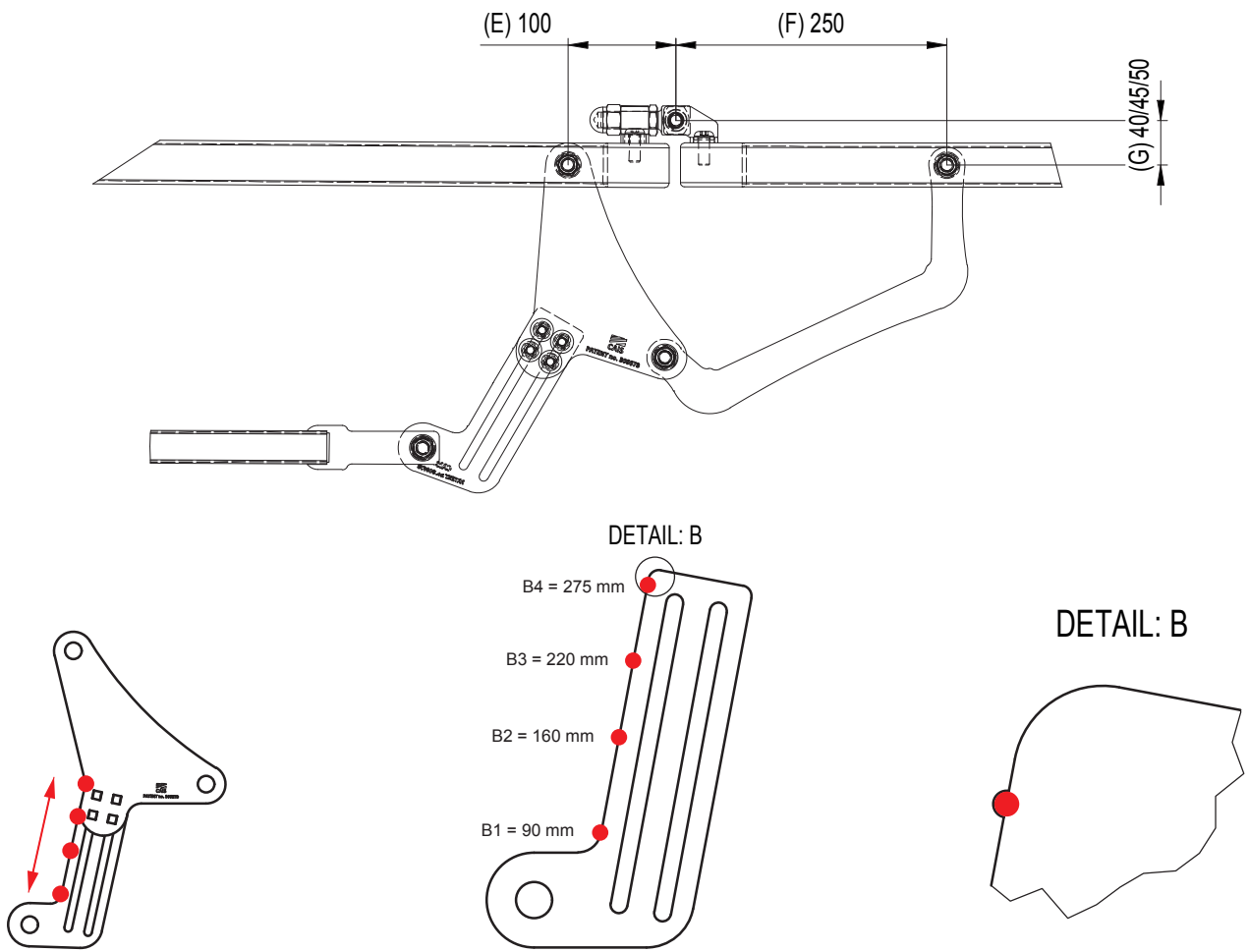
CODE: 1710912

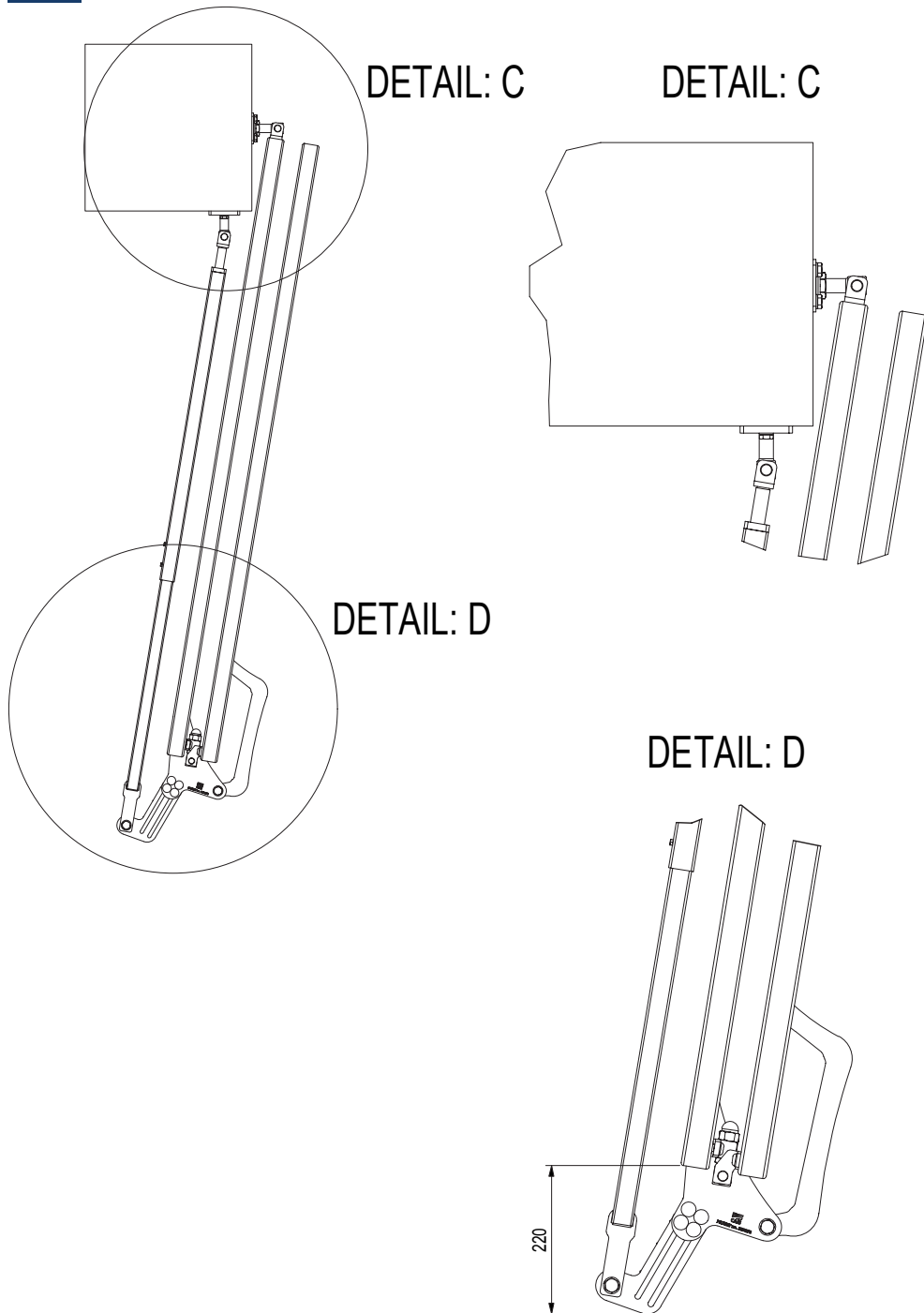
TWIN DRIVE PLUS 3.0

BI-FOLDING SINGLE LEAF
SWING GATE HARDWARE
SPACE-SAVING FEATURE
MAX. 3,0 m SINGLE LEAF
SINGLE LEAF MAX. 110 kg
HEIGHT MAX. 1,6 m
CENTRAL HINGES INCLUDED

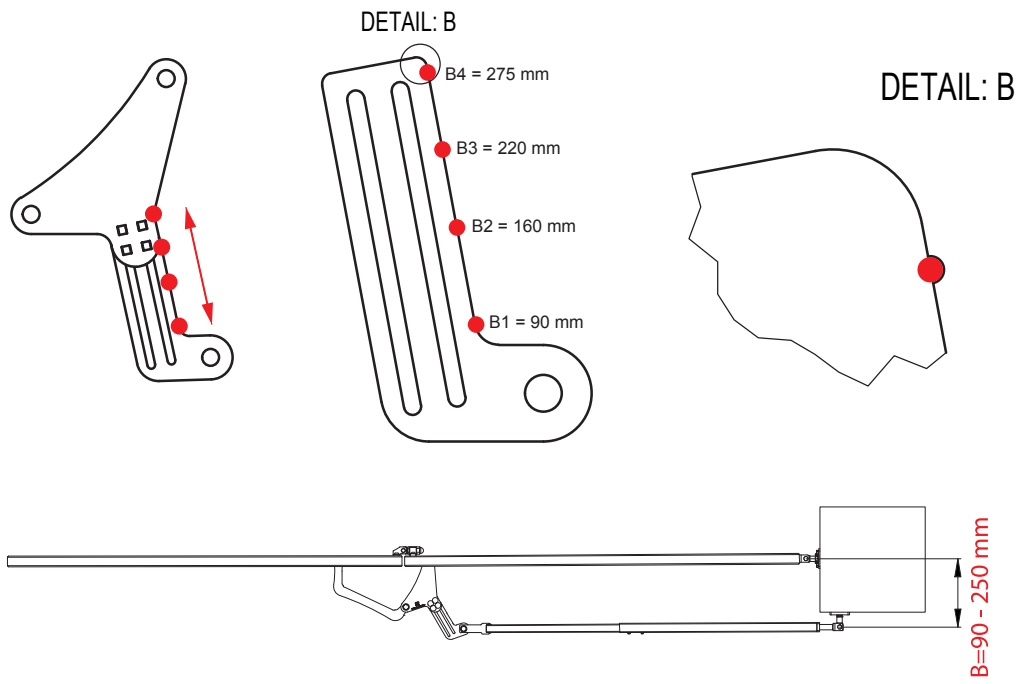
CODE: 1710913







OPENING min. 70° / max. 110°



B1 (90)	
B (mm)	degree (°)
165	70 °
90	90 °
65	110 °

B2 (160)	
B (mm)	degree (°)
235	70 °
160	90 °
140	110 °

B3 (220)	
B (mm)	degree (°)
290	70 °
220	90 °
195	110 °

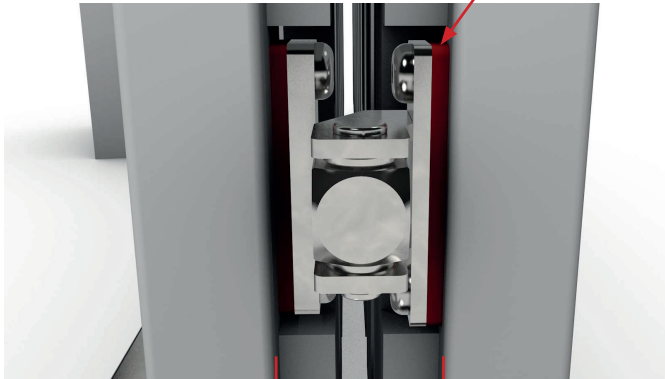
B4 (275)	
B (mm)	degree (°)
355	70 °
275	90 °
250	110 °



40 mm



washer



5 mm

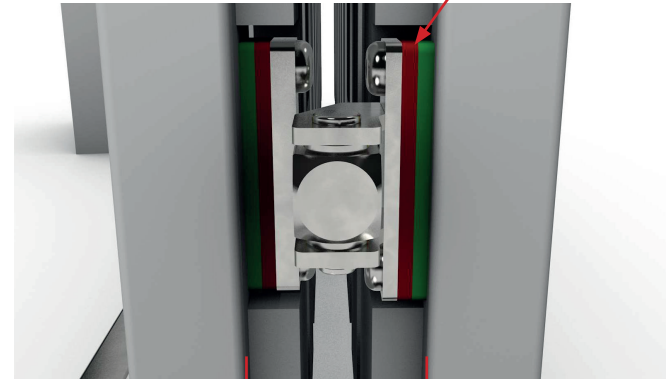
50 mm



washer

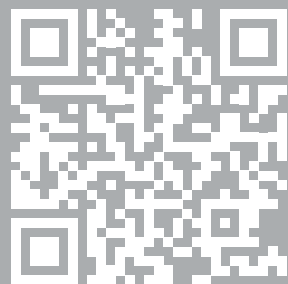


washer



10 mm

60 mm



WWW.CAIS.EU